

KTF-II系列离心通风机

- KTF-II系列离心通风机是我公司在KTF基础上扩展开发出来的全新高效系列离心风机。
- 该系列产品针对大气治理行业的使用需求设计，具备高效率的特点，有利于环保设备的整体能耗降低。能效指标达到1级能效标准。
- 该系列风机标配多种传动方式。其中A式风机覆盖全系列机号，配备变频器+变频电机可以实现参数无极调节，相对于D、C式具备维护简单，体积小的优势。
- 本系列风机有250、280、318、355、400、450、500、560、630、710、800、900、1000、1120、1250共15个机号。

◎用途及使用条件

- 使用场所：可作为环保净化设施、空气处理设施的配套设备；还可广泛用于大中型工厂、民用建筑、大型广场、发电厂等场所。
- 输送的介质要求：输送的介质应为空气或其它无腐蚀性、不易燃易爆、不含粘性物质的气体，气体内所含尘土及硬物颗粒含量不大于 $150\text{mg}/\text{m}^3$ 。如果用于输送小颗粒物料，风机的叶轮使用寿命将缩短。
- 输送的介质温度：标准风机输送的介质温度不大于 80°C 。

◎风机的旋转方向及出风口角度

- 根据叶轮的旋转方向不同，风机分为右旋和左旋。从驱动端正视，叶轮顺时针方向旋转为右旋，以“右”表示；叶轮逆时针方向旋转为左旋，以“左”表示。
- 根据出风口的的位置不同，风机可制作成7种不同角度(见下示意图)，我公司标准产品为 0° 、 90° 、 180° 三种，其余角度可根据客户需要制作。

注:图中的箭头表示叶轮的旋转方向。

KTF-II Series Centrifugal Fan

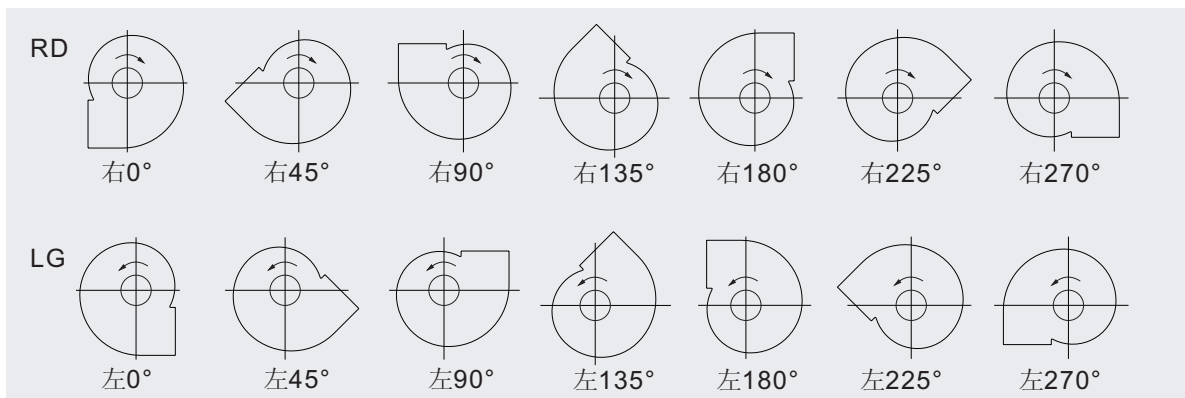
- KTF-II series of fans are updated high efficiency fans based on KTF series fans.
- This series of fans are designed to satisfy requirement of atmosphere protection industry, with high efficiency, energy-consumption of complete environmental equipment is reduced by using this series of fans with class I energy-saving standard.
- This series of fans have many driven types, A type direct driven fans cover all sizes with transducer and frequency conversion motor which can achieve at multi-speeds adjustable, A type fans are easier for maintenance than D & C type, and their volume is smaller too.
- Model: 250,280,315,355,400,450, 500, 560, 630, 710, 800, 900, 1000, 1120, 1250.

◎Usage & Service Condition

- Operation place: Widely used for ventilation of large plants, civil construction, large square, and power plant, etc. And it can also be applied as the corollary equipment of air handling devices and environmental purification facilities.
- Transmission medium requirements: The transmission medium should be air or other gas without corrosiveness, inflammability and explosibility, and not contain stickup. Dust and other particles included in the air can not be beyond $150\text{mg}/\text{m}^3$. If used for transmission particles, the life of impeller will be shortened.
- Transmission medium temperature: below 80°C with standard structure.

◎Direction of rotation & outlet angle

- According to the impeller direction of rotation, the fan has right-handed rotation and left-handed rotation. Look from the side of transmission, if the impeller turn clockwise, the fan is right-handed rotation; if the impeller turn anticlockwise, the fan is left-handed rotation.
- According to the outlet of fan, there are seven different blowing angles (showed as followed sketch), our standard products is $0^\circ, 90^\circ, 180^\circ$, other angles can be made as per customer's special requirements.
Remark: The arrows in the figure indicate impeller direction of rotation.



◎ 传动方式及结构形式

KTF-II 系列风机主要采用A式、C式和D式这三种传动方式，也可以根据客户的要求设计制作其他传动方式的风机。

- A式：电机直联传动。结构紧凑、维护简单。
- C式：皮带传动。其优点是可以通过改变转速的方法对风机性能参数进行调整，用以弥补选型误差，但皮带是易损件，需定期更换。
- D式：联轴器传动。D式相比于C式，结构较为简化紧凑，减小机体，但不能改变风机转速。

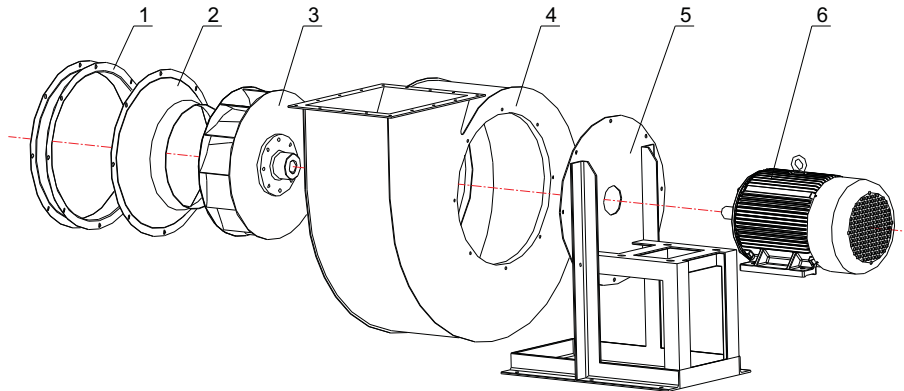
◎ Driven Type & Structure

Three main driven types-A, C, and D are optional for KTF-II series of fans, other driven types can be specially made according to customer's demands.

- A type: motor direct driven, with the advantages of simple structure and easy to maintain.
- C type: belt driven. The performance parameter can be adjusted by changing the speed of the belt to make up the fan selection deviation, but the belt is wearing part which should be replaced regularly.
- D type: coupling driven. Compare to C type, D type is simpler and smaller, but the fan speed can not be changed.

A式传动风机部件分解图(250A-630A)

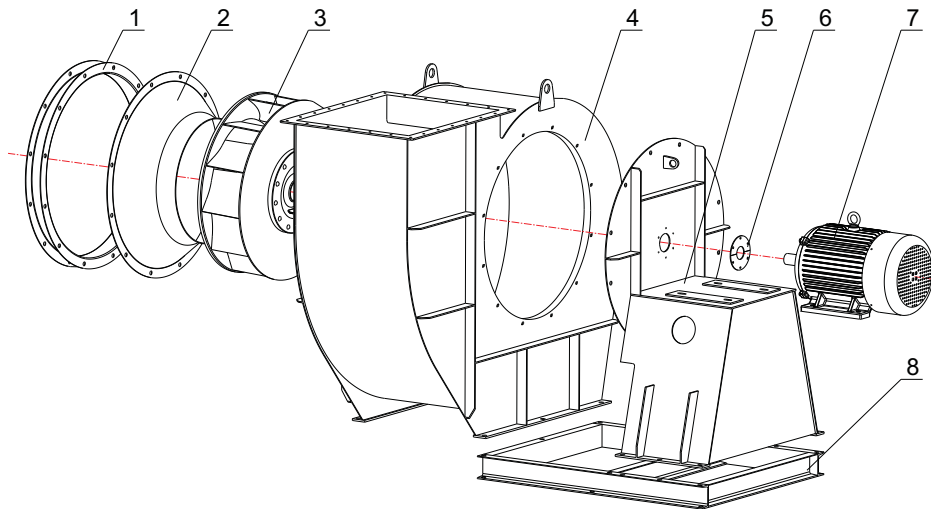
Explode view of fans with A type of driven (250A-630A)



1. 进风口法兰 2. 进风口 3. 叶轮 4. 机壳 5. 支架 6. 电机
1. Inlet flange 2. Inlet cone 3. Impeller 4. Casing 5. Frame 6. Motor

A式传动风机部件分解图(710A-1250A)

Explode view of fans with A type of driven (710A-1250A)



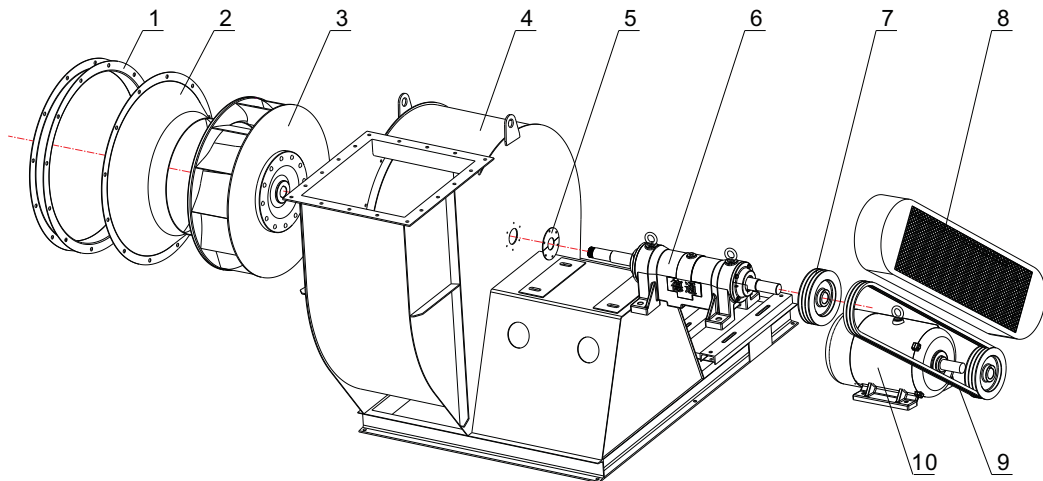
1. 进风口法兰 2. 进风口 3. 叶轮 4. 机壳 5. 支架 6. 密封盖板 7. 电机 8. 底座
1. Inlet flange 2. Inlet cone 3. Impeller 4. Casing 5. Frame 6. Sealing cover 7. Motor 8. Base

注：图中所示风机部件可能会根据订货要求或使用场合的不同而作适当变化，具体以实物为准。

Remark: The fan components shown in the figure may vary depending on the requirements of the order or the use of the equipment, depending on kind prevail.

C式传动风机部件分解图

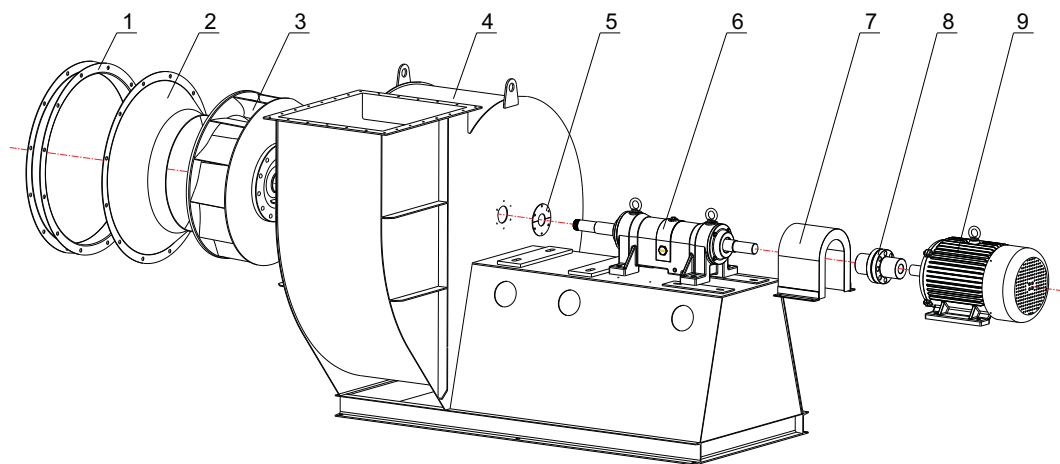
Explode view of fans with C type of driven



1. 进风口法兰 2. 进风口 3. 叶轮 4. 机壳 5. 密封盖板 6. 轴承座 7. 皮带轮 8. 皮带罩 9. 三角皮带 10. 电机
1. Inlet flange 2. Inlet cone 3. Impeller 4. Casing 5. Sealing cover 6. Bearing block 7. Belt pulley 8. Belt cover 9. V belt 10. Motor

D式传动风机部件分解图

Explode view of fans with D type of driven



1. 进风口法兰 2. 进风口 3. 叶轮 4. 机壳 5. 密封盖板 6. 轴承座 7. 防护罩 8. 联轴器 9. 电机
1. Inlet flange 2. Inlet cone 3. Impeller 4. Casing 5. Sealing cover 6. Bearing block 7. Protective cover 8. Coupling 9. Motor

注：图中所示风机部件可能会根据订货要求或使用场合的不同而作适当变化，具体以实物为准。

Remark: The fan components shown in the figure may vary depending on the requirements of the order or the use of the equipment, depending on kind prevail.

◎ 注意事项

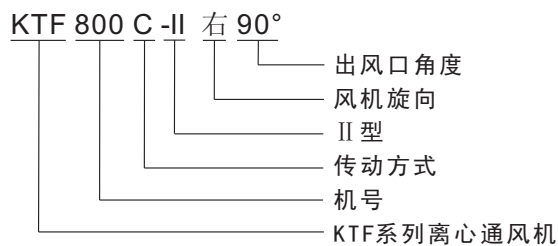
- 当使用环境对风机的振动有较高的要求时（如风机安装在楼板上），可配套使用减振器。选型时应当注意：标准风机的配置是不包括减振器的，用户可自行购置减振器，也可在订购风机时注明该风机加配减振器。
- 可根据用户需求配置风机附属机构，如调节机构（调节门及控制连杆）；控制机构（控制柜、起动柜及操作箱）；保护机构（各种测温及测振仪表，管路系统的软连接及膨胀节等）；其他类似于消声器、电动执行器及液力耦合器等等，都需要订货时加以注明。
- 风机用于输送高温介质时（介质温度大于80℃），订货时应加以注明。

◎ 订货事项

选择好需要的风机以后,请参照以下几点订购:

- 风机型号：包括机号、旋向、出风口角度以及传动方式等。
- 在标准条件下的运行点性能参数，包括风机的流量、全压（静压）以及转速。
- 电机的品牌、频率、电压、绝缘等级以及防护等级。
- 采购数量。
- 有无其它特殊要求，如加配减振器或风机附属机构等。

◎ 风机型号说明



◎ Attention

- If have higher requirement for fan vibration (like fan assembled on floor slab), can match shock absorber, standard fan without absorber, customer need buy it by himself, also can mark need absorber when place order.
- Subsidiary accessories can be equipped according to customer's special demands, like adjust mechanism (adjust door and control link rod), control mechanism (control cabinet, starting cabinet and operation box), protection mechanism (various temperature measurement instrument, vibration measuring instrument, and soft connection and expansion joint of ducting system, etc), and other similar to the muffler, electric actuators and hydraulic couplings, etc. All the subsidiary accessories requirement need to be marked when ordering.
- If the fan will be used for conveying high temperature medium (medium temperature above 80℃), it should be indicated when ordering.

◎ Attention of ordering

After choose fan, please refer to below points:

- Fan model: include fan size, rotation, outlet angle and driving mode etc.
- Operating parameter under standard condition, include airflow, total pressure(static pressure) and speed.
- Motor brand, voltage, frequency, insulation class and protection class should be listed.
- Purchase quantity
- If there is any special demands, like adding absorber or fan accessories .

◎ Designation of products

angle
rotation direction
II series
driving mode
model of fan
KTF series

◎ 技术说明

- 本资料中提供的风机性能参数是在标准条件下的数据：即介质为标准大气压下的洁净空气；温度等于20℃；空气密度等于1.2kg/m³。如果风机是在非标准条件下使用时，应换算为标准条件下的参数再进行选型。
- 性能曲线图中的功率曲线是指风机的轴功率，选配电机功率时需考虑以下安全系数：

- ≤0.5kW × 1.5
- >0.5~1kW × 1.4
- >1~2kW × 1.3
- >2~5kW × 1.2
- >5kW × 1.15

- 性能曲线图选型示例

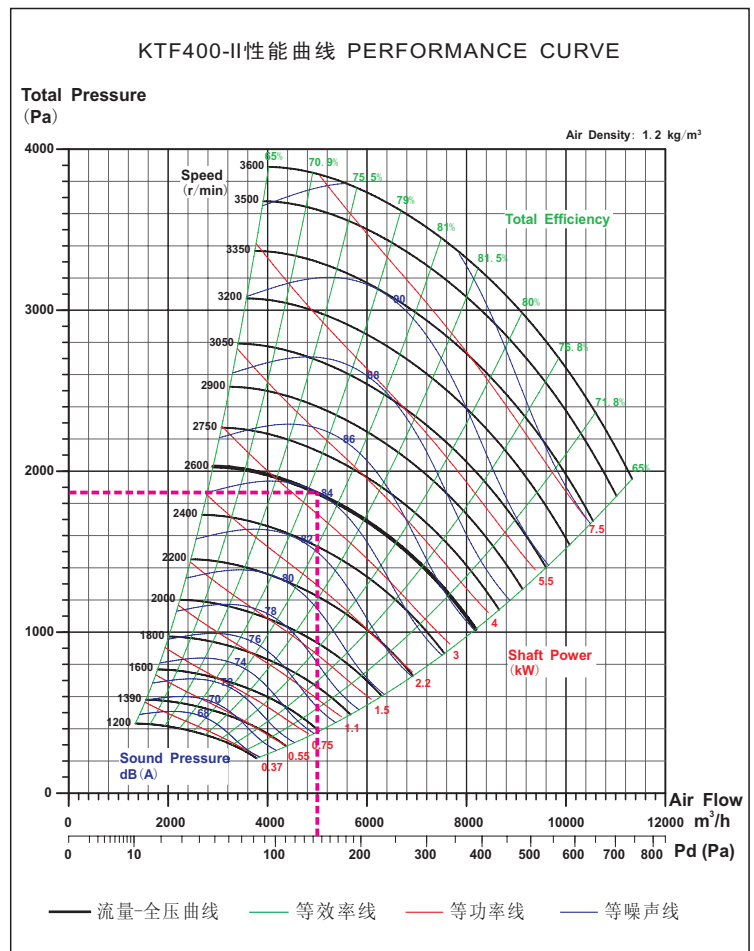
流量(Q) 5000 m³/h
 全压(Pt) 1870 Pa
 动压(Pd) 144 Pa
 静压(Ps)=全压(Pt) - 动压(Pd)
 = 1870-144=1726 Pa
 转速(Speed) 2600 r/min
 全压效率(Total Efficiency) 79.5%
 轴功率(Shaft Power) 3.2 kW
 电机功率(Motor Power)
 3.2 kW×1.2=3.84 kW 取4kW
 噪声(Sound Pressure) 84dB(A)

◎ Technical note

- The performance parameter showed is date under standard condition: medium is clear air under normal atmosphere, temperature is 20℃ , air density is 1.2kg/m³. If fan used in nonstandard condition, should exchange to normal data, then do model selection.
- The power on the performance curve are shaft power. Motor power is decided by Safety factor.

- ≤0.5kW × 1.5
- >0.5~1kW × 1.4
- >1~2kW × 1.3
- >2~5kW × 1.2
- >5kW × 1.15

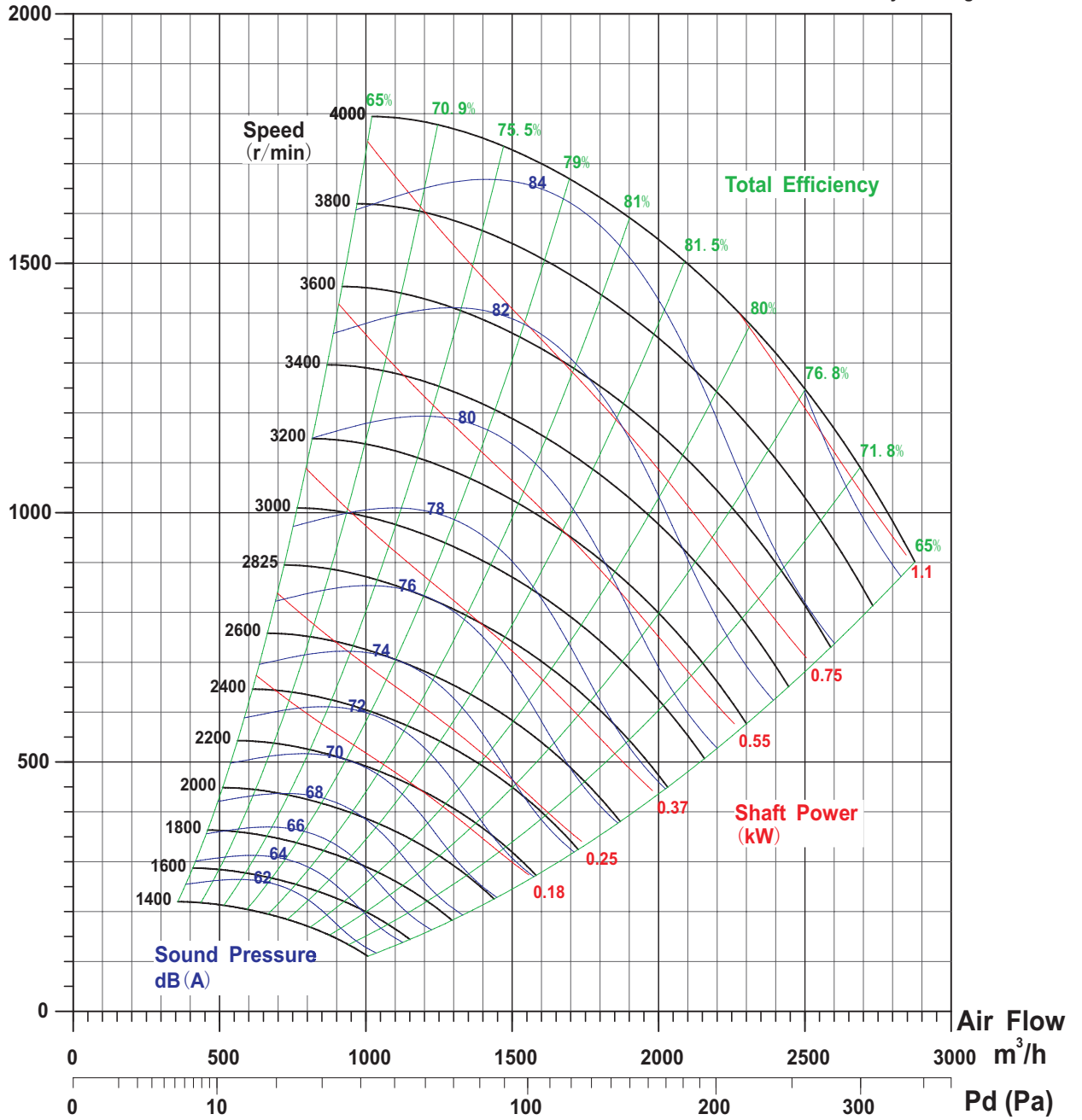
- Example of curve reading



KTF250-II性能曲线 PERFORMANCE CURVE

Total Pressure
(Pa)

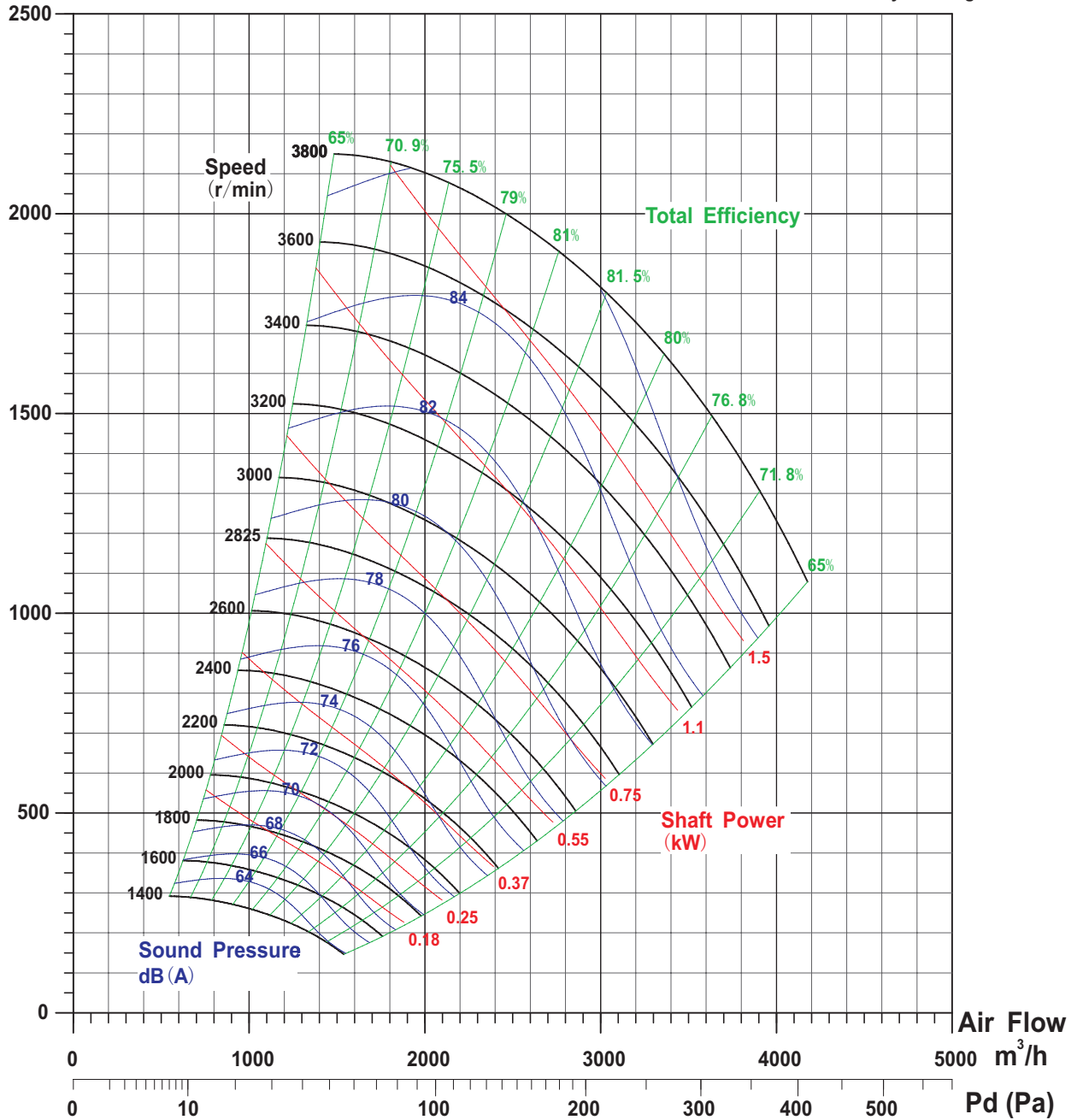
Air Density: 1.2 kg/m³



KTF280-II性能曲线 PERFORMANCE CURVE

Total Pressure
(Pa)

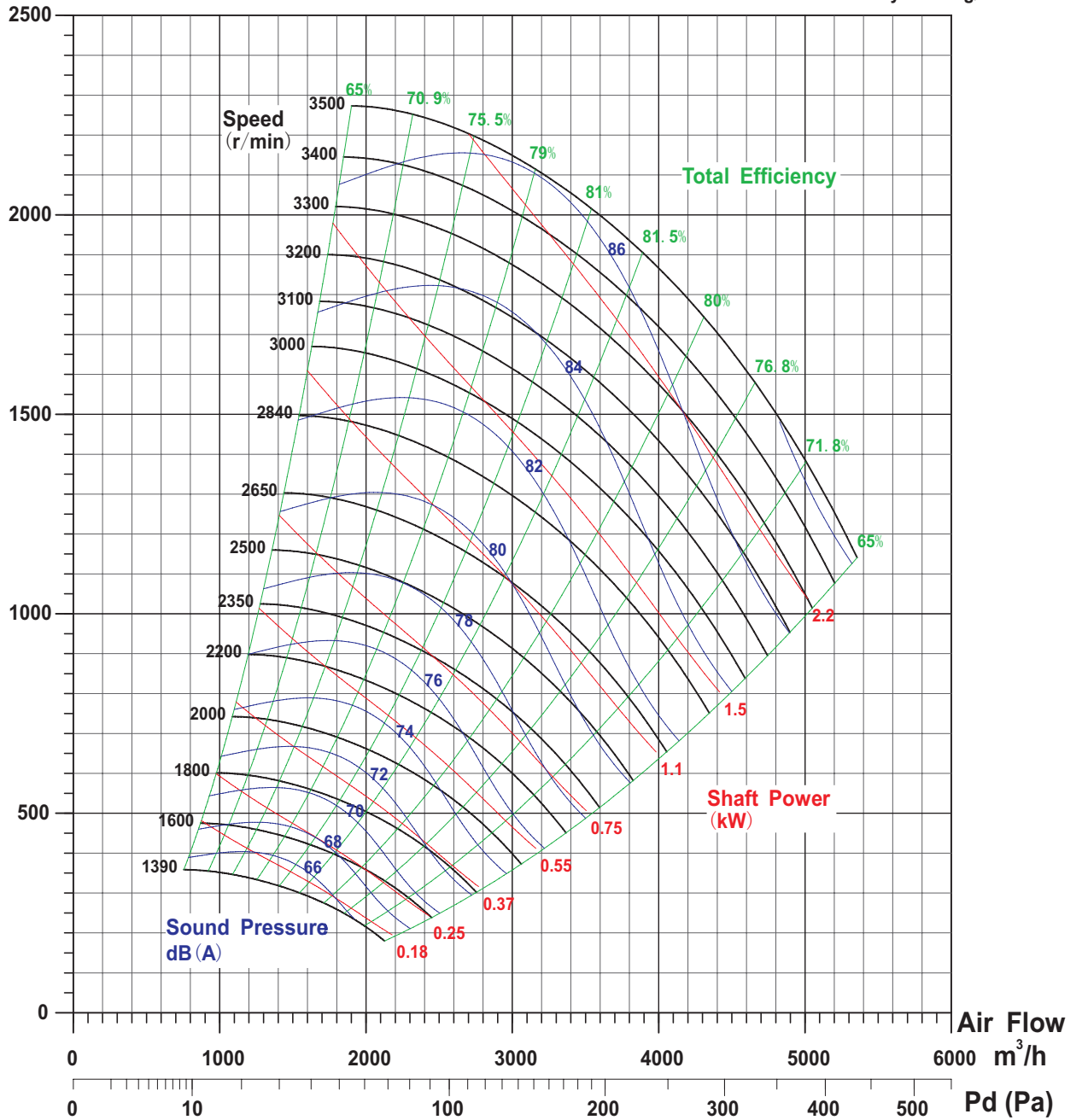
Air Density: 1.2 kg/m³



KTF315-II性能曲线 PERFORMANCE CURVE

Total Pressure
(Pa)

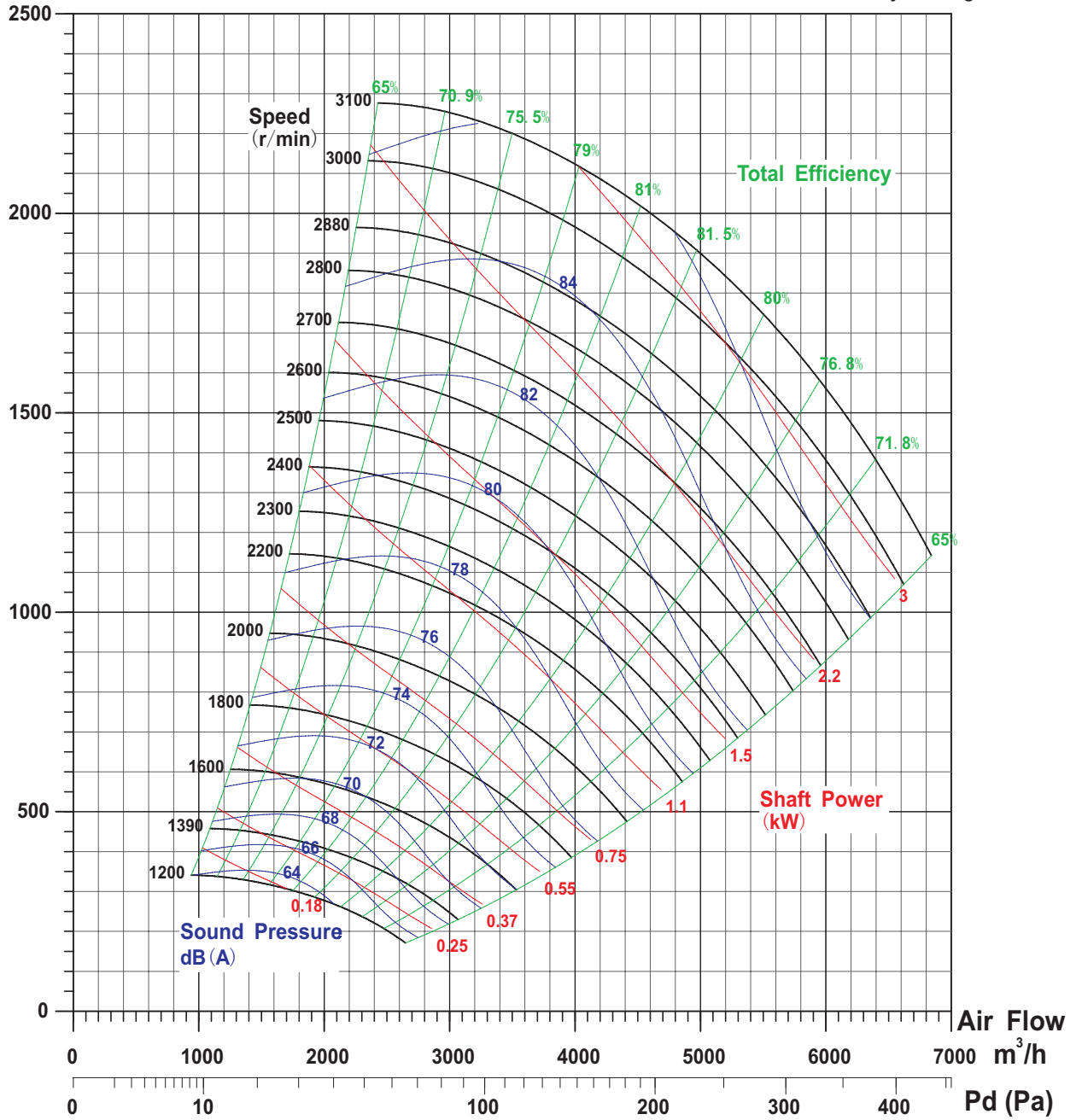
Air Density: 1.2 kg/m³



KTF355-II性能曲线 PERFORMANCE CURVE

Total Pressure
(Pa)

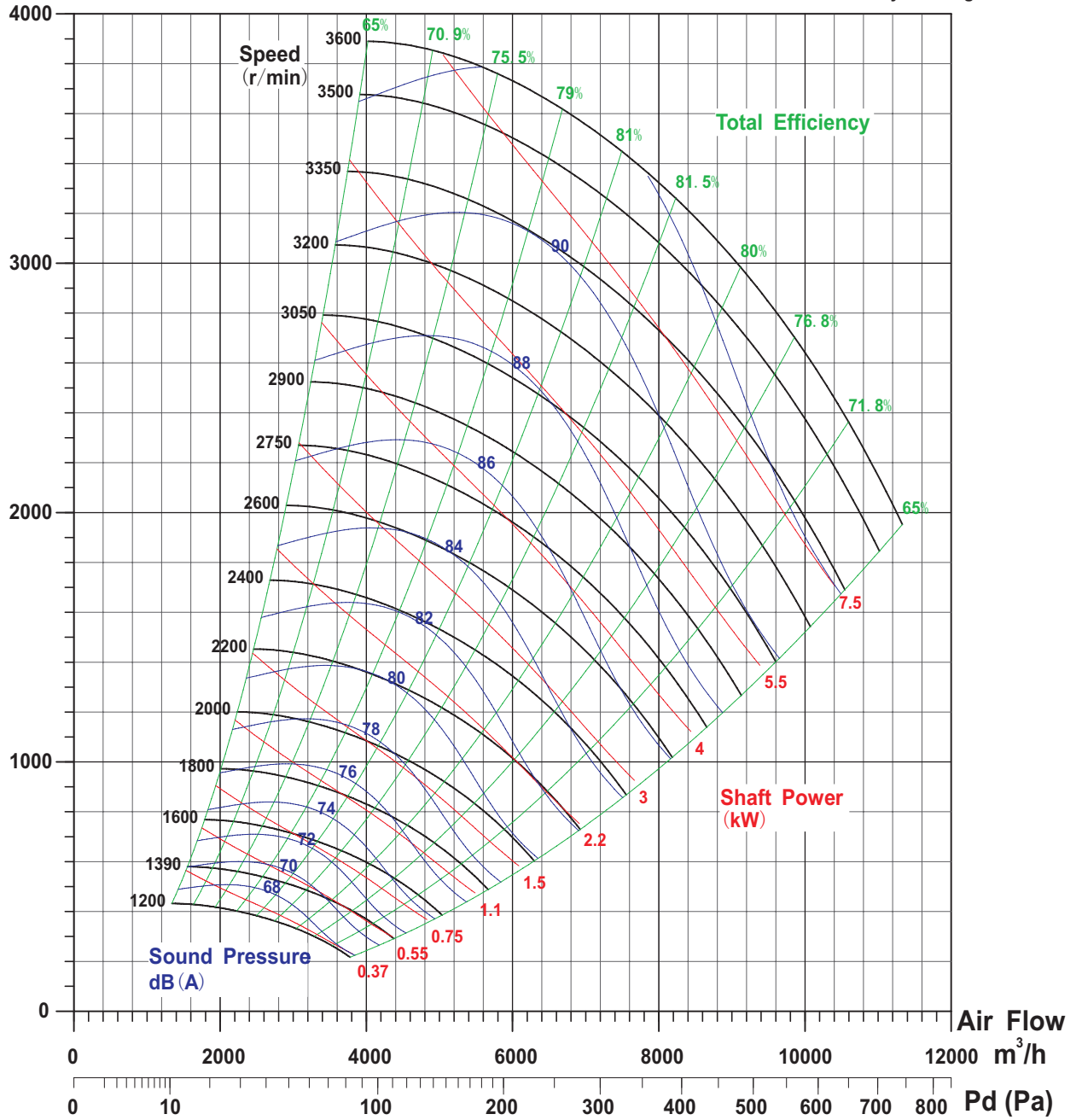
Air Density: 1.2 kg/m³



KTF400-II性能曲线 PERFORMANCE CURVE

Total Pressure
(Pa)

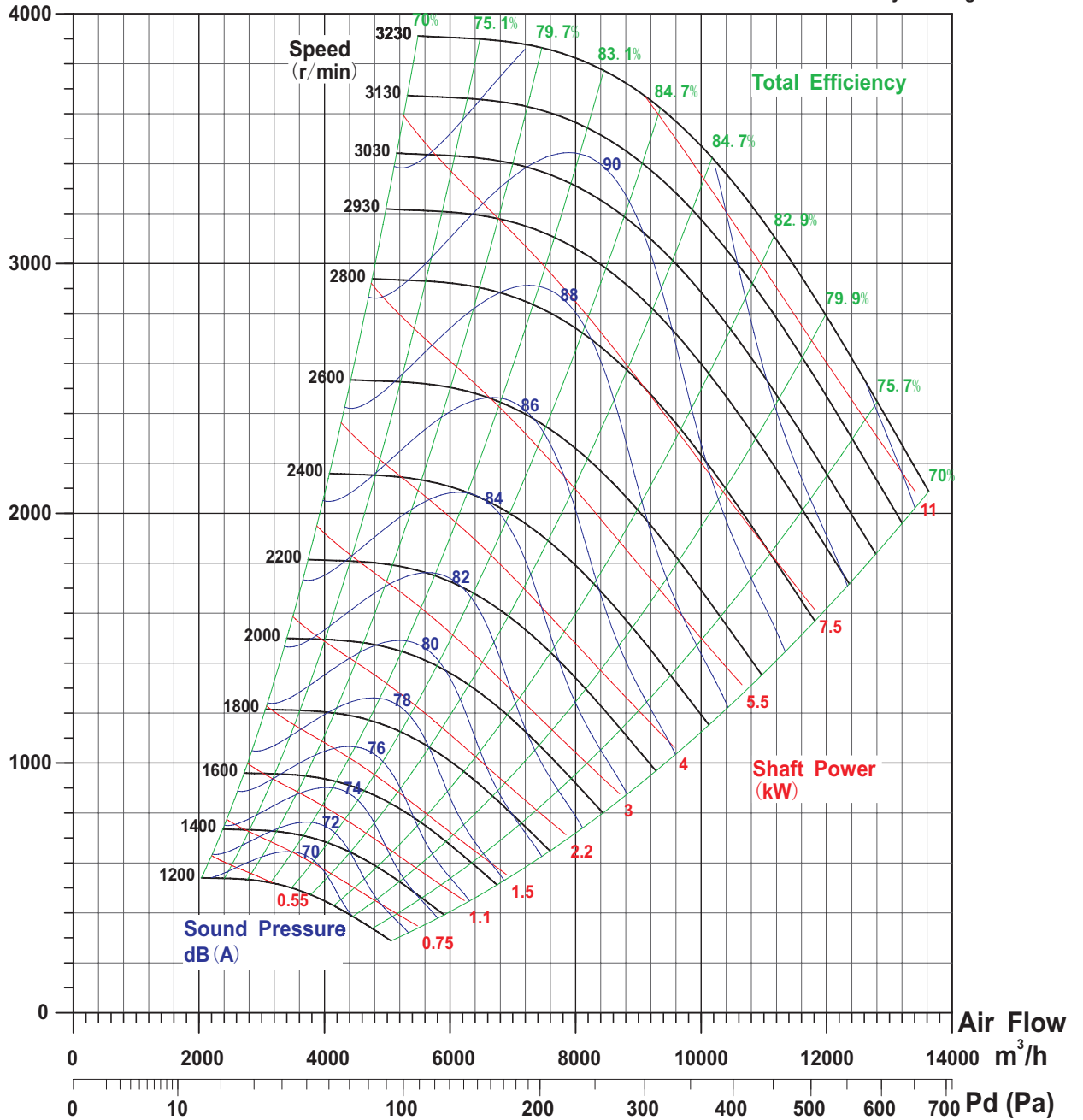
Air Density: 1.2 kg/m³



KTF450-II性能曲线 PERFORMANCE CURVE

Total Pressure
(Pa)

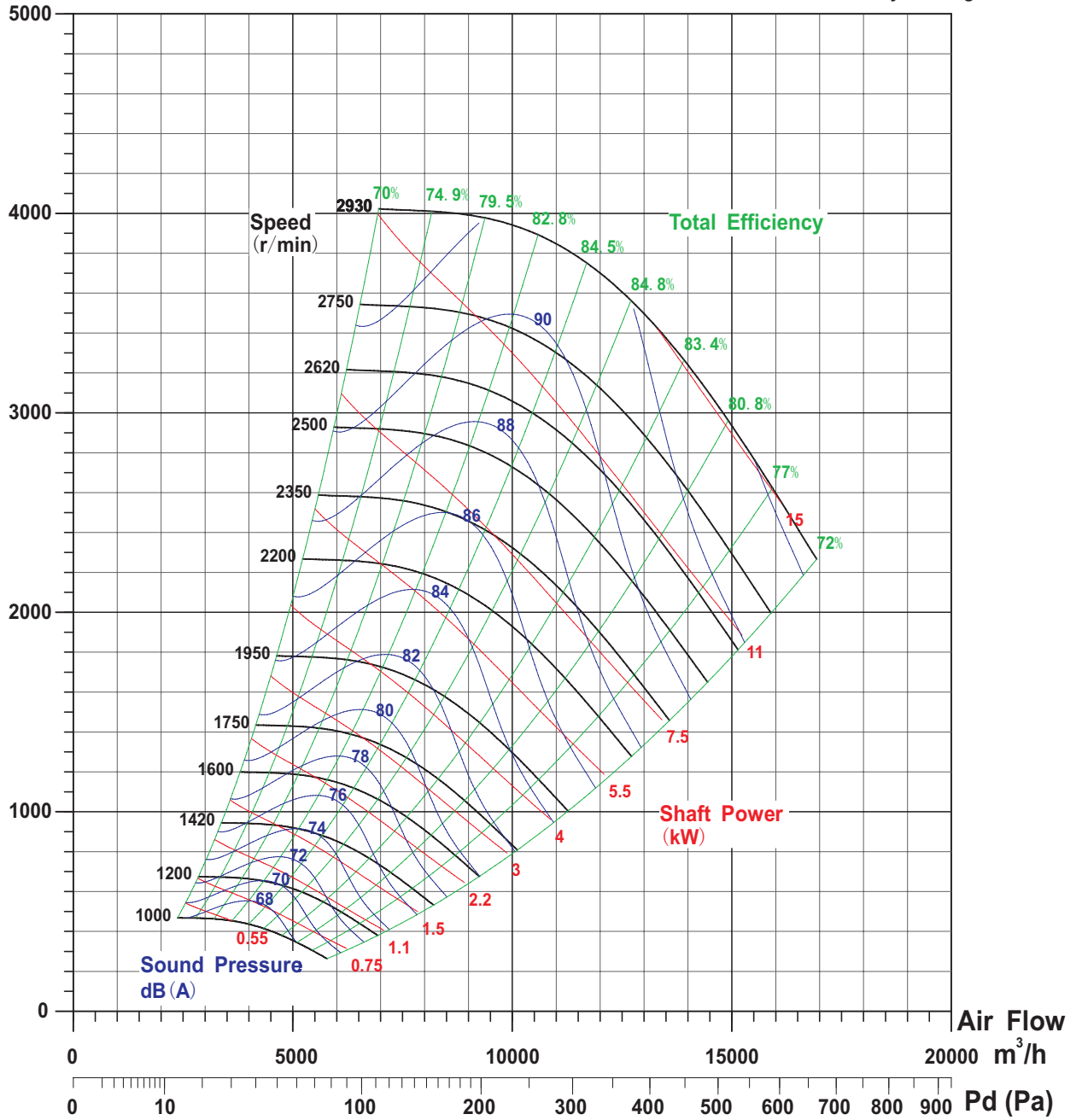
Air Density: 1.2 kg/m³



KTF500-II性能曲线 PERFORMANCE CURVE

Total Pressure
(Pa)

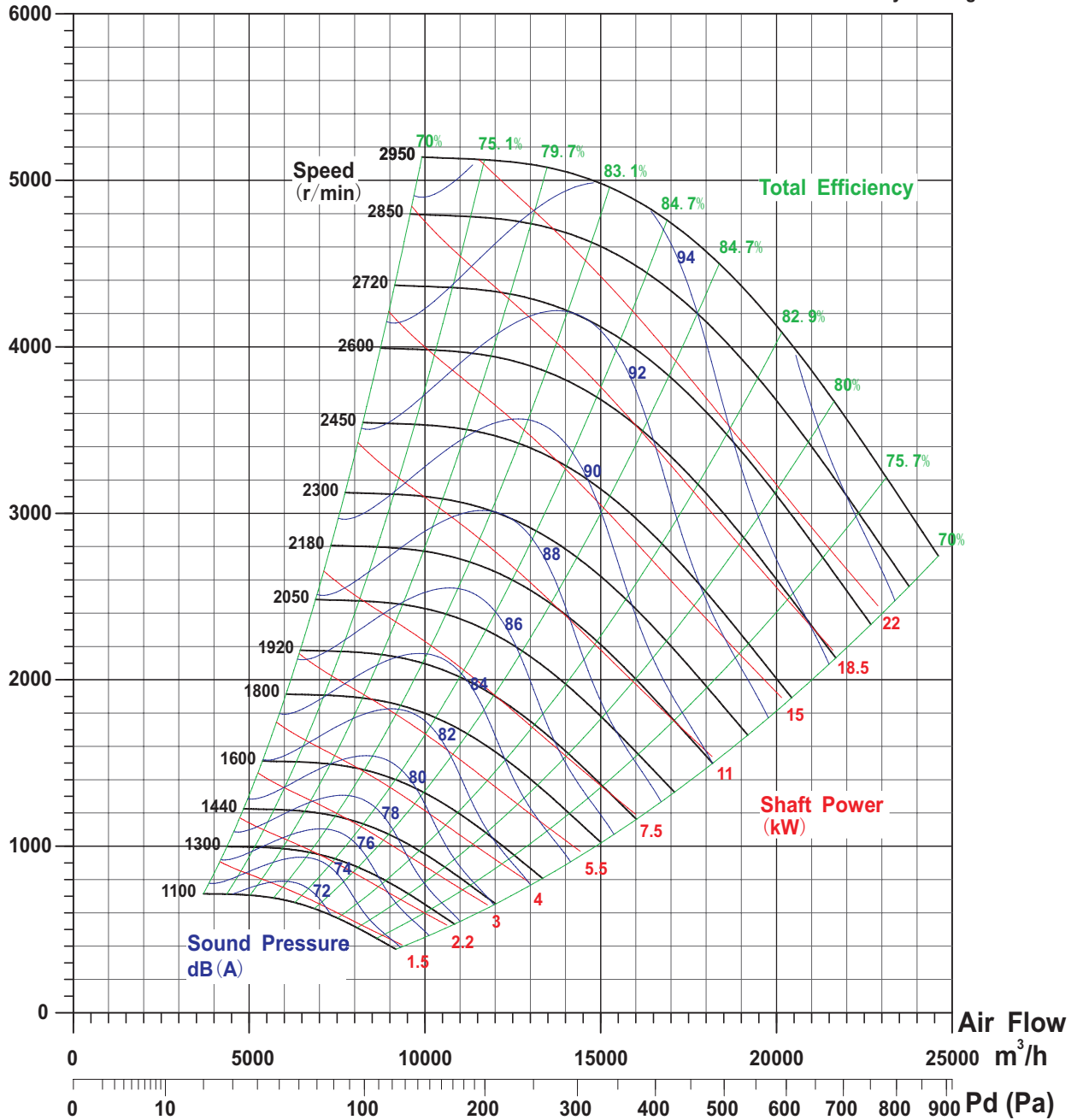
Air Density: 1.2 kg/m³



KTF560-II性能曲线 PERFORMANCE CURVE

Total Pressure
(Pa)

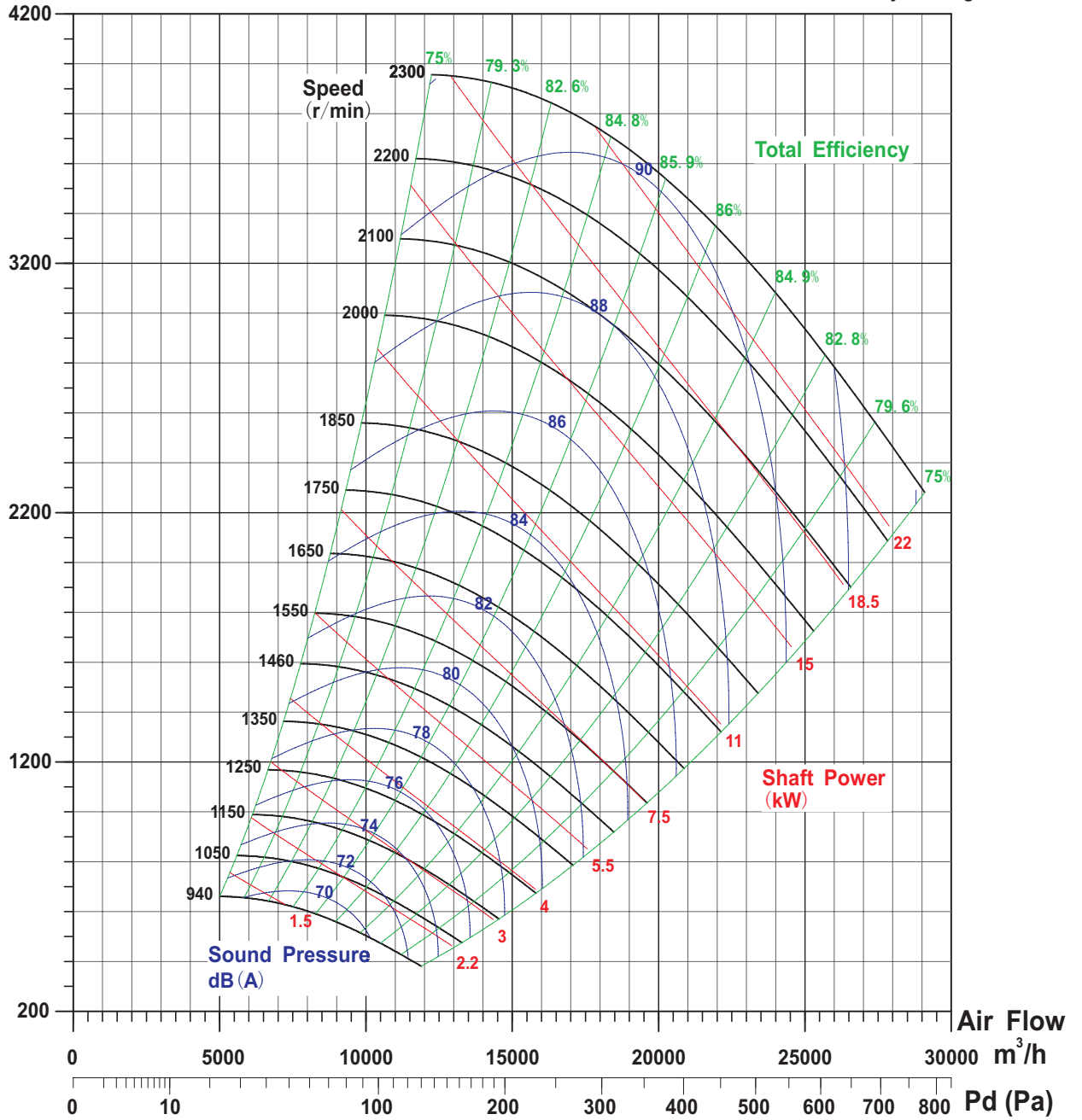
Air Density: 1.2 kg/m³



KTF630-II性能曲线 PERFORMANCE CURVE

Total Pressure
(Pa)

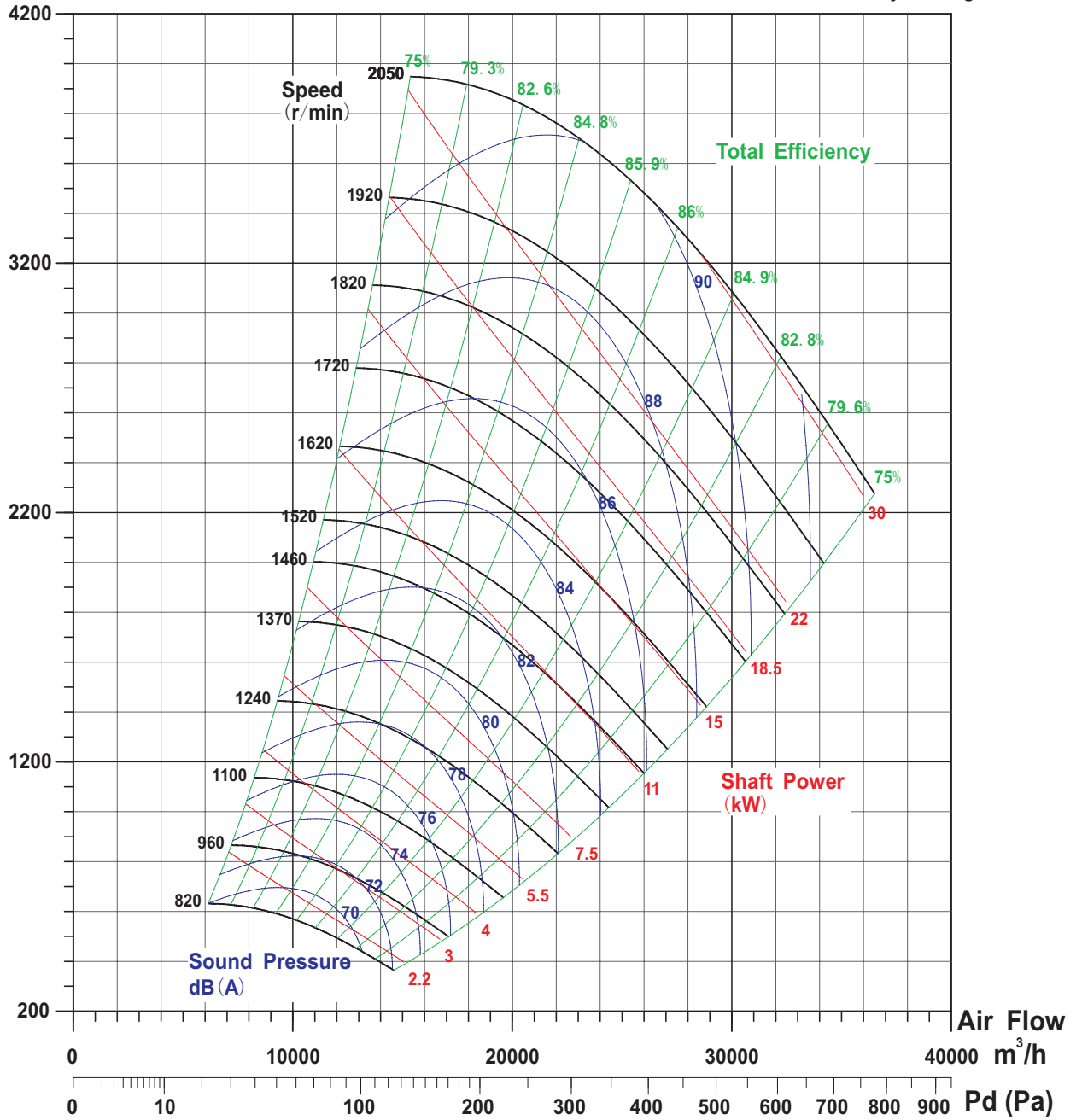
Air Density: 1.2 kg/m³



KTF710-II性能曲线 PERFORMANCE CURVE

Total Pressure
(Pa)

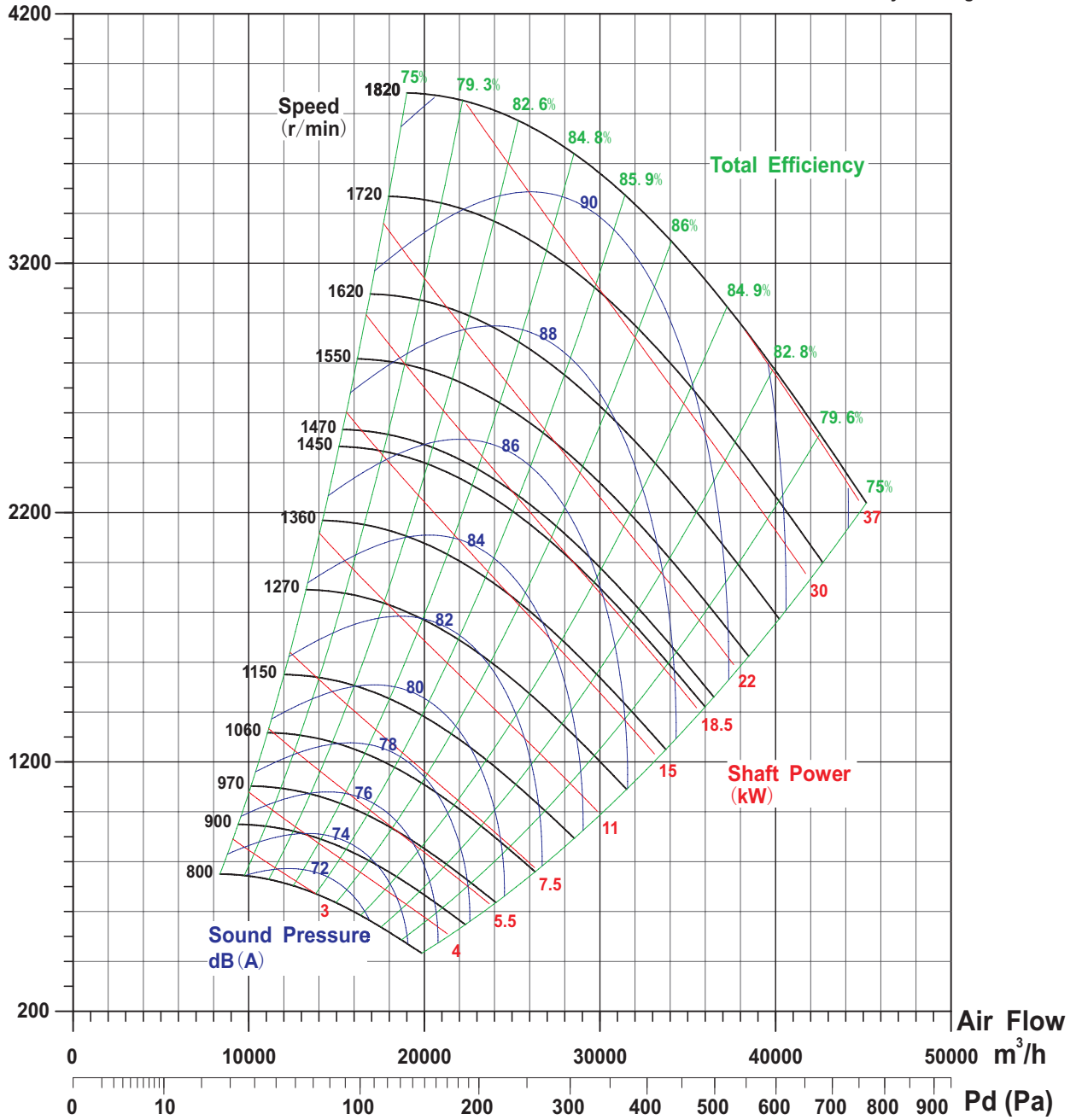
Air Density: 1.2 kg/m³



KTF800-II性能曲线 PERFORMANCE CURVE

Total Pressure
(Pa)

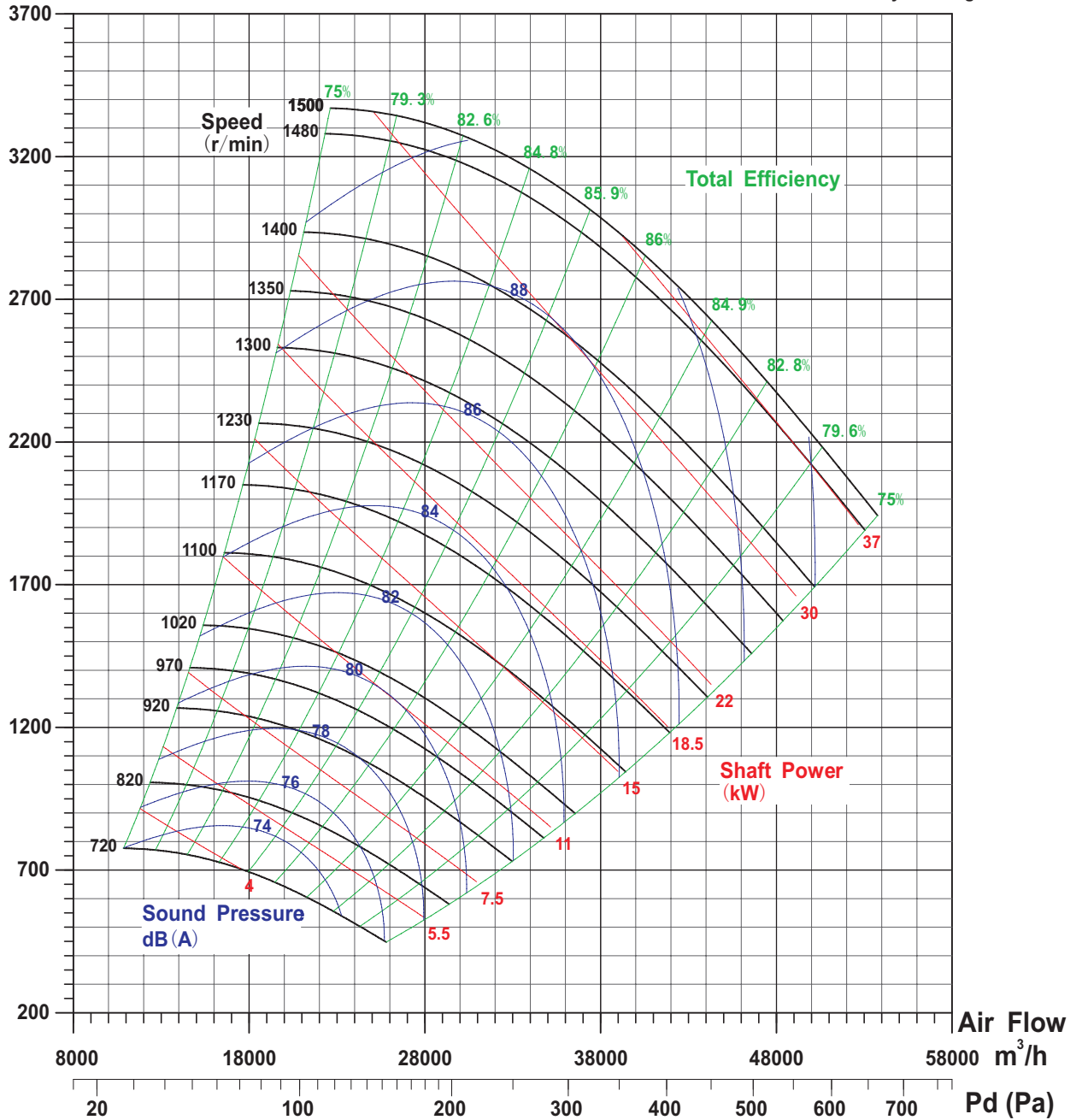
Air Density: 1.2 kg/m³



KTF900-II性能曲线 PERFORMANCE CURVE

Total Pressure
(Pa)

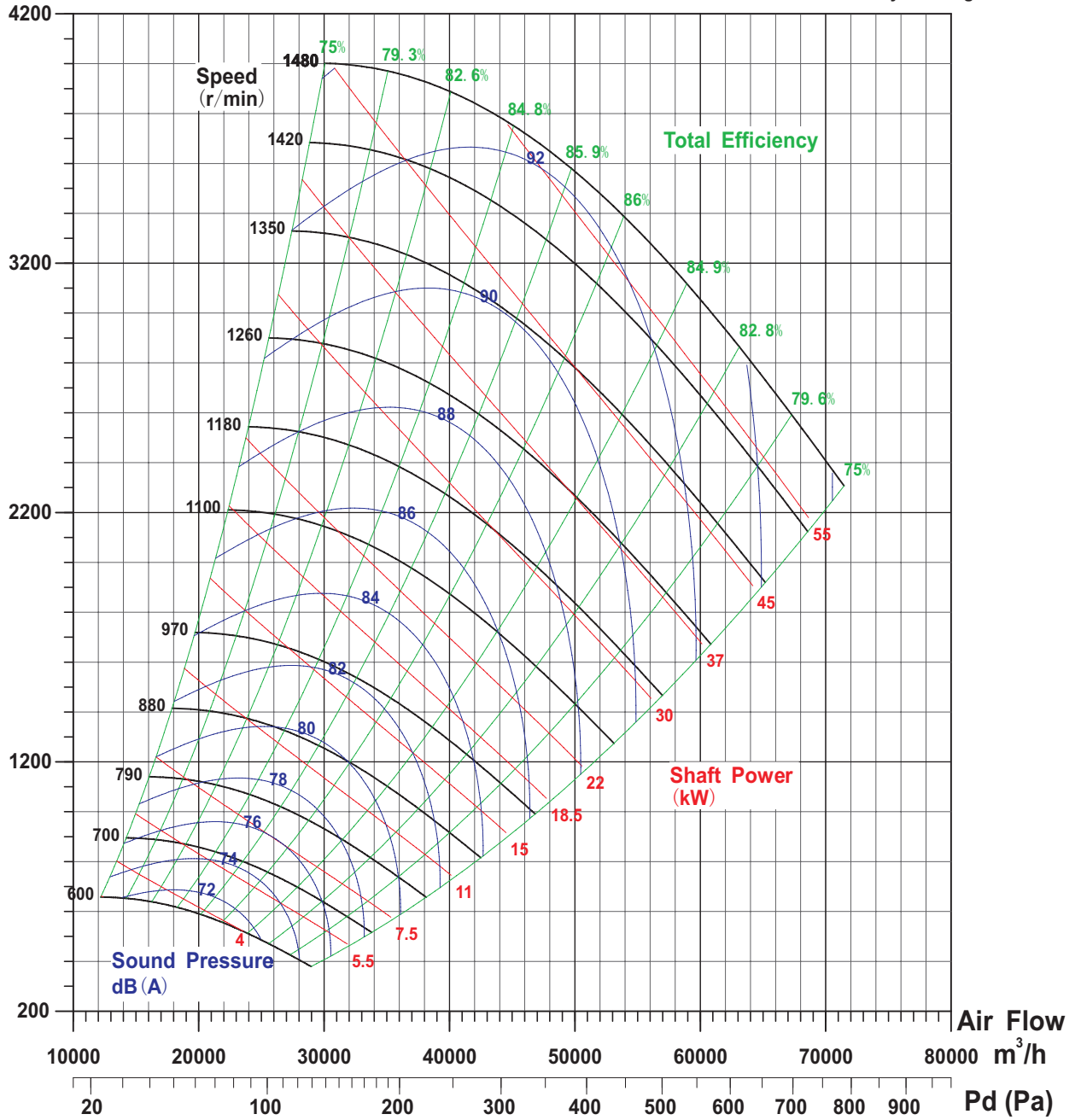
Air Density: 1.2 kg/m³



KTF1000-II性能曲线 PERFORMANCE CURVE

Total Pressure
(Pa)

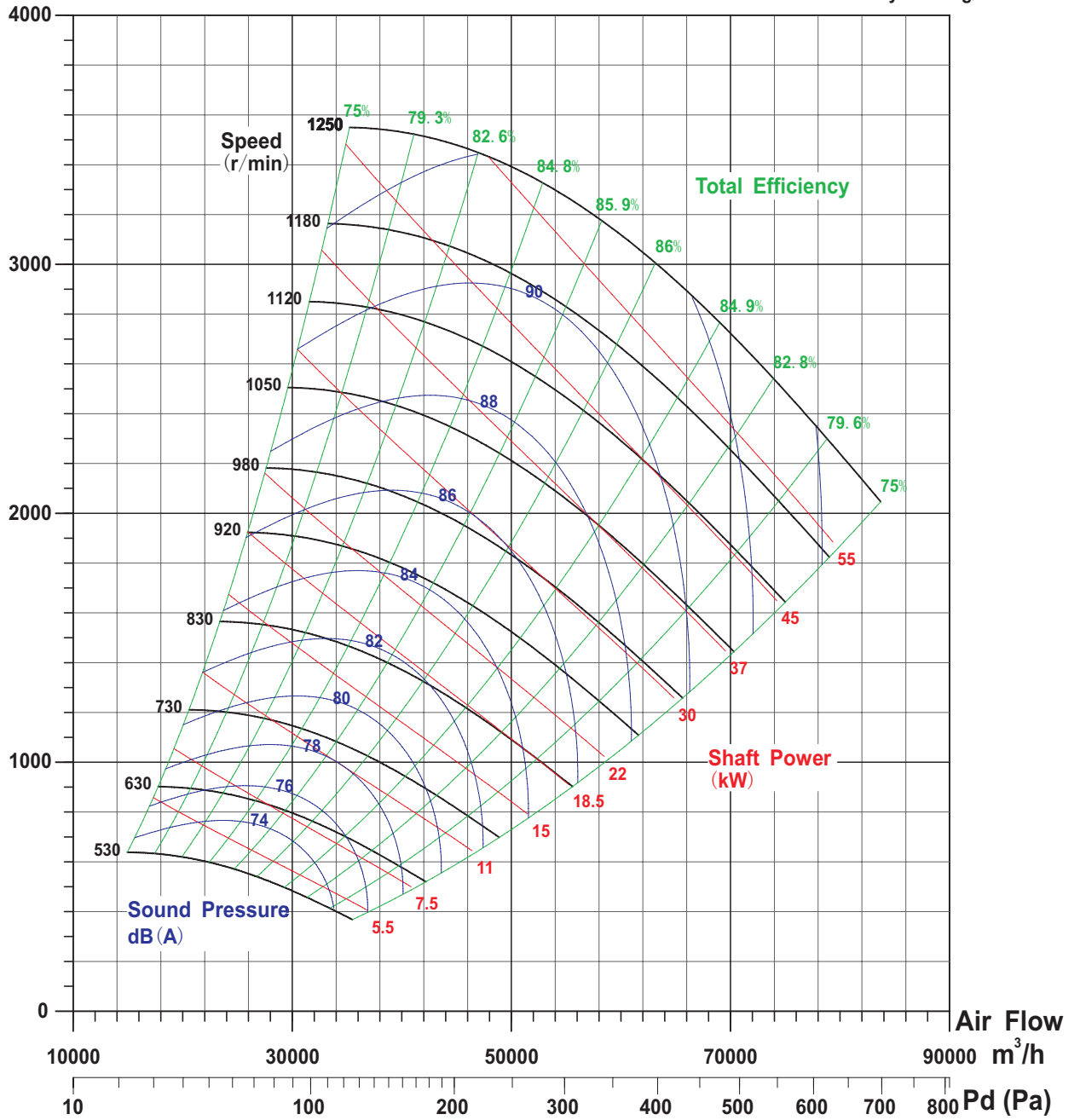
Air Density: 1.2 kg/m³



KTF1120-II性能曲线 PERFORMANCE CURVE

Total Pressure
(Pa)

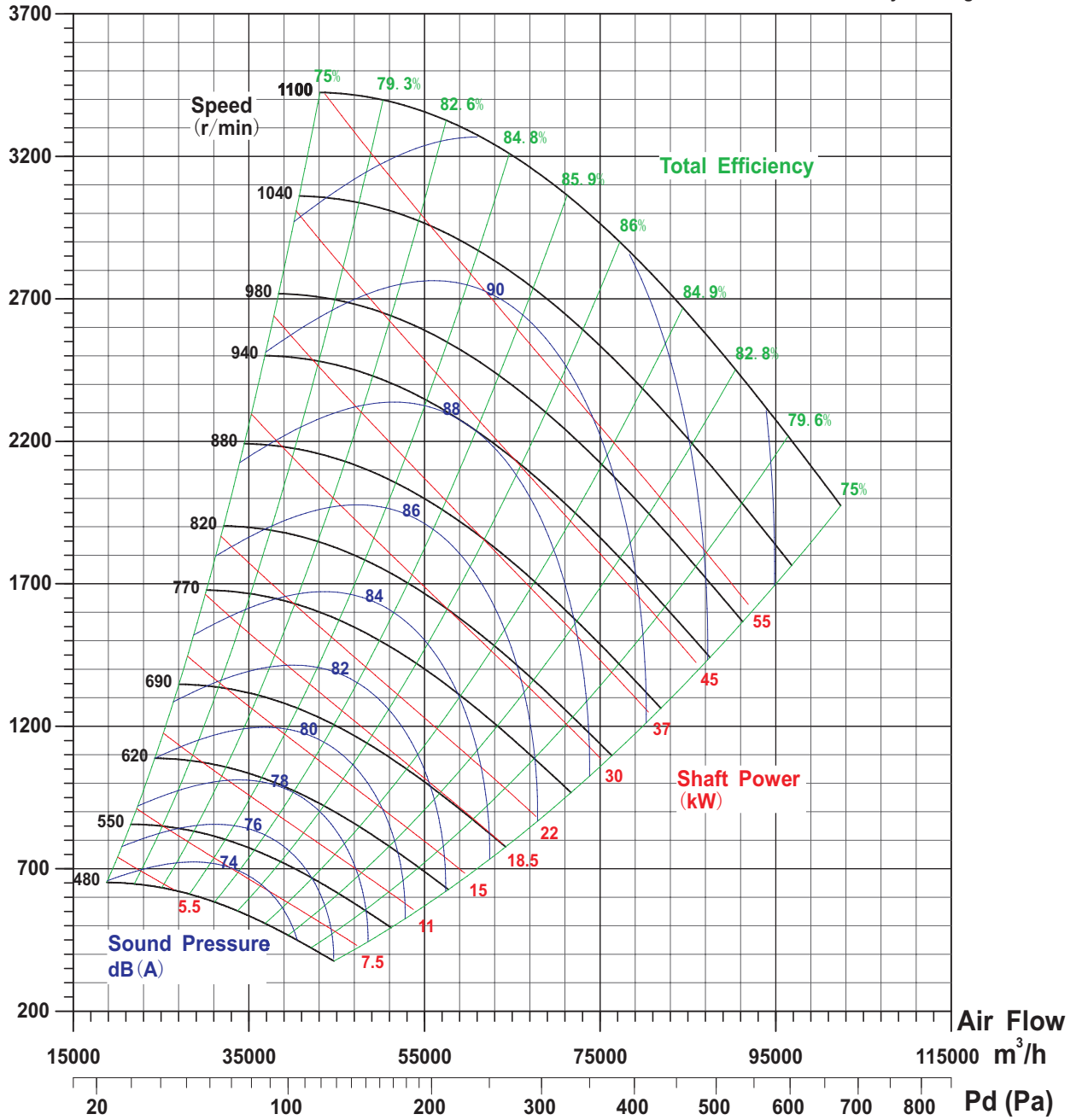
Air Density: 1.2 kg/m³



KTF1250-II性能曲线 PERFORMANCE CURVE

Total Pressure
(Pa)

Air Density: 1.2 kg/m³



A式性能参数表 Performance Chart (一)

机号 Model	转速 Speed (r/min)	序号 No.	流量 Q (m ³ /h)	全压 Pt (Pa)	静压 Pst (Pa)	内效率 Efficiency (%)	轴功率 Shaft Power (kW)	声压级 L _p dB(A)	电机功率 Motor Power
250A	2825	1	721	896	874	65.0	0.28	77.0	0.75kW -2
		2	908	882	847	71.8	0.31	76.5	
		3	1095	856	806	76.9	0.34	76.0	
		4	1283	813	745	80.3	0.36	76.0	
		5	1470	752	663	81.5	0.38	76.5	
		6	1657	671	557	79.6	0.39	77.2	
		7	1844	583	442	74.1	0.40	78.0	
		8	2031	448	277	65.0	0.39	78.1	
280A	2825	1	1102	1189	1160	65.0	0.56	79.5	1.1kW -2
		2	1388	1170	1125	71.8	0.63	79.0	
		3	1675	1136	1070	76.9	0.69	78.5	
		4	1961	1079	989	80.3	0.73	78.5	
		5	2247	999	880	81.5	0.76	79.0	
		6	2533	891	739	79.6	0.79	79.7	
		7	2820	774	586	74.1	0.82	80.5	
		8	3106	594	367	65.0	0.79	80.6	
315A	2840	1	1542	1498	1462	65.0	0.99	82.1	1.5kW -2
		2	1943	1474	1417	71.8	1.11	81.6	
		3	2343	1431	1348	76.9	1.21	81.1	
		4	2744	1360	1246	80.3	1.29	81.1	
		5	3145	1258	1109	81.5	1.35	81.6	
		6	3545	1122	932	79.6	1.39	82.3	
		7	3946	975	739	74.1	1.44	83.1	
		8	4346	749	463	65.0	1.39	83.2	
	1390	1	755	359	350	65.0	0.12	65.0	0.55kW -4
		2	951	353	339	71.8	0.13	64.5	
		3	1147	343	323	76.9	0.14	64.0	
		4	1343	326	298	80.3	0.15	64.0	
		5	1539	301	266	81.5	0.16	64.5	
		6	1735	269	223	79.6	0.16	65.2	
		7	1931	233	177	74.1	0.17	66.0	
		8	2127	179	111	65.0	0.16	66.1	
355A	2880	1	2256	1966	1919	65.0	1.90	84.9	3kW -2
		2	2841	1935	1860	71.8	2.13	84.4	
		3	3427	1878	1769	76.9	2.32	84.0	
		4	4013	1785	1635	80.3	2.48	84.0	
		5	4599	1652	1455	81.5	2.59	84.4	
		6	5184	1473	1223	79.6	2.66	85.1	
		7	5770	1279	970	74.1	2.77	85.9	
		8	6356	983	608	65.0	2.67	86.0	
	1390	1	1089	458	447	65.0	0.21	67.5	0.55kW -4
		2	1371	451	433	71.8	0.24	67.0	
		3	1654	438	412	76.9	0.26	66.6	
		4	1937	416	381	80.3	0.28	66.6	
		5	2219	385	339	81.5	0.29	67.0	
		6	2502	343	285	79.6	0.30	67.7	
		7	2785	298	226	74.1	0.31	68.5	
		8	3068	229	142	65.0	0.30	68.6	
400A	2900	1	3240	2526	2466	65.0	3.50	87.6	5.5kW -2
		2	4081	2486	2390	71.8	3.92	87.1	
		3	4922	2413	2273	76.9	4.29	86.6	
		4	5764	2294	2101	80.3	4.57	86.6	
		5	6605	2122	1869	81.5	4.78	87.1	
		6	7446	1892	1571	79.6	4.92	87.8	
		7	8288	1644	1246	74.1	5.11	88.6	
		8	9129	1263	781	65.0	4.93	88.7	
	1390	1	1553	580	566	65.0	0.39	70.0	0.75kW -4
		2	1956	571	549	71.8	0.43	69.5	
		3	2359	554	522	76.9	0.47	69.1	
		4	2763	527	483	80.3	0.50	69.0	
		5	3166	488	429	81.5	0.53	69.5	
		6	3569	435	361	79.6	0.54	70.2	
		7	3972	378	286	74.1	0.56	71.0	
		8	4376	290	179	65.0	0.54	71.1	

A式性能参数表 Performance Chart (二)

机号 Model	转速 Speed (r/min)	序号 No.	流量 Q (m ³ /h)	全压 Pt (Pa)	静压 Pst (Pa)	内效率 Efficiency (%)	轴功率 Shaft Power (kW)	声压级 L _p dB(A)	电机功率 Motor Power
450A	2930	1	4980	3219	3129	70.0	6.36	91.4	11kW-2
		2	6034	3204	3072	76.0	7.06	90.5	
		3	7088	3161	2979	81.1	7.67	89.1	
		4	8143	3040	3040	84.2	8.17	88.8	
		5	9197	2825	2519	84.7	8.52	89.7	
		6	10252	2516	2136	82.5	8.69	90.7	
		7	11306	2136	1673	77.6	8.65	91.7	
		8	12361	1718	1165	70.0	8.42	92.0	
	1400	1	2379	735	714	70.0	0.69	73.7	1.1kW-4
		2	2883	732	701	76.0	0.77	72.9	
		3	3387	722	680	81.1	0.84	71.4	
		4	3891	694	694	84.2	0.89	71.1	
		5	4394	645	575	84.7	0.93	72.1	
		6	4898	574	488	82.5	0.95	73.0	
		7	5402	488	382	77.6	0.94	74.0	
		8	5906	392	266	70.0	0.92	74.4	
450W 80A	2900	1	5217	2970	2879	77.1	5.58	92.1	7.5kW-2
		2	6096	2908	2784	81.1	6.07	90.8	
		3	6910	2811	2652	84.4	6.39	89.9	
		4	7799	2626	2423	85.0	6.69	89.6	
		5	8694	2359	2107	83.6	6.81	89.7	
		6	9574	2061	1756	79.9	6.86	91.1	
		7	10216	1820	1472	75.8	6.81	92.6	
		8	10917	1507	1110	68.6	6.66	94.6	
500A	2930	1	6957	4023	3911	70.0	11.11	93.9	18.5kW-2
		2	8431	4004	3840	76.0	12.34	93.0	
		3	9903	3950	3723	81.1	13.40	91.5	
		4	11377	3799	3799	84.2	14.27	91.3	
		5	12850	3530	3148	84.7	14.88	92.2	
		6	14323	3145	2669	82.5	15.17	93.2	
		7	15796	2669	2091	77.6	15.10	94.2	
		8	17270	2147	1455	70.0	14.71	94.5	
	1420	1	3372	945	919	70.0	1.26	76.6	2.2kW-4
		2	4086	941	902	76.0	1.40	75.7	
		3	4800	928	874	81.1	1.53	74.2	
		4	5514	892	892	84.2	1.62	74.0	
		5	6227	829	739	84.7	1.69	74.9	
		6	6942	739	627	82.5	1.73	75.9	
		7	7655	627	491	77.6	1.72	76.9	
		8	8370	504	342	70.0	1.67	77.2	
500W 80A	2930	1	7365	3789	3673	77.1	10.05	95.8	15kW-2
		2	8605	3710	3552	81.1	10.93	94.5	
		3	9754	3586	3383	84.4	11.51	93.6	
		4	11009	3350	3091	85.0	12.05	93.3	
		5	12272	3009	2688	83.6	12.27	93.4	
		6	13514	2629	2240	79.9	12.35	94.8	
		7	14421	2322	1878	75.8	12.27	96.3	
		8	15411	1923	1416	68.6	12.00	98.3	
560A	2950	1	9914	5141	4997	70.0	20.22	96.5	30kW-2
		2	12014	5117	4906	76.0	22.46	95.7	
		3	14112	5047	4757	81.1	24.40	94.2	
		4	16212	4855	4855	84.2	25.98	94.0	
		5	18310	4511	4022	84.7	27.09	94.9	
		6	20410	4019	3411	82.5	27.62	95.8	
		7	22508	3411	2672	77.6	27.49	96.8	
		8	24608	2743	1860	70.0	26.78	97.2	
	1440	1	4839	1225	1191	70.0	2.35	79.4	4kW-4
		2	5864	1219	1169	76.0	2.61	78.5	
		3	6888	1203	1133	81.1	2.84	77.1	
		4	7914	1157	1157	84.2	3.02	76.8	
		5	8938	1075	958	84.7	3.15	77.8	
		6	9963	958	813	82.5	3.21	78.7	
		7	10987	813	637	77.6	3.20	79.7	
		8	12012	654	443	70.0	3.11	80.1	

A式性能参数表 Performance Chart (三)

机号 Model	转速 Speed (r/min)	序号 No.	流量 Q (m ³ /h)	全压 Pt (Pa)	静压 Pst (Pa)	内效率 Efficiency (%)	轴功率 Shaft Power (kW)	声压级 L _p dB(A)	电机功率 Motor Power	
630A	1460	1	7770	1595	1539	75.0	4.59	81.3	7.5kW-4	
		2	9298	1577	1497	80.0	5.09	80.4		
		3	10826	1532	1424	83.5	5.52	79.6		
		4	12355	1457	1317	85.6	5.84	79.5		
		5	13883	1353	1176	86.0	6.06	79.5		
		6	15411	1225	1007	84.6	6.20	80.2		
		7	16939	1079	815	81.1	6.26	81.7		
		8	18468	919	605	75.0	6.28	83.4		
	940	1	5003	661	638	75.0	1.22	70.7	2.2kW-6	
		2	5987	654	621	80.0	1.36	69.8		
		3	6970	635	590	83.5	1.47	69.0		
		4	7954	604	546	85.6	1.56	68.9		
		5	8938	561	487	86.0	1.62	68.9		
		6	9922	508	417	84.6	1.65	69.6		
		7	10906	447	338	81.1	1.67	71.1		
		8	11890	381	251	75.0	1.68	72.8		
630W80A	1440	1	7241	1453	1409	77.1	3.79	85.8	5.5kW-4	
		2	8460	1423	1362	81.1	4.12	84.5		
		3	9589	1375	1297	84.4	4.34	83.6		
		4	10823	1285	1185	85.0	4.54	83.3		
		5	12065	1154	1031	83.6	4.63	83.4		
		6	13286	1008	859	79.9	4.66	84.8		
		7	14177	890	720	75.8	4.63	86.3		
		8	15150	737	543	68.6	4.52	88.3		
710A	1460	1	10938	2003	1933	75.0	8.11	83.8	11kW-4	
		2	13090	1981	1881	80.0	9.00	82.9		
		3	15241	1925	1789	83.5	9.75	82.1		
		4	17393	1830	1654	85.6	10.33	82.0		
		960	5	19544	1700	1477	86.0	10.72	82.0	15kW-4
			6	21696	1539	1264	84.6	10.96	82.7	
			7	23847	1356	1024	81.1	11.08	84.2	
			8	25998	1154	760	75.0	11.11	85.9	
	960		1	7192	866	836	75.0	2.31	73.8	4kW-6
			2	8607	856	813	80.0	2.56	72.9	
			3	10022	832	774	83.5	2.77	72.1	
			4	11436	791	715	85.6	2.94	72.0	
		5	12851	735	639	86.0	3.05	72.0		
		6	14266	665	547	84.6	3.11	72.7		
		7	15680	586	443	81.1	3.15	74.2		
		8	17095	499	329	75.0	3.16	75.9		
800A	1470	1	15351	2534	2445	75.0	14.41	87.3	18.5kW-4	
		2	18370	2506	2379	80.0	15.98	86.4		
		3	21390	2435	2263	83.5	17.32	85.6		
		4	24409	2315	2092	85.6	18.34	85.5		
		970	5	27428	2150	1868	86.0	19.04	85.5	22kW-4
			6	30448	1946	1599	84.6	19.45	86.2	
			7	33467	1715	1296	81.1	19.66	87.7	
			8	36486	1460	962	75.0	19.73	89.4	
	970		1	10130	1103	1065	75.0	4.14	77.4	7.5kW-6
			2	12122	1091	1036	80.0	4.59	76.5	
			3	14114	1060	985	83.5	4.98	75.7	
			4	16107	1008	911	85.6	5.27	75.6	
		5	18099	936	813	86.0	5.47	75.6		
		6	20091	847	696	84.6	5.59	76.3		
		7	22084	747	564	81.1	5.65	77.8		
		8	24076	636	419	75.0	5.67	79.5		

A式性能参数表 Performance Chart (四)

机号 Model	转速 Speed (r/min)	序号 No.	流量 Q (m ³ /h)	全压 Pt (Pa)	静压 Pst (Pa)	内效率 Efficiency (%)	轴功率 Shaft Power (kW)	声压级 L _p dB(A)	电机功率 Motor Power
900A	1480	1	22317	3281	3167	75.0	27.12	91.2	37kW-4
		2	26706	3245	3081	80.0	30.07	90.3	
		3	31095	3153	2931	83.5	32.60	89.5	
		4	35485	2998	2709	85.6	34.53	89.4	
		5	39874	2784	2419	86.0	35.84	89.4	
		6	44263	2520	2071	84.6	36.61	90.1	
		7	48653	2221	1678	81.1	37.02	91.6	
		8	53042	1891	1245	75.0	37.14	93.3	
	970	1	14626	1409	1360	75.0	7.63	81.1	15kW-6
		2	17503	1394	1323	80.0	8.47	80.2	
		3	20380	1354	1259	83.5	9.18	79.4	
		4	23257	1288	1164	85.6	9.72	79.3	
		5	26134	1196	1039	86.0	10.09	79.3	
		6	29010	1083	890	84.6	10.31	80.0	
		7	31887	954	721	81.1	10.42	81.5	
		8	34764	812	535	75.0	10.45	83.2	
1000A	1480	1	30068	4002	3863	75.0	44.57	91.2	55kW-4
		2	35981	3958	3758	80.0	49.43	90.3	
		3	41895	3846	3575	83.5	53.58	89.5	
		4	47809	3657	3305	85.6	56.75	89.4	
		5	53723	3396	2951	86.0	58.91	89.4	75kW-4
		6	59637	3075	2526	84.6	60.17	90.1	
		7	65550	2709	2046	81.1	60.84	91.6	
		8	71464	2306	1519	75.0	61.03	93.3	
	970	1	19706	1719	1659	75.0	12.55	81.1	18.5kW-6
		2	23582	1700	1614	80.0	13.92	80.2	
		3	27458	1652	1536	83.5	15.08	79.4	
		4	31334	1571	1420	85.6	15.98	79.3	
		5	35210	1459	1268	86.0	16.58	79.3	
		6	39086	1321	1085	84.6	16.94	80.0	
		7	42962	1164	879	81.1	17.13	81.5	
		8	46838	991	652	75.0	17.18	83.2	
1120A	980	1	27614	2182	2106	75.0	22.32	87.6	30kW-6
		2	33045	2158	2049	80.0	24.75	86.7	
		3	38476	2097	1950	83.5	26.83	85.9	
		4	43907	1994	1802	85.6	28.42	85.8	
		5	49339	1852	1609	86.0	29.50	85.8	37kW-6
		6	54770	1677	1378	84.6	30.14	86.5	
		7	60201	1477	1116	81.1	30.47	88.0	
		8	65632	1258	828	75.0	30.57	89.7	
1250A	980	1	38389	2718	2624	75.0	38.65	90.9	55kW-6
		2	45939	2688	2553	80.0	42.86	90.0	
		3	53489	2612	2428	83.5	46.46	89.2	
		4	61040	2484	2245	85.6	49.22	89.1	
		5	68590	2307	2005	86.0	51.08	89.1	
		6	76141	2088	1716	84.6	52.18	89.8	
		7	83691	1840	1390	81.1	52.76	91.3	
		8	91241	1567	1032	75.0	52.93	93.0	

D式性能参数表 Performance Chart (一)

机号 Model	转速 Speed (r/min)	序号 No.	流量 Q (m ³ /h)	全压 Pt (Pa)	静压 Pst (Pa)	内效率 Efficiency (%)	轴功率 Shaft Power (kW)	声压级 L _p dB(A)	电机功率 Motor Power
500D	2930	1	6957	4023	3911	70.0	11.11	93.9	18.5kW-2
		2	8431	4004	3840	76.0	12.34	93.0	
		3	9903	3950	3723	81.1	13.40	91.5	
		4	11377	3799	3799	84.2	14.27	91.3	
		5	12850	3530	3148	84.7	14.88	92.2	
		6	14323	3145	2669	82.5	15.17	93.2	
		7	15796	2669	2091	77.6	15.10	94.2	
		8	17270	2147	1455	70.0	14.71	94.5	
	1420	1	3372	945	919	70.0	1.26	76.6	2.2kW-4
		2	4086	941	902	76.0	1.40	75.7	
		3	4800	928	874	81.1	1.53	74.2	
		4	5514	892	892	84.2	1.62	74.0	
		5	6227	829	739	84.7	1.69	74.9	
		6	6942	739	627	82.5	1.73	75.9	
		7	7655	627	491	77.6	1.72	76.9	
		8	8370	504	342	70.0	1.67	77.2	
560D	2950	1	9914	5141	4997	70.0	20.22	96.5	30kW-2
		2	12014	5117	4906	76.0	22.46	95.7	
		3	14112	5047	4757	81.1	24.40	94.2	
		4	16212	4855	4855	84.2	25.98	94.0	
		5	18310	4511	4022	84.7	27.09	94.9	
		6	20410	4019	3411	82.5	27.62	95.8	
		7	22508	3411	2672	77.6	27.49	96.8	
		8	24608	2743	1860	70.0	26.78	97.2	
	1440	1	4839	1225	1191	70.0	2.35	79.4	4kW-4
		2	5864	1219	1169	76.0	2.61	78.5	
		3	6888	1203	1133	81.1	2.84	77.1	
		4	7914	1157	1157	84.2	3.02	76.8	
		5	8938	1075	958	84.7	3.15	77.8	
		6	9963	958	813	82.5	3.21	78.7	
		7	10987	813	637	77.6	3.20	79.7	
		8	12012	654	443	70.0	3.11	80.1	
630D	1460	1	7770	1595	1539	75.0	4.59	81.3	7.5kW-4
		2	9298	1577	1497	80.0	5.09	80.4	
		3	10826	1532	1424	83.5	5.52	79.6	
		4	12355	1457	1317	85.6	5.84	79.5	
		5	13883	1353	1176	86.0	6.06	79.5	
		6	15411	1225	1007	84.6	6.20	80.2	
		7	16939	1079	815	81.1	6.26	81.7	
		8	18468	919	605	75.0	6.28	83.4	
	940	1	5003	661	638	75.0	1.22	70.7	2.2kW-6
		2	5987	654	621	80.0	1.36	69.8	
		3	6970	635	590	83.5	1.47	69.0	
		4	7954	604	546	85.6	1.56	68.9	
		5	8938	561	487	86.0	1.62	68.9	
		6	9922	508	417	84.6	1.65	69.6	
		7	10906	447	338	81.1	1.67	71.1	
		8	11890	381	251	75.0	1.68	72.8	
710D	1460	1	10938	2003	1933	75.0	8.11	83.8	15kW-4
		2	13090	1981	1881	80.0	9.00	82.9	
		3	15241	1925	1789	83.5	9.75	82.1	
		4	17393	1830	1654	85.6	10.33	82.0	
		5	19544	1700	1477	86.0	10.72	82.0	
		6	21696	1539	1264	84.6	10.96	82.7	
		7	23847	1356	1024	81.1	11.08	84.2	
		8	25998	1154	760	75.0	11.11	85.9	
	960	1	7192	866	836	75.0	2.31	73.8	4kW-6
		2	8607	856	813	80.0	2.56	72.9	
		3	10022	832	774	83.5	2.77	72.1	
		4	11436	791	715	85.6	2.94	72.0	
		5	12851	735	639	86.0	3.05	72.0	
		6	14266	665	547	84.6	3.11	72.7	
		7	15680	586	443	81.1	3.15	74.2	
		8	17095	499	329	75.0	3.16	75.9	

D式性能参数表 Performance Chart (二)

机号 Model	转速 Speed (r/min)	序号 No.	流量 Q (m ³ /h)	全压 Pt (Pa)	静压 Pst (Pa)	内效率 Efficiency (%)	轴功率 Shaft Power (kW)	声压级 L _p dB(A)	电机功率 Motor Power
800D	1470	1	15351	2534	2445	75.0	14.41	87.3	22kW-4
		2	18370	2506	2379	80.0	15.98	86.4	
		3	21390	2435	2263	83.5	17.32	85.6	
		4	24409	2315	2092	85.6	18.34	85.5	
		5	27428	2150	1868	86.0	19.04	85.5	
		6	30448	1946	1599	84.6	19.45	86.2	
		7	33467	1715	1296	81.1	19.66	87.7	
		8	36486	1460	962	75.0	19.73	89.4	
	970	1	10130	1103	1065	75.0	4.14	77.4	7.5kW-6
		2	12122	1091	1036	80.0	4.59	76.5	
		3	14114	1060	985	83.5	4.98	75.7	
		4	16107	1008	911	85.6	5.27	75.6	
		5	18099	936	813	86.0	5.47	75.6	
		6	20091	847	696	84.6	5.59	76.3	
		7	22084	747	564	81.1	5.65	77.8	
		8	24076	636	419	75.0	5.67	79.5	
900D	1480	1	22317	3281	3167	75.0	27.12	91.2	45kW-4
		2	26706	3245	3081	80.0	30.07	90.3	
		3	31095	3153	2931	83.5	32.60	89.5	
		4	35485	2998	2709	85.6	34.53	89.4	
		5	39874	2784	2419	86.0	35.84	89.4	
		6	44263	2520	2071	84.6	36.61	90.1	
		7	48653	2221	1678	81.1	37.02	91.6	
		8	53042	1891	1245	75.0	37.14	93.3	
	970	1	14626	1409	1360	75.0	7.63	81.1	15kW-6
		2	17503	1394	1323	80.0	8.47	80.2	
		3	20380	1354	1259	83.5	9.18	79.4	
		4	23257	1288	1164	85.6	9.72	79.3	
		5	26134	1196	1039	86.0	10.09	79.3	
		6	29010	1083	890	84.6	10.31	80.0	
		7	31887	954	721	81.1	10.42	81.5	
		8	34764	812	535	75.0	10.45	83.2	
1000D	1480	1	30068	4002	3863	75.0	44.57	91.2	75kW-4
		2	35981	3958	3758	80.0	49.43	90.3	
		3	41895	3846	3575	83.5	53.58	89.5	
		4	47809	3657	3305	85.6	56.75	89.4	
		5	53723	3396	2951	86.0	58.91	89.4	
		6	59637	3075	2526	84.6	60.17	90.1	
		7	65550	2709	2046	81.1	60.84	91.6	
		8	71464	2306	1519	75.0	61.03	93.3	
	970	1	19706	1719	1659	75.0	12.55	81.1	18.5kW-6
		2	23582	1700	1614	80.0	13.92	80.2	
		3	27458	1652	1536	83.5	15.08	79.4	
		4	31334	1571	1420	85.6	15.98	79.3	
		5	35210	1459	1268	86.0	16.58	79.3	
		6	39086	1321	1085	84.6	16.94	80.0	
		7	42962	1164	879	81.1	17.13	81.5	
		8	46838	991	652	75.0	17.18	83.2	
1120D	980	1	27614	2182	2106	75.0	22.32	87.6	37kW-6
		2	33045	2158	2049	80.0	24.75	86.7	
		3	38476	2097	1950	83.5	26.83	85.9	
		4	43907	1994	1802	85.6	28.42	85.8	
		5	49339	1852	1609	86.0	29.50	85.8	
		6	54770	1677	1378	84.6	30.14	86.5	
		7	60201	1477	1116	81.1	30.47	88.0	
		8	65632	1258	828	75.0	30.57	89.7	
1250D	980	1	38389	2718	2624	75.0	38.65	90.9	55kW-6
		2	45939	2688	2553	80.0	42.86	90.0	
		3	53489	2612	2428	83.5	46.46	89.2	
		4	61040	2484	2245	85.6	49.22	89.1	
		5	68590	2307	2005	86.0	51.08	89.1	75kW-6
		6	76141	2088	1716	84.6	52.18	89.8	
		7	83691	1840	1390	81.1	52.76	91.3	
		8	91241	1567	1032	75.0	52.93	93.0	

5000性能参数表 Performance Chart

转速 Speed (r/min)	序号 No.	流量 Q (m ³ /h)	全压 Pt (Pa)	静压 Pst (Pa)	内效率 Efficiency (%)	轴功率 Shaft Power (kW)	声压级 L _p dB(A)	电机功率 Motor Power
2930	1	6957	4023	3911	70.0	11.11	93.9	18.5kW-2
	2	8431	4004	3840	76.0	12.34	93.0	
	3	9903	3950	3723	81.1	13.40	91.5	
	4	11377	3799	3799	84.2	14.27	91.3	
	5	12850	3530	3148	84.7	14.88	92.2	
	6	14323	3145	2669	82.5	15.17	93.2	
	7	15796	2669	2091	77.6	15.10	94.2	
	8	17270	2147	1455	70.0	14.71	94.5	
2780	1	6601	3622	3521	70.0	9.49	92.6	15kW-2
	2	7999	3605	3457	76.0	10.54	91.7	
	3	9396	3556	3351	81.1	11.45	90.3	
	4	10795	3420	3420	84.2	12.19	90.0	
	5	12192	3178	2834	84.7	12.71	91.0	
	6	13590	2831	2403	82.5	12.96	91.9	
	7	14987	2403	1882	77.6	12.90	92.9	
	8	16385	1933	1310	70.0	12.56	93.3	
2500	1	5936	2929	2847	70.0	6.90	90.1	11kW-2
	2	7194	2915	2795	76.0	7.66	89.2	
	3	8450	2876	2710	81.1	8.32	87.8	
	4	9707	2766	2766	84.2	8.86	87.5	
	5	10964	2570	2291	84.7	9.24	88.4	
	6	12221	2289	1943	82.5	9.42	89.4	
	7	13478	1943	1522	77.6	9.38	90.4	
	8	14735	1563	1060	70.0	9.14	90.7	
2200	1	5224	2268	2205	70.0	4.70	87.0	7.5kW-2
	2	6330	2258	2165	76.0	5.22	86.2	
	3	7436	2227	2099	81.1	5.67	84.7	
	4	8543	2142	2142	84.2	6.04	84.4	
	5	9648	1990	1775	84.7	6.30	85.4	
	6	10755	1773	1505	82.5	6.42	86.3	
	7	11860	1505	1179	77.6	6.39	87.3	
	8	12967	1210	821	70.0	6.23	87.7	
1980	1	4701	1837	1786	70.0	3.43	84.5	5.5kW-2
	2	5697	1829	1753	76.0	3.81	83.6	
	3	6692	1804	1700	81.1	4.14	82.2	
	4	7688	1735	1735	84.2	4.40	81.9	
	5	8683	1612	1437	84.7	4.59	82.9	
	6	9679	1436	1219	82.5	4.68	83.8	
	7	10674	1219	955	77.6	4.66	84.8	
	8	11670	980	665	70.0	4.54	85.2	
1800	1	4274	1518	1476	70.0	2.58	82.2	4kW-4
	2	5179	1511	1449	76.0	2.86	81.4	
	3	6084	1491	1405	81.1	3.11	79.9	
	4	6989	1434	1434	84.2	3.31	79.6	
	5	7894	1332	1188	84.7	3.45	80.6	
	6	8799	1187	1007	82.5	3.52	81.5	
	7	9704	1007	789	77.6	3.50	82.5	
	8	10609	810	549	70.0	3.41	82.9	
1420	1	3372	945	919	70.0	1.26	76.6	2.2kW-4
	2	4086	941	902	76.0	1.40	75.7	
	3	4800	928	874	81.1	1.53	74.2	
	4	5514	892	892	84.2	1.62	74.0	
	5	6227	829	739	84.7	1.69	74.9	
	6	6942	739	627	82.5	1.73	75.9	
	7	7655	627	491	77.6	1.72	76.9	
	8	8370	504	342	70.0	1.67	77.2	

560C性能参数表 Performance Chart

转速 Speed (r/min)	序号 No.	流量 Q (m ³ /h)	全压 Pt (Pa)	静压 Pst (Pa)	内效率 Efficiency (%)	轴功率 Shaft Power (kW)	声压级 L _p dB(A)	电机功率 Motor Power
2800	1	9410	4631	4502	70.0	17.29	95.3	30kW-2
	2	11403	4610	4420	76.0	19.21	94.4	
	3	13394	4547	4285	81.1	20.87	93.0	
	4	15387	4374	4374	84.2	22.21	92.7	
	5	17379	4064	3623	84.7	23.17	93.7	
	6	19372	3620	3073	82.5	23.62	94.6	
	7	21364	3073	2407	77.6	23.51	95.6	
	8	23357	2471	1675	70.0	22.90	96.0	
2610	1	8771	4024	3912	70.0	14.01	93.6	22kW-2
	2	10629	4005	3841	76.0	15.55	92.8	
	3	12485	3951	3724	81.1	16.90	91.3	
	4	14343	3800	3800	84.2	17.99	91.0	
	5	16200	3531	3148	84.7	18.76	92.0	
	6	18058	3146	2670	82.5	19.13	92.9	
	7	19914	2670	2091	77.6	19.04	93.9	
	8	21772	2147	1456	70.0	18.55	94.3	
2350	1	7897	3262	3171	70.0	10.22	91.1	15kW-2
	2	9570	3247	3114	76.0	11.35	90.2	
	3	11242	3203	3019	81.1	12.34	88.8	
	4	12914	3081	3081	84.2	13.13	88.5	
	18.5kW-2	5	14586	2863	2552	84.7	13.70	89.5
		6	16259	2550	2164	82.5	13.96	90.4
		7	17930	2164	1695	77.6	13.90	91.4
		8	19603	1741	1180	70.0	13.54	91.8
2050	1	6889	2483	2413	70.0	6.79	87.9	11kW-2
	2	8348	2471	2369	76.0	7.54	87.0	
	3	9807	2437	2297	81.1	8.19	85.5	
	4	11266	2344	2344	84.2	8.72	85.3	
	5	12724	2178	1942	84.7	9.09	86.2	
	6	14183	1941	1647	82.5	9.27	87.1	
	7	15641	1647	1290	77.6	9.23	88.1	
	8	17101	1325	898	70.0	8.99	88.5	
1810	1	6083	1935	1881	70.0	4.67	84.9	7.5kW-4
	2	7371	1926	1847	76.0	5.19	84.0	
	3	8658	1900	1791	81.1	5.64	82.6	
	4	9947	1828	1828	84.2	6.00	82.3	
	5	11234	1698	1514	84.7	6.26	83.2	
	6	12523	1513	1284	82.5	6.38	84.2	
	7	13810	1284	1006	77.6	6.35	85.2	
	8	15099	1033	700	70.0	6.19	85.6	
1610	1	5410	1531	1489	70.0	3.29	82.1	5.5kW-4
	2	6557	1524	1461	76.0	3.65	81.2	
	3	7702	1503	1417	81.1	3.97	79.8	
	4	8848	1446	1446	84.2	4.22	79.5	
	5	9993	1344	1198	84.7	4.40	80.4	
	6	11139	1197	1016	82.5	4.49	81.4	
	7	12284	1016	796	77.6	4.47	82.4	
	8	13430	817	554	70.0	4.35	82.8	
1280	1	4301	968	941	70.0	1.65	76.6	3kW-4
	2	5213	963	924	76.0	1.83	75.7	
	3	6123	950	896	81.1	1.99	74.3	
	4	7034	914	914	84.2	2.12	74.0	
	5	7945	849	757	84.7	2.21	75.0	
	6	8856	757	642	82.5	2.26	75.9	
	7	9766	642	503	77.6	2.25	76.9	
	8	10677	516	350	70.0	2.19	77.3	

630C性能参数表 Performance Chart

转速 Speed (r/min)	序号 No.	流量 Q (m ³ /h)	全压 Pt (Pa)	静压 Pst (Pa)	内效率 Efficiency (%)	轴功率 Shaft Power (kW)	声压级 L _p dB(A)	电机功率 Motor Power
2360	1	12560	4166	4021	75.0	19.38	92.7	30kW-2
	2	15030	4120	3912	80.0	21.49	91.8	
	3	17500	4004	3722	83.5	23.30	91.0	
	4	19971	3807	3440	85.6	24.68	90.9	
	5	22441	3535	3072	86.0	25.62	90.9	
	6	24911	3201	2630	84.6	26.17	91.6	
	7	27381	2820	2130	81.1	26.45	93.1	
	8	29852	2401	1581	75.0	26.54	94.8	
2120	1	11282	3362	3245	75.0	14.05	90.2	22kW-2
	2	13502	3325	3157	80.0	15.58	89.3	
	3	15721	3231	3003	83.5	16.89	88.5	
	4	17940	3072	2776	85.6	17.89	88.4	
	5	20159	2853	2479	86.0	18.57	88.4	
	6	22378	2583	2122	84.6	18.97	89.1	
	7	24597	2276	1719	81.1	19.18	90.6	
	8	26816	1937	1276	75.0	19.24	92.3	
1820	1	9686	2478	2392	75.0	8.89	86.5	15kW-4
	2	11591	2450	2327	80.0	9.86	85.6	
	3	13496	2381	2214	83.5	10.69	84.8	
	4	15401	2264	2046	85.6	11.32	84.7	
	5	17306	2103	1827	86.0	11.75	84.7	
	6	19211	1904	1564	84.6	12.00	85.4	
	7	21116	1677	1267	81.1	12.13	86.9	
	8	23021	1428	940	75.0	12.17	88.6	
1650	1	8781	2037	1966	75.0	6.62	84.2	11kW-4
	2	10508	2014	1912	80.0	7.35	83.3	
	3	12235	1957	1819	83.5	7.96	82.5	
	4	13962	1861	1682	85.6	8.43	82.4	
	5	15690	1728	1502	86.0	8.75	82.4	
	6	17417	1565	1286	84.6	8.94	83.1	
	7	19144	1378	1041	81.1	9.04	84.6	
	8	20871	1174	773	75.0	9.07	86.3	
1460	1	7770	1595	1539	75.0	4.59	81.3	7.5kW-4
	2	9298	1577	1497	80.0	5.09	80.4	
	3	10826	1532	1424	83.5	5.52	79.6	
	4	12355	1457	1317	85.6	5.84	79.5	
	5	13883	1353	1176	86.0	6.06	79.5	
	6	15411	1225	1007	84.6	6.20	80.2	
	7	16939	1079	815	81.1	6.26	81.7	
	8	18468	919	605	75.0	6.28	83.4	
1250	1	6652	1169	1128	75.0	2.88	77.6	5.5kW-4
	2	7961	1156	1098	80.0	3.19	76.7	
	3	9269	1123	1044	83.5	3.46	75.9	
	4	10578	1068	965	85.6	3.67	75.8	
	5	11886	992	862	86.0	3.81	75.8	
	6	13194	898	738	84.6	3.89	76.5	
	7	14503	791	598	81.1	3.93	78.0	
	8	15811	674	444	75.0	3.94	79.7	
1050	1	5588	825	796	75.0	1.71	73.4	3kW-4
	2	6687	816	774	80.0	1.89	72.5	
	3	7786	793	737	83.5	2.05	71.7	
	4	8885	754	681	85.6	2.17	71.6	
	5	9984	700	608	86.0	2.26	71.6	
	6	11083	634	521	84.6	2.30	72.3	
	7	12182	558	422	81.1	2.33	73.8	
	8	13282	475	313	75.0	2.34	75.5	

7100性能参数表 Performance Chart

转速 Speed (r/min)	序号 No.	流量 Q (m ³ /h)	全压 Pt (Pa)	静压 Pst (Pa)	内效率 Efficiency (%)	轴功率 Shaft Power (kW)	声压级 L _p dB(A)	电机功率 Motor Power
2070	1	15509	4026	3886	75.0	23.13	92.1	37kW-4
	2	18559	3982	3781	80.0	25.65	91.2	
	3	21609	3869	3597	83.5	27.80	90.4	
	4	24660	3679	3325	85.6	29.45	90.3	
	5	27710	3416	2969	86.0	30.57	90.3	
	6	30760	3093	2541	84.6	31.22	91.0	
	7	33811	2725	2059	81.1	31.57	92.5	
	8	36861	2320	1528	75.0	31.67	94.2	
1940	1	14535	3536	3413	75.0	19.04	90.6	30kW-4
	2	17393	3497	3321	80.0	21.11	89.7	
	3	20252	3398	3159	83.5	22.89	88.9	
	4	23111	3231	2920	85.6	24.24	88.8	
	5	25970	3001	2608	86.0	25.16	88.8	
	6	28828	2717	2232	84.6	25.70	89.5	
	7	31687	2394	1808	81.1	25.99	91.0	
	8	34546	2038	1342	75.0	26.07	92.7	
1730	1	12961	2812	2714	75.0	13.50	87.8	22kW-4
	2	15511	2781	2641	80.0	14.97	86.9	
	3	18060	2702	2512	83.5	16.23	86.1	
	4	20609	2570	2322	85.6	17.19	86.0	
	5	23159	2386	2074	86.0	17.84	86.0	
	6	25708	2160	1775	84.6	18.23	86.7	
	7	28257	1903	1438	81.1	18.43	88.2	
	8	30806	1621	1067	75.0	18.49	89.9	
1540	1	11538	2228	2151	75.0	9.52	85.0	15kW-4
	2	13807	2204	2093	80.0	10.56	84.1	
	3	16076	2141	1991	83.5	11.45	83.3	
	4	18346	2036	1840	85.6	12.13	83.2	
	5	20615	1891	1643	86.0	12.59	83.2	
	6	22884	1712	1407	84.6	12.86	83.9	
	7	25154	1508	1139	81.1	13.00	85.4	
	8	27423	1284	846	75.0	13.04	87.1	
1380	1	10339	1789	1727	75.0	6.85	82.4	11kW-4
	2	12373	1770	1680	80.0	7.60	81.5	
	3	14406	1720	1599	83.5	8.24	80.7	
	4	16440	1635	1478	85.6	8.73	80.6	
	5	18473	1518	1319	86.0	9.06	80.6	
	6	20507	1375	1130	84.6	9.25	81.3	
	7	22540	1211	915	81.1	9.35	82.8	
	8	24574	1031	679	75.0	9.38	84.5	
1100	1	8241	1137	1097	75.0	3.47	77.0	5.5kW-4
	2	9862	1124	1068	80.0	3.85	76.1	
	3	11483	1093	1016	83.5	4.17	75.3	
	4	13104	1039	939	85.6	4.42	75.2	
	5	14725	965	838	86.0	4.59	75.2	
	6	16346	873	718	84.6	4.69	75.9	
	7	17967	770	581	81.1	4.74	77.4	
	8	19588	655	432	75.0	4.75	79.1	
960	1	7192	866	836	75.0	2.31	73.8	4kW-6
	2	8607	856	813	80.0	2.56	72.9	
	3	10022	832	774	83.5	2.77	72.1	
	4	11436	791	715	85.6	2.94	72.0	
	5	12851	735	639	86.0	3.05	72.0	
	6	14266	665	547	84.6	3.11	72.7	
	7	15680	586	443	81.1	3.15	74.2	
	8	17095	499	329	75.0	3.16	75.9	

800C性能参数表 Performance Chart

转速 Speed (r/min)	序号 No.	流量 Q (m ³ /h)	全压 Pt (Pa)	静压 Pst (Pa)	内效率 Efficiency (%)	轴功率 Shaft Power (kW)	声压级 L _p dB(A)	电机功率 Motor Power
1850	1	19319	4013	3873	75.0	28.71	92.8	45kW-4
	2	23119	3968	3768	80.0	31.84	91.9	
	3	26919	3856	3585	83.5	34.52	91.1	
	4	30719	3667	3313	85.6	36.56	91.0	
	5	34519	3405	2959	86.0	37.95	91.0	
	6	38319	3083	2533	84.6	38.77	91.7	
	7	42118	2716	2052	81.1	39.19	93.2	
	8	45918	2312	1523	75.0	39.32	94.9	
1740	1	18171	3550	3426	75.0	23.89	91.4	37kW-4
	2	21745	3511	3333	80.0	26.49	90.5	
	3	25319	3411	3171	83.5	28.72	89.7	
	4	28892	3244	2931	85.6	30.42	89.6	
	5	32466	3012	2618	86.0	31.57	89.6	
	6	36040	2727	2241	84.6	32.25	90.3	
	7	39614	2403	1815	81.1	32.61	91.8	
	8	43188	2046	1347	75.0	32.71	93.5	
1550	1	16187	2817	2719	75.0	16.89	88.6	30kW-4
	2	19370	2786	2645	80.0	18.73	87.7	
	3	22554	2707	2516	83.5	20.30	86.9	
	4	25738	2574	2326	85.6	21.50	86.8	
	5	28921	2390	2077	86.0	22.32	86.8	
	6	32105	2164	1778	84.6	22.80	87.5	
	7	35288	1907	1440	81.1	23.05	89.0	
	8	38472	1623	1069	75.0	23.13	90.7	
1390	1	14516	2265	2186	75.0	12.18	86.0	18.5kW-4
	2	17371	2240	2127	80.0	13.51	85.1	
	3	20226	2177	2024	83.5	14.64	84.3	
	4	23081	2070	1871	85.6	15.51	84.2	
	22kW-4	5	25936	1922	1670	86.0	16.10	84.2
		6	28791	1740	1430	84.6	16.44	84.9
		7	31646	1533	1158	81.1	16.62	86.4
		8	34501	1305	860	75.0	16.68	88.1
1240	1	12949	1803	1740	75.0	8.65	83.3	15kW-4
	2	15496	1783	1693	80.0	9.59	82.4	
	3	18043	1732	1610	83.5	10.39	81.6	
	4	20590	1647	1489	85.6	11.01	81.5	
	5	23137	1530	1329	86.0	11.43	81.5	
	6	25684	1385	1138	84.6	11.67	82.2	
	7	28231	1220	922	81.1	11.80	83.7	
	8	30778	1039	684	75.0	11.84	85.4	
1110	1	11592	1445	1394	75.0	6.20	80.6	11kW-4
	2	13872	1429	1357	80.0	6.88	79.7	
	3	16151	1388	1290	83.5	7.46	78.9	
	4	18431	1320	1193	85.6	7.90	78.8	
	5	20711	1226	1065	86.0	8.20	78.8	
	6	22991	1110	912	84.6	8.37	79.5	
	7	25271	978	739	81.1	8.47	81.0	
	8	27551	832	548	75.0	8.49	82.7	
900	1	9399	950	917	75.0	3.31	75.6	5.5kW-6
	2	11247	939	892	80.0	3.67	74.7	
	3	13096	913	848	83.5	3.97	73.9	
	4	14944	868	784	85.6	4.21	73.8	
	5	16793	806	700	86.0	4.37	73.8	
	6	18641	730	599	84.6	4.46	74.5	
	7	20490	643	486	81.1	4.51	76.0	
	8	22339	547	360	75.0	4.53	77.7	

9000性能参数表 Performance Chart

转速 Speed (r/min)	序号 No.	流量 Q (m ³ /h)	全压 Pt (Pa)	静压 Pst (Pa)	内效率 Efficiency (%)	轴功率 Shaft Power (kW)	声压级 L _p dB(A)	电机功率 Motor Power
1480	1	22317	3281	3167	75.0	27.12	91.2	45kW-4
	2	26706	3245	3081	80.0	30.07	90.3	
	3	31095	3153	2931	83.5	32.60	89.5	
	4	35485	2998	2709	85.6	34.53	89.4	
	5	39874	2784	2419	86.0	35.84	89.4	
	6	44263	2520	2071	84.6	36.61	90.1	
	7	48653	2221	1678	81.1	37.02	91.6	
	8	53042	1891	1245	75.0	37.14	93.3	
1400	1	21110	2936	2833	75.0	22.95	89.9	37kW-4
	2	25262	2903	2757	80.0	25.46	89.0	
	3	29414	2821	2623	83.5	27.59	88.2	
	4	33567	2683	2424	85.6	29.23	88.1	
	5	37719	2491	2165	86.0	30.34	88.1	
	6	41871	2255	1853	84.6	30.99	88.8	
	7	46023	1987	1501	81.1	31.33	90.3	
	8	50175	1692	1114	75.0	31.43	92.0	
1320	1	19904	2610	2519	75.0	19.24	88.5	30kW-4
	2	23819	2581	2451	80.0	21.34	87.6	
	3	27734	2508	2331	83.5	23.13	86.8	
	4	31648	2385	2155	85.6	24.50	86.7	
	5	35563	2215	1924	86.0	25.43	86.7	
	6	39478	2005	1647	84.6	25.98	87.4	
	7	43393	1766	1334	81.1	26.26	88.9	
	8	47308	1504	991	75.0	26.35	90.6	
1170	1	17642	2050	1979	75.0	13.40	85.6	22kW-4
	2	21112	2028	1925	80.0	14.86	84.7	
	3	24582	1970	1832	83.5	16.11	83.9	
	4	28052	1874	1693	85.6	17.06	83.8	
	5	31522	1740	1512	86.0	17.71	83.8	
	6	34992	1575	1294	84.6	18.09	84.5	
	7	38462	1388	1048	81.1	18.29	86.0	
	8	41932	1182	778	75.0	18.35	87.7	
1040	1	15682	1620	1564	75.0	9.41	82.8	15kW-4
	2	18766	1602	1521	80.0	10.44	81.9	
	3	21851	1557	1447	83.5	11.31	81.1	
	4	24935	1480	1338	85.6	11.98	81.0	
	5	28020	1375	1195	86.0	12.44	81.0	
	6	31104	1245	1023	84.6	12.70	81.7	
	7	34188	1097	828	81.1	12.84	83.2	
	8	37273	934	615	75.0	12.89	84.9	
910	1	13722	1240	1197	75.0	6.30	79.6	11kW-6
	2	16421	1227	1165	80.0	6.99	78.7	
	3	19119	1192	1108	83.5	7.58	77.9	
	4	21818	1133	1024	85.6	8.03	77.8	
	5	24517	1053	915	86.0	8.33	77.8	
	6	27216	953	783	84.6	8.51	78.5	
	7	29915	840	634	81.1	8.60	80.0	
	8	32614	715	471	75.0	8.63	81.7	
820	1	12365	1007	972	75.0	4.61	77.1	7.5kW-6
	2	14797	996	946	80.0	5.12	76.2	
	3	17228	968	900	83.5	5.54	75.4	
	4	19660	920	832	85.6	5.87	75.3	
	5	22092	855	743	86.0	6.10	75.3	
	6	24524	774	636	84.6	6.23	76.0	
	7	26956	682	515	81.1	6.30	77.5	
	8	29388	580	382	75.0	6.32	79.2	

1000C性能参数表 Performance Chart

转速 Speed (r/min)	序号 No.	流量 Q (m ³ /h)	全压 Pt (Pa)	静压 Pst (Pa)	内效率 Efficiency (%)	轴功率 Shaft Power (kW)	声压级 L _p dB(A)	电机功率 Motor Power
1380	1	28036	3480	3358	75.0	36.13	89.5	55kW-4
	2	33550	3441	3268	80.0	40.07	88.6	
	3	39064	3344	3108	83.5	43.44	87.8	
	4	44579	3180	2873	85.6	46.01	87.7	
	5	50093	2953	2566	86.0	47.76	87.7	
	6	55607	2673	2196	84.6	48.78	88.4	
	7	61121	2355	1779	81.1	49.32	89.9	
	8	66635	2005	1321	75.0	49.48	91.6	
1250	1	25395	2855	2755	75.0	26.85	87.2	45kW-4
	2	30390	2823	2681	80.0	29.78	86.3	
	3	35384	2743	2550	83.5	32.28	85.5	
	4	40379	2609	2357	85.6	34.19	85.4	
	5	45374	2423	2105	86.0	35.49	85.4	
	6	50369	2193	1802	84.6	36.25	86.1	
	7	55363	1932	1460	81.1	36.65	87.6	
	8	60358	1645	1084	75.0	36.77	89.3	
1100	1	22347	2211	2134	75.0	18.30	84.1	30kW-4
	2	26743	2186	2076	80.0	20.29	83.2	
	3	31138	2125	1975	83.5	22.00	82.4	
	4	35534	2020	1826	85.6	23.30	82.3	
	5	39929	1876	1630	86.0	24.19	82.3	
	6	44324	1698	1396	84.6	24.71	83.0	
	7	48720	1496	1130	81.1	24.98	84.5	
	8	53115	1274	839	75.0	25.06	86.2	
970	1	19706	1719	1659	75.0	12.55	81.1	22kW-6
	2	23582	1700	1614	80.0	13.92	80.2	
	3	27458	1652	1536	83.5	15.08	79.4	
	4	31334	1571	1420	85.6	15.98	79.3	
	5	35210	1459	1268	86.0	16.58	79.3	
	6	39086	1321	1085	84.6	16.94	80.0	
	7	42962	1164	879	81.1	17.13	81.5	
	8	46838	991	652	75.0	17.18	83.2	
880	1	17878	1415	1366	75.0	9.37	78.8	15kW-6
	2	21394	1399	1329	80.0	10.39	77.9	
	3	24911	1360	1264	83.5	11.26	77.1	
	4	28427	1293	1168	85.6	11.93	77.0	
	5	31943	1201	1043	86.0	12.38	77.0	
	6	35460	1087	893	84.6	12.65	77.7	
	7	38976	958	724	81.1	12.79	79.2	
	8	42492	815	537	75.0	12.83	80.9	
760	1	15440	1055	1019	75.0	6.04	75.3	11kW-6
	2	18477	1044	991	80.0	6.69	74.4	
	3	21514	1014	943	83.5	7.26	73.6	
	4	24551	964	871	85.6	7.69	73.5	
	5	27587	896	778	86.0	7.98	73.5	
	6	30624	811	666	84.6	8.15	74.2	
	7	33661	714	540	81.1	8.24	75.7	
	8	36698	608	401	75.0	8.26	77.4	
680	1	13815	845	815	75.0	4.32	72.6	7.5kW-6
	2	16532	836	793	80.0	4.79	71.7	
	3	19249	812	755	83.5	5.20	70.9	
	4	21966	772	698	85.6	5.50	70.8	
	5	24683	717	623	86.0	5.71	70.8	
	6	27401	649	533	84.6	5.84	71.5	
	7	30118	572	432	81.1	5.90	73.0	
	8	32835	487	321	75.0	5.92	74.7	

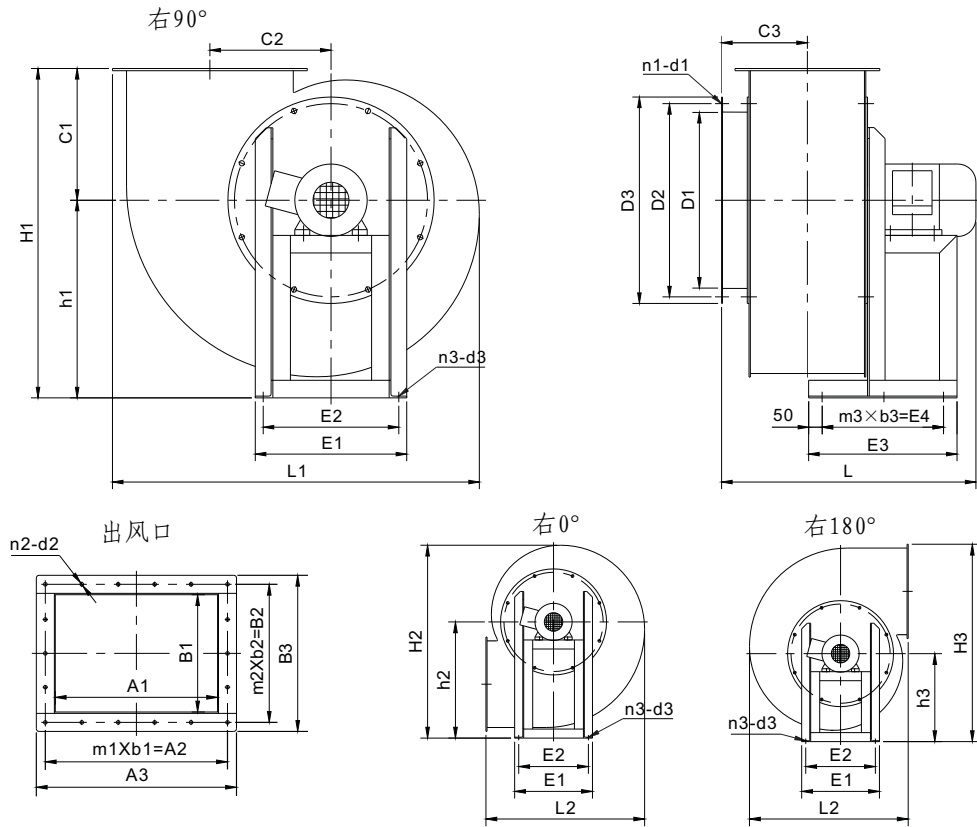
1120C性能参数表 Performance Chart

转速 Speed (r/min)	序号 No.	流量 Q (m ³ /h)	全压 Pt (Pa)	静压 Pst (Pa)	内效率 Efficiency (%)	轴功率 Shaft Power (kW)	声压级 L _p dB(A)	电机功率 Motor Power
1240	1	34940	3494	3372	75.0	45.22	93.3	75kW-4
	2	41812	3455	3281	80.0	50.14	92.4	
	3	48684	3358	3121	83.5	54.36	91.6	
	4	55556	3193	2885	85.6	57.58	91.5	
	5	62428	2965	2576	86.0	59.76	91.5	
	6	69300	2684	2206	84.6	61.05	92.2	
	7	76173	2365	1787	81.1	61.72	93.7	
	8	83045	2014	1326	75.0	61.92	95.4	
1110	1	31277	2800	2702	75.0	32.43	90.6	55kW-4
	2	37428	2769	2629	80.0	35.97	89.7	
	3	43580	2690	2501	83.5	38.99	88.9	
	4	49732	2558	2312	85.6	41.30	88.8	
	5	55883	2376	2065	86.0	42.87	88.8	
	6	62035	2151	1767	84.6	43.79	89.5	
	7	68187	1895	1432	81.1	44.27	91.0	
	8	74338	1613	1063	75.0	44.41	92.7	
1050	1	29586	2505	2418	75.0	27.45	89.3	45kW-4
	2	35405	2478	2353	80.0	30.45	88.4	
	3	41224	2407	2238	83.5	33.00	87.6	
	4	47044	2289	2069	85.6	34.96	87.5	
	5	52863	2126	1847	86.0	36.28	87.5	
	6	58682	1925	1581	84.6	37.07	88.2	
	7	64501	1696	1281	81.1	37.47	89.7	
	8	70320	1444	951	75.0	37.59	91.4	
990	1	27896	2227	2150	75.0	23.01	87.9	37kW-4
	2	33382	2203	2091	80.0	25.52	87.0	
	3	38869	2140	1990	83.5	27.66	86.2	
	4	44355	2035	1839	85.6	29.30	86.1	
	5	49842	1890	1642	86.0	30.41	86.1	
	6	55329	1711	1406	84.6	31.07	86.8	
	7	60815	1507	1139	81.1	31.41	88.3	
	8	66302	1283	845	75.0	31.51	90.0	
930	1	26205	1965	1897	75.0	19.08	86.4	30kW-6
	2	31359	1944	1846	80.0	21.15	85.5	
	3	36513	1889	1756	83.5	22.93	84.7	
	4	41667	1796	1623	85.6	24.29	84.6	
	5	46821	1668	1449	86.0	25.21	84.6	
	6	51975	1510	1241	84.6	25.75	85.3	
	7	57129	1330	1005	81.1	26.04	86.8	
	8	62283	1133	746	75.0	26.12	88.5	
830	1	23387	1565	1511	75.0	13.56	83.7	22kW-6
	2	27987	1548	1470	80.0	15.04	82.8	
	3	32587	1504	1398	83.5	16.30	82.0	
	4	37187	1430	1293	85.6	17.27	81.9	
	5	41787	1328	1154	86.0	17.92	81.9	
	6	46387	1203	988	84.6	18.31	82.6	
	7	50986	1060	800	81.1	18.51	84.1	
	8	55586	902	594	75.0	18.57	85.8	
730	1	20569	1211	1169	75.0	9.23	80.6	15kW-6
	2	24615	1198	1137	80.0	10.23	79.7	
	3	28661	1164	1082	83.5	11.09	78.9	
	4	32706	1107	1000	85.6	11.75	78.8	
	5	36752	1028	893	86.0	12.19	78.8	
	6	40798	930	764	84.6	12.46	79.5	
	7	44844	820	619	81.1	12.59	81.0	
	8	48889	698	460	75.0	12.63	82.7	

1250C性能参数表 Performance Chart

转速 Speed (r/min)	序号 No.	流量 Q (m ³ /h)	全压 Pt (Pa)	静压 Pst (Pa)	内效率 Efficiency (%)	轴功率 Shaft Power (kW)	声压级 L _p dB(A)	电机功率 Motor Power
1100	1	43089	3425	3306	75.0	54.66	93.7	90kW-4
	2	51564	3387	3216	80.0	60.62	92.8	
	3	60039	3291	3060	83.5	65.71	92.0	
	4	68514	3130	2828	85.6	69.60	91.9	
	5	76989	2906	2525	86.0	72.24	91.9	
	6	85464	2631	2162	84.6	73.80	92.6	
	7	93939	2318	1751	81.1	74.61	94.1	
	8	102414	1974	1300	75.0	74.85	95.8	
1050	1	41131	3121	3012	75.0	47.54	92.6	75kW-4
	2	49220	3086	2931	80.0	52.72	91.7	
	3	57310	2999	2788	83.5	57.15	90.9	
	4	65400	2852	2577	85.6	60.53	90.8	
	5	73489	2648	2301	86.0	62.83	90.8	
	6	81579	2397	1970	84.6	64.18	91.5	
	7	89669	2112	1596	81.1	64.89	93.0	
	8	97759	1798	1184	75.0	65.10	94.7	
930	1	36430	2448	2363	75.0	33.03	89.7	55kW-4
	2	43595	2421	2299	80.0	36.63	88.8	
	3	50760	2353	2187	83.5	39.71	88.0	
	4	57925	2237	2021	85.6	42.06	87.9	
	5	65091	2077	1805	86.0	43.66	87.9	
	6	72256	1881	1545	84.6	44.60	88.6	
	7	79421	1657	1252	81.1	45.09	90.1	
	8	86586	1411	929	75.0	45.23	91.8	
870	1	34080	2142	2068	75.0	27.04	88.1	45kW-4
	2	40783	2119	2012	80.0	29.99	87.2	
	3	47485	2059	1914	83.5	32.51	86.4	
	4	54188	1958	1769	85.6	34.43	86.3	
	5	60891	1818	1580	86.0	35.74	86.3	
	6	67594	1646	1352	84.6	36.51	87.0	
	7	74297	1450	1095	81.1	36.91	88.5	
	8	81000	1235	813	75.0	37.03	90.2	
830	1	32513	1950	1882	75.0	23.48	87.0	37kW-6
	2	38907	1928	1831	80.0	26.04	86.1	
	3	45302	1874	1742	83.5	28.23	85.3	
	4	51697	1782	1610	85.6	29.90	85.2	
	5	58092	1655	1438	86.0	31.03	85.2	
	6	64486	1498	1231	84.6	31.70	85.9	
	7	70881	1320	997	81.1	32.05	87.4	
	8	77276	1124	740	75.0	32.15	89.1	
770	1	30162	1678	1620	75.0	18.75	85.2	30kW-6
	2	36095	1660	1576	80.0	20.79	84.3	
	3	42027	1613	1499	83.5	22.54	83.5	
	4	47960	1534	1386	85.6	23.87	83.4	
	5	53892	1424	1237	86.0	24.78	83.4	
	6	59825	1289	1059	84.6	25.31	84.1	
	7	65757	1136	858	81.1	25.59	85.6	
	8	71690	967	637	75.0	25.67	87.3	
690	1	27029	1348	1301	75.0	13.49	82.6	22kW-6
	2	32345	1333	1266	80.0	14.96	81.7	
	3	37661	1295	1204	83.5	16.22	80.9	
	4	42977	1231	1113	85.6	17.18	80.8	
	5	48293	1144	994	86.0	17.83	80.8	
	6	53609	1035	851	84.6	18.21	81.5	
	7	58925	912	689	81.1	18.41	83.0	
	8	64241	777	511	75.0	18.47	84.7	

A式(250A-630A)外形安装尺寸 Dimension

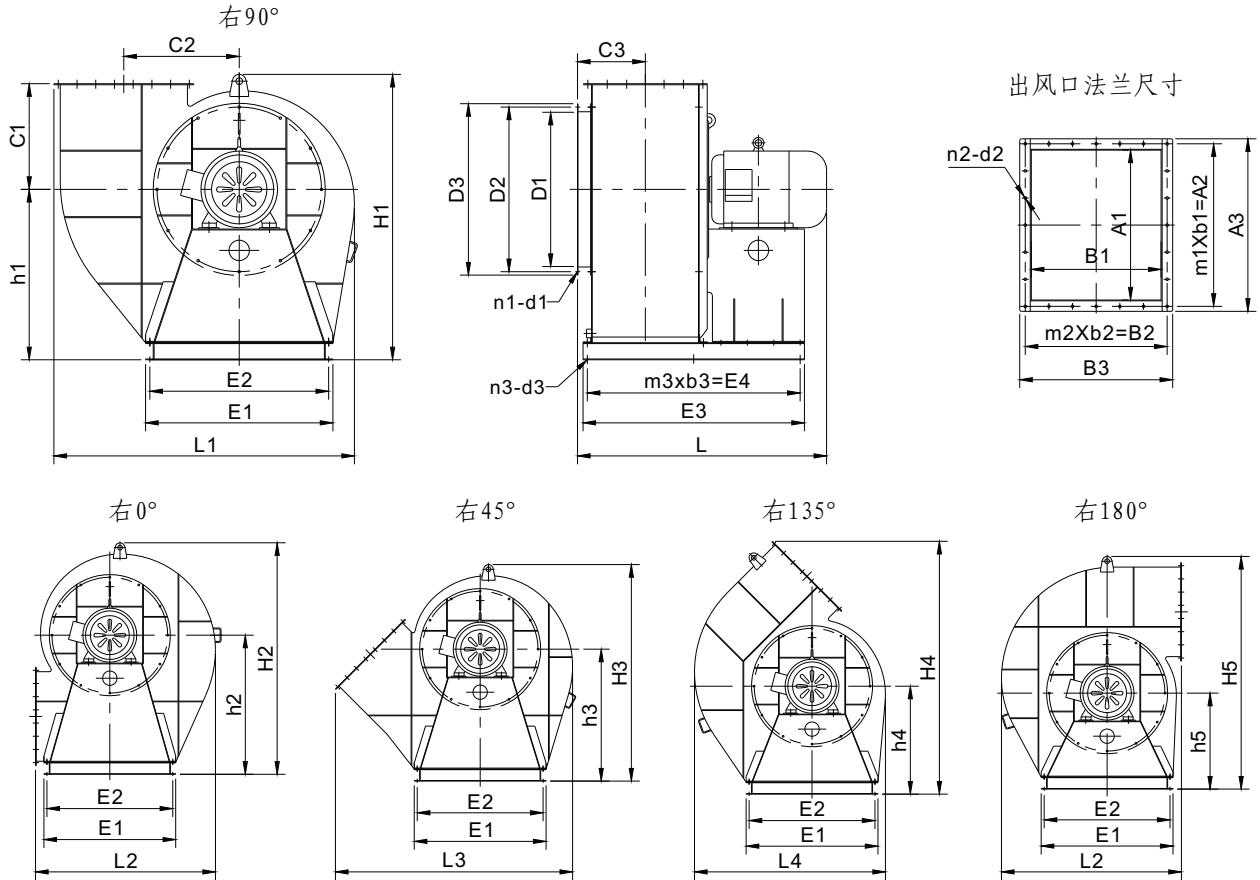


机号 Model	进风口Inlet				出风口Outlet							外形尺寸Dimension		
	D1	D2	D3	n1-d1	A1	m1Xb1=A2	A3	B1	m2Xb2=B2	B3	n2-d2	C1	C2	C3
250A	Φ250	Φ280	Φ300	8-Φ10	197	58x4=232	260	170	52x4=208	236	16-Φ7	180	184.5	150
280A	Φ286	Φ321	Φ340	8-Φ10	226	65x4=260	289	196	58x4=232	262	16-Φ7	210	213	163
315A	Φ320	Φ356	Φ380	8-Φ10	253	72x4=288	316	219	64x4=256	285	16-Φ7	230	237.5	174.5
355A	Φ362	Φ397	Φ425	8-Φ10	286	80x4=320	349	247	71x4=284	313	16-Φ7	250	268	188.5
400A	Φ410	Φ456	Φ480	8-Φ12	322	89x4=356	386	279	79x4=316	345	16-Φ7	280	302.5	204.5
450A	Φ457	Φ505	Φ530	8-Φ12	361	79x5=395	425	313	70x5=350	379	20-Φ7	300	340	221.5
500A	Φ506	Φ554	Φ585	8-Φ12	404	88.6x5=443	478	350	78x5=390	426	20-Φ7	325	380	250
560A	Φ570	Φ629	Φ660	12-Φ15	454	99x5=495	528	393	87x5=435	469	20-Φ7	365	426	271.5
630A	Φ640	Φ700	Φ730	12-Φ15	509	92x6=552	593	441	81x6=486	527	24-Φ10	410	479	295.5

机号 Model	功率 Power	外形尺寸Dimension													重量 Weight (kg)	
		H1	H2	H3	h1	h2	h3	L	L1	L2	E1	E2	E3	E4		n3-d3
250A	0.75kW-2	480	544	560	300	350	245	490	508	430	250	210	300	200x1=200	4-Φ13	24
280A	1.1kW-2	550	611	628	340	390	270	516	579	496	250	210	320	220x1=220	4-Φ13	30
315A	0.55kW-4	600	675	691	370	430	295	539	641	548	250	210	340	240x1=240	4-Φ13	35
	1.5kW-2	600	675	691	370	430	295	554			270	230	350	250x1=250		
355A	0.55kW-4	660	751	773	410	475	330	567	719	607	250	210	350	250x1=250	4-Φ13	43
	3kW-2	660	751	773	410	475	330	642			290	250	380	280x1=280		
400A	0.75kW-4	730	839	856	450	530	360	599	804	681	350	310	370	135x2=270	6-Φ15	56
	5.5kW-2	745	849	866	465	540	370	749			380	330	450	175x2=350		63
450A	1.1kW-4	810	941	963	510	595	410	648	898	749	400	350	380	140x2=280	6-Φ15	71
	11kW-2	820	956	973	520	610	420	878			456	400	550	225x2=450		87
500A	2.2kW-4	885	1045	1069	560	660	450	755	1004	825	430	380	420	160x2=320	6-Φ15	90
	15kW-2	895	1055	1079	570	670	460	925			456	400	600	250x2=500		107.6
	18.5kW-2							970								
560A	4kW-4	985	1161	1180	620	730	490	818	1121	925	460	410	500	200x2=400	6-Φ15	112.7
	30kW-2	995	1171	1200	630	740	510	1143			520	460	700	300x2=600		136.9
630A	2.2kW-6	1100	1292	1316	690	810	540	866	1258	1037	500	450	530	215x2=430	6-Φ15	142
	5.5kW-4							921					580	240x2=480		143
	7.5kW-4							961					580	240x2=480		143

注:表中的重量数据不包含配用电机的重量。
Description: Table not include the weight of motor.

A式(710A-1250A)外形安装尺寸 Dimension

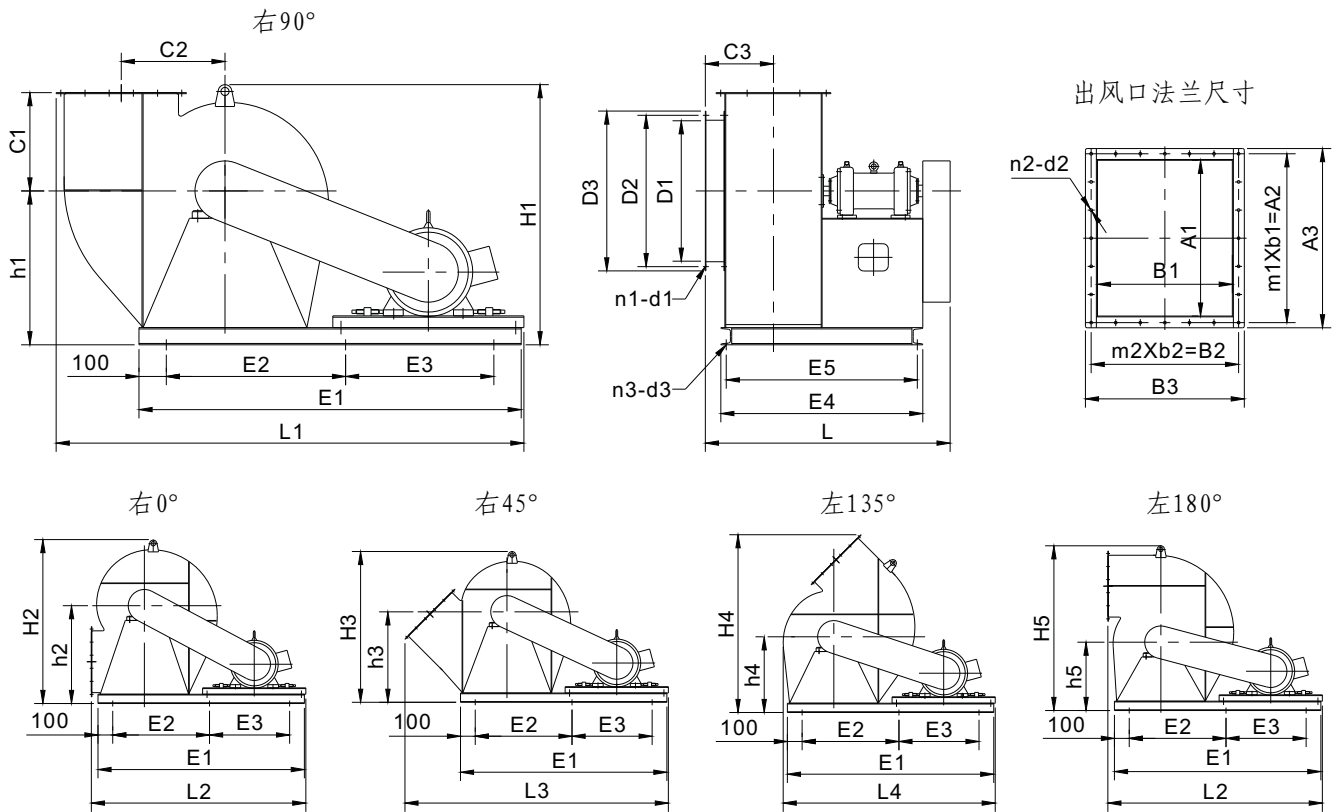


机号 Model	进风口Inlet				出风口Outlet							外形尺寸Dimension		
	D1	D2	D3	n1-d1	A1	m1xb1=A2	A3	B1	m2xb2=B2	B3	n2-d2	C1	C2	C3
710A	Φ715	Φ778	Φ810	12-Φ15	570	103x6=618	656	494	90x6=540	582	24-Φ10	520	536	324
800A	Φ805	Φ866	Φ905	12-Φ15	638	114x6=684	724	552	100x6=600	640	24-Φ10	570	600	362
900A	Φ905	Φ966	Φ1006	12-Φ15	721	111x7=777	827	624	114x6=684	732	26-Φ10	620	678	398
1000A	Φ1005	Φ1074	Φ1106	12-Φ15	796	107x8=856	902	689	107x7=749	797	30-Φ12	670	748	431
1120A	Φ1130	Φ1221	Φ1270	16-Φ16	887	118x8=944	995	768	104x8=832	878	32-Φ12	800	834	507
1250A	Φ1250	Φ1340	Φ1400	16-Φ16	990	131x8=1048	1098	858	115x8=920	968	38-Φ12	850	931	552

机号 Model	电机功率 Power	外形尺寸Dimension																	重量 Weight (kg)			
		H1	H2	H3	H4	H5	h1	h2	h3	h4	h5	L	L1	L2	L3	L4	E1	E2		E3	m3xb3=E4	n3-d3
710A	4kW-6											1035							950	450x2=900	6-Φ18	333
	11kW-4	1355	1580	1480	1730	1575	800	950	900	750	650	1100	1403	1221	1592	1267	900	850	1050	500x2=1000		342
	15kW-4											1145							1050	500x2=1000		
800A	7.5kW-6											1164							1060	505x2=1010	6-Φ18	407
	18.5kW-4	1541	1765	1660	1885	1755	900	1050	1000	800	700	1234	1562	1352	1767	1413	1000	950	1150	550x2=1100		425
	22kW-4											1274							1150	550x2=1100		
900A	15kW-6											1358							1240	595x2=1190	6-Φ18	526
	37kW-4	1705	1996	1827	2110	1966	1000	1200	1100	900	800	1438	1768	1502	1982	1594	1100	1050	1300	625x2=1250		534
	45kW-4											1463							1300	625x2=1250		
1000A	18.5kW-6											1491							1350	655x2=1310	6-Φ20	688
	55kW-4	1865	2165	1990	2322	2125	1100	1300	1200	1000	850	1626	1945	1642	2173	1757	1200	1160	1460	710x2=1420		730
	75kW-4											1696							1520	740x2=1480		
1120A	30kW-6											1645							1500	485x3=1455	8-Φ20	1010
	37kW-6	2082	2403	2240	2577	2412	1220	1420	1340	1070	970	1730	2163	1833	2455	1958	1350	1304	1550	502x3=1505		1006
1250A	55kW-6	2282	2647	2455	2868	2660	1340	1570	1470	1220	1070	1920	2406	2058	2704	2182	1500	1454	1750	568x3=1704	8-Φ20	1274

注:表中的重量数据不包含配用电机的重量。
Description: Table not include the weight of motor.

C式外形安装尺寸 Dimension



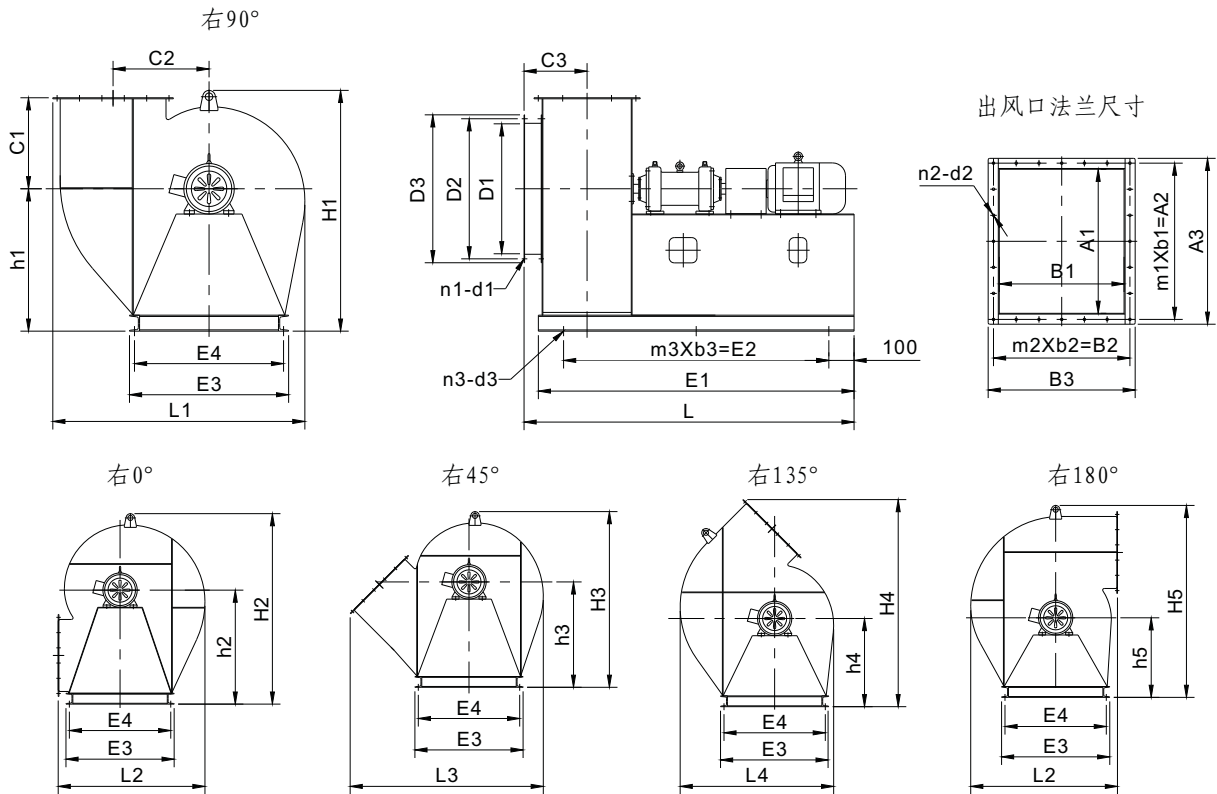
机号 Model	进风口 Inlet				出风口 Outlet							外形尺寸 Dimension		
	D1	D2	D3	n1-d1	A1	m1xb1=A2	A3	B1	m2xb2=B2	B3	n2-d2	C1	C2	C3
500C	Φ506	Φ554	Φ585	8-Φ12	404	88.6x5=443	478	350	78x5=390	426	20-Φ7	360	380	250
560C	Φ570	Φ629	Φ660	12-Φ15	454	99x5=495	528	393	87x5=435	469	20-Φ7	410	426	271.5
630C	Φ640	Φ700	Φ730	12-Φ15	509	92x6=552	593	441	81x6=486	527	24-Φ10	460	479	295.5
710C	Φ715	Φ778	Φ810	12-Φ15	570	103x6=618	656	494	90x6=540	582	24-Φ10	520	536	324
800C	Φ805	Φ866	Φ905	12-Φ15	638	114x6=684	724	552	100x6=600	640	24-Φ10	570	600	362
900C	Φ905	Φ966	Φ1006	12-Φ15	721	111x7=777	827	624	114x6=684	732	26-Φ10	620	678	398
1000C	Φ1005	Φ1074	Φ1106	12-Φ15	796	107x8=856	902	689	107x7=749	797	30-Φ12	670	748	431
1120C	Φ1130	Φ1221	Φ1270	16-Φ16	887	118x8=944	995	768	104x8=832	878	32-Φ12	800	834	507
1250C	Φ1250	Φ1340	Φ1400	16-Φ16	990	131x8=1048	1098	858	115x8=920	968	38-Φ12	850	931	552

机号 Model	配用电机 Motor	外形尺寸 Dimension																		重量 Weight (kg)				
		H1	H2	H3	H4	H5	h1	h2	h3	h4	h5	L	L1	L2	L3	L4	E1	E2	E3		E4	E5	n3-d3	
500C	Y160												1715	1455	1790	1440	1400		600					
	Y100~Y132	1000	1150	1050	1250	1150	563	663	613	513	463	900	1615	1355	1690	1340	1300		600	740	700	6-Φ18	190	
560C	Y160~Y200												1900	1610	2000	1600	1550		675					
	Y100~Y132	1100	1300	1200	1350	1250	663	763	713	563	513	1030	1750	1460	1850	1450	1400		675	840	800	6-Φ18	240	
630C	Y160~Y200												2100	1760	2200	1750	1700		750					
	Y100~Y132	1250	1450	1350	1500	1450	730	830	780	630	580	1080	1900	1560	2000	1550	1500		750	895	855	6-Φ18	285	
710C	Y200~Y225												2220	1860	2350	1850	1800		800					
	Y132~Y180	1345	1575	1465	1710	1565	780	930	880	730	630	1230	2060	1710	2200	1700	1650		800	1040	1000	6-Φ18	410	
800C	Y200~Y225												2350	1960	2500	1950	1900		850					
	Y132~Y180	1541	1765	1660	1885	1755	900	1050	1000	800	700	1310	2250	1860	2400	1850	1800		850	1100	1060	6-Φ18	470	
900C	Y200~Y225												2650	2200	2800	2200	2100		950					
	Y160~Y180	1705	1996	1827	2110	1966	1000	1200	1100	900	800	1610	2500	2050	2600	2050	1950		950	1380	1340	6-Φ18	605	
1000C	Y200~Y250												2900	2400	3050	2400	2300		1050					
	Y160~Y180	1865	2165	1990	2322	2125	1100	1300	1200	1000	850	1675	2700	2200	2850	2200	2100		1050	1440	1400	6-Φ20	730	
1120C	Y250~Y280												3100	2600	3300	2550	2450		1125					
	Y180~Y225	2082	2403	2240	2577	2412	1220	1420	1340	1070	970	1925	3000	2450	3150	2400	2300		1125	1630	1580	6-Φ20	1115	
1250C	Y200~Y280	2282	2647	2455	2868	2660	1340	1570	1470	1220	1070	2000	3350	2700	3500	2700	2600		1200	1200	1700	1650	6-Φ20	1295

注:表中的重量数据不包含配用电机和皮带轮的重量。

Description: The weight data not include the weight of motor and pulley.

D式外形安装尺寸 Dimension



机号 Model	进风口 Inlet				出风口 Outlet							外形尺寸 Dimension		
	D1	D2	D3	n1-d1	A1	m1Xb1=A2	A3	B1	m2Xb2=B2	B3	n2-d2	C1	C2	C3
500D	Φ506	Φ554	Φ585	8-Φ12	404	88.6x5=443	478	350	78x5=390	426	20-Φ7	360	380	250
560D	Φ570	Φ629	Φ660	12-Φ15	454	99x5=495	528	393	87x5=435	469	20-Φ7	410	426	271.5
630D	Φ640	Φ700	Φ730	12-Φ15	509	92x6=552	593	441	81x6=486	527	24-Φ10	460	479	295.5
710D	Φ715	Φ778	Φ810	12-Φ15	570	103x6=618	656	494	90x6=540	582	24-Φ10	520	536	324
800D	Φ805	Φ866	Φ905	12-Φ15	638	114x6=684	724	552	100x6=600	640	24-Φ10	570	600	362
900D	Φ905	Φ966	Φ1006	12-Φ15	721	111x7=777	827	624	114x6=684	732	26-Φ10	620	678	398
1000D	Φ1005	Φ1074	Φ1106	12-Φ15	796	107x8=856	902	689	107x7=749	797	30-Φ12	670	748	431
1120D	Φ1130	Φ1221	Φ1270	16-Φ16	887	118x8=944	995	768	104x8=832	878	32-Φ12	800	834	507
1250D	Φ1250	Φ1340	Φ1400	16-Φ16	990	131x8=1048	1098	858	115x8=920	968	38-Φ12	850	931	552

机号 Model	电机功率 Power	外形尺寸 Dimension																	重量 Weight (kg)			
		H1	H2	H3	H4	H5	h1	h2	h3	h4	h5	L	L1	L2	L3	L4	E1	m3Xb3=E2		E3	E4	n3-d3
500D	18.5kW-2	1000	1150	1050	1250	1150	563	663	613	513	463	1550	1000	854	1230	900	1400	600x2=1200	630	590	6-Φ18	185
	1280											1200					500x2=1000					
560D	30kW-2	1100	1300	1200	1350	1250	663	763	713	563	513	1810	1120	970	1270	1010	1600	700x2=1400	730	690	6-Φ18	220
	1415											1300					550x2=1100					
630D	7.5kW-4	1250	1450	1350	1500	1450	730	830	780	630	580	1600	1260	1100	1430	1140	1450	625x2=1250	840	800	6-Φ18	300
	1480											1350					575x2=1150					
710D	15kW-4	1345	1575	1465	1710	1565	780	930	880	730	630	1880	1403	1221	1592	1267	1750	775x2=1550	940	900	6-Φ18	430
	1750											1600					700x2=1400					
800D	22kW-4	1541	1765	1660	1885	1755	900	1050	1000	800	700	2010	1562	1352	1767	1413	1850	825x2=1650	1040	1000	6-Φ18	510
	1900											1750					775x2=1550					
900D	45kW-4	1705	1996	1827	2110	1966	1000	1200	1100	900	800	2450	1768	1502	1982	1594	2250	1025x2=2050	1140	1100	6-Φ18	640
	2320											2150					975x2=1950					
1000D	75kW-4	1865	2165	1990	2322	2125	1100	1300	1200	1000	850	2640	1945	1642	2173	1757	2400	1100x2=2200	1240	1200	6-Φ20	760
	2350											2200					1000x2=2000					
1120D	37kW-6	2082	2403	2240	2577	2412	1220	1420	1340	1070	970	2830	2163	1883	2455	1958	2600	800x3=2400	1390	1340	8-Φ20	1160
1250D	75kW-6	2282	2647	2455	2868	2660	1340	1570	1470	1220	1070	3180	2406	2058	2704	2182	2850	883x3=2650	1540	1490	8-Φ20	1370
	3010											2750					850x3=2550					

注：表中的重量数据不包含配用电机和联轴器的重量。配用不同厂家的电机时，会因为电机型号不同而导致外形尺寸略有差异。
 Remark: The weight data not include the weight of motor and Coupling. When equipped with different motors, the overall dimension may be slight different because of the different motor size.