



# PDF无蜗壳空调风机

后倾叶轮

直联传动

**PDF Series**

**Backward Blades**

**Direct Driven**

**Centrifugal Plug Fan**



广东肇庆德通有限公司  
GuangDong zhaoqing DETON Co., Ltd.  
Sept. 2011

## 产品命名方式 Designation of Products

**PDF - 355**



## 运转极限 Operational limits

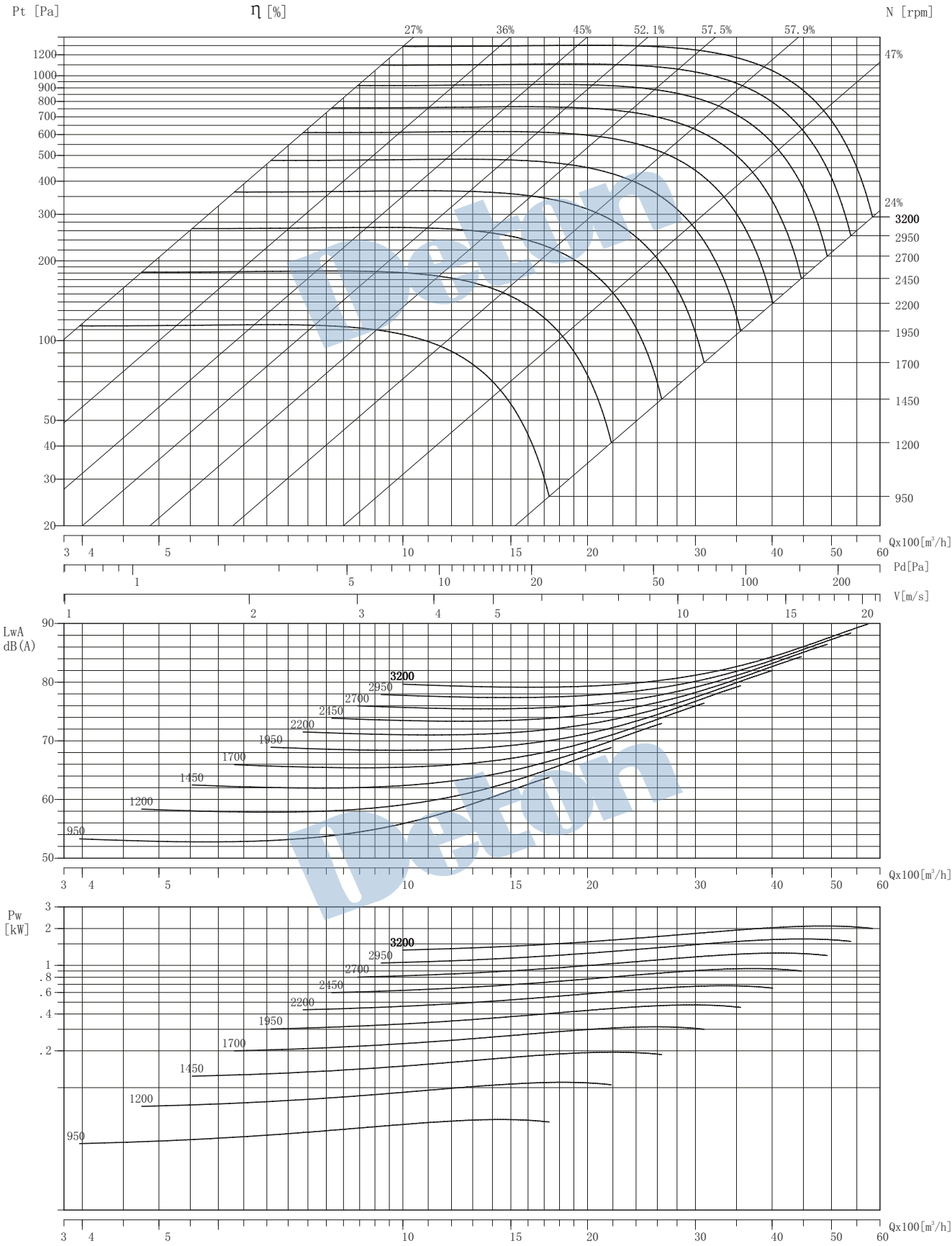
		315	355	400	450	500	560	630	710	800	900	1000
最大输入功率 Max Absorbed Power	kw	4	5	6	10	11	13	16	20	22	22	22
风机最高转速 Max Speed	rpm	3600	3500	3200	2900	2550	2200	2000	1800	1600	1200	1050
介质温度(最低-10℃) Temp. range (min. -10℃)	max. °C	40	40	40	40	40	40	40	40	40	40	40

PDF系列风机性能参数未经AMCA认证。  
Performance of PDF Fans are not licensed by AMCA International.



# PDF315

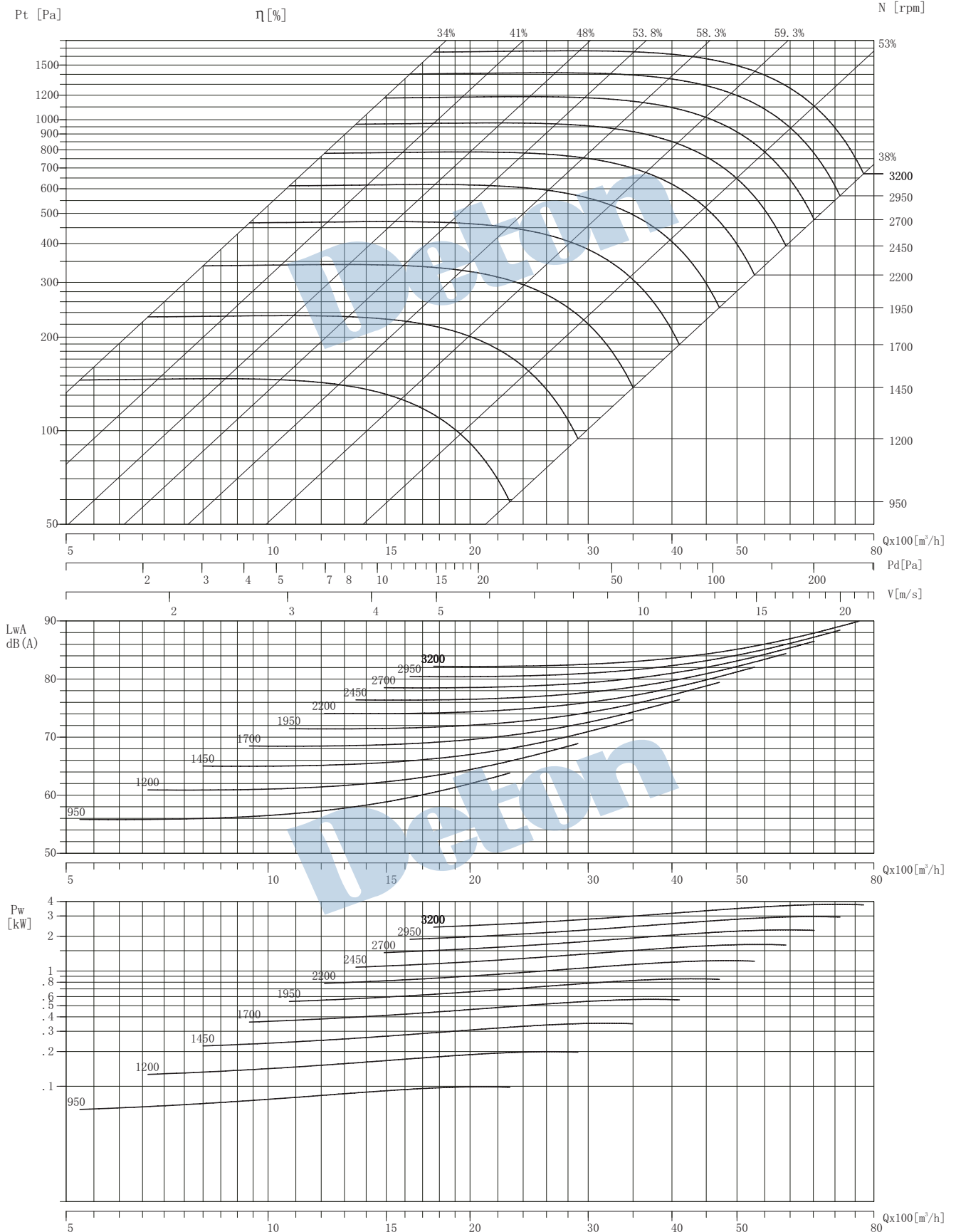
Air Density: 1.2 kg/m<sup>3</sup>



Performance shown is installation type B-free inlet, ducted outlet. Performance ratings do not include the effects of appurtenances in the airstream. Power ratings does not include drive losses.

# PDF355

Air Density: 1.2 kg/m<sup>3</sup>

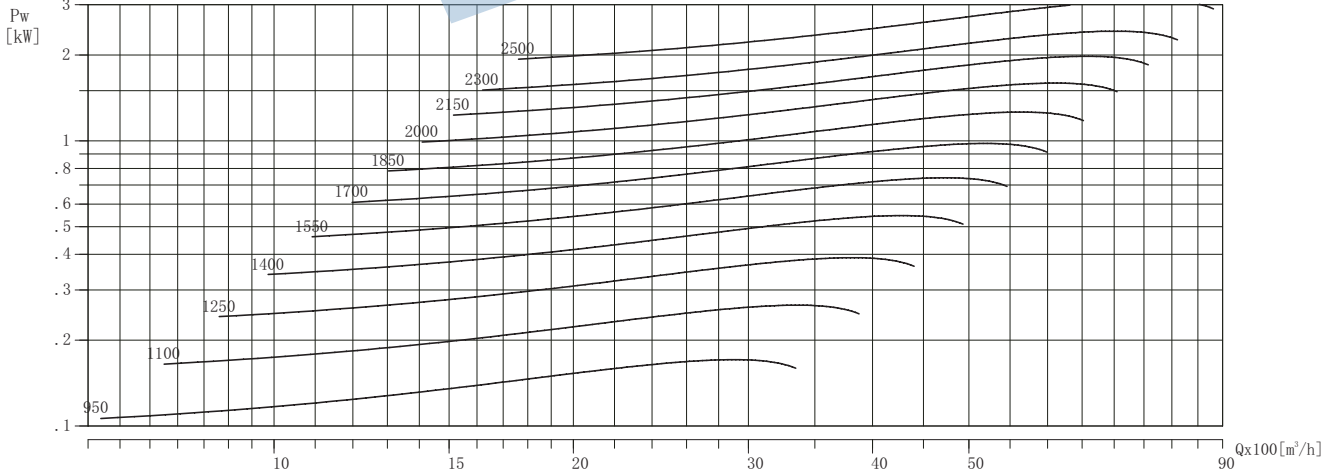
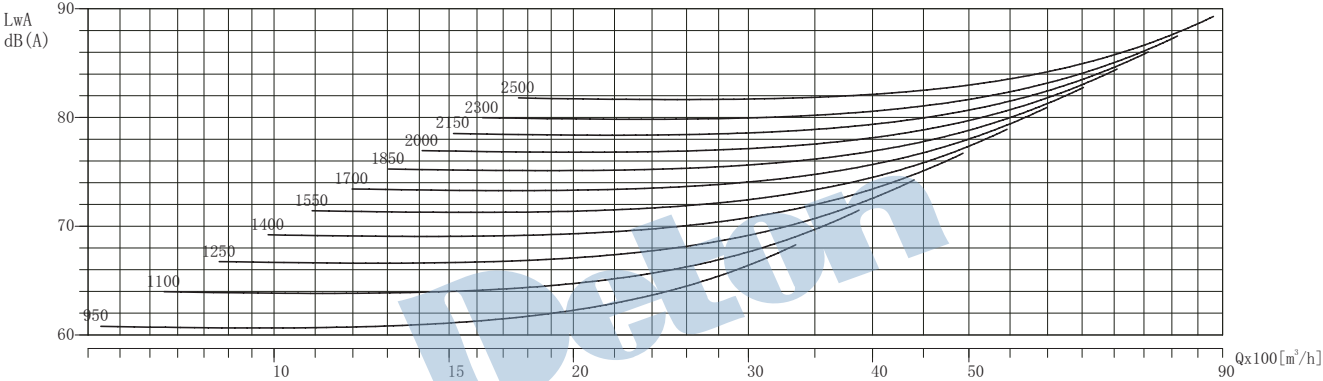
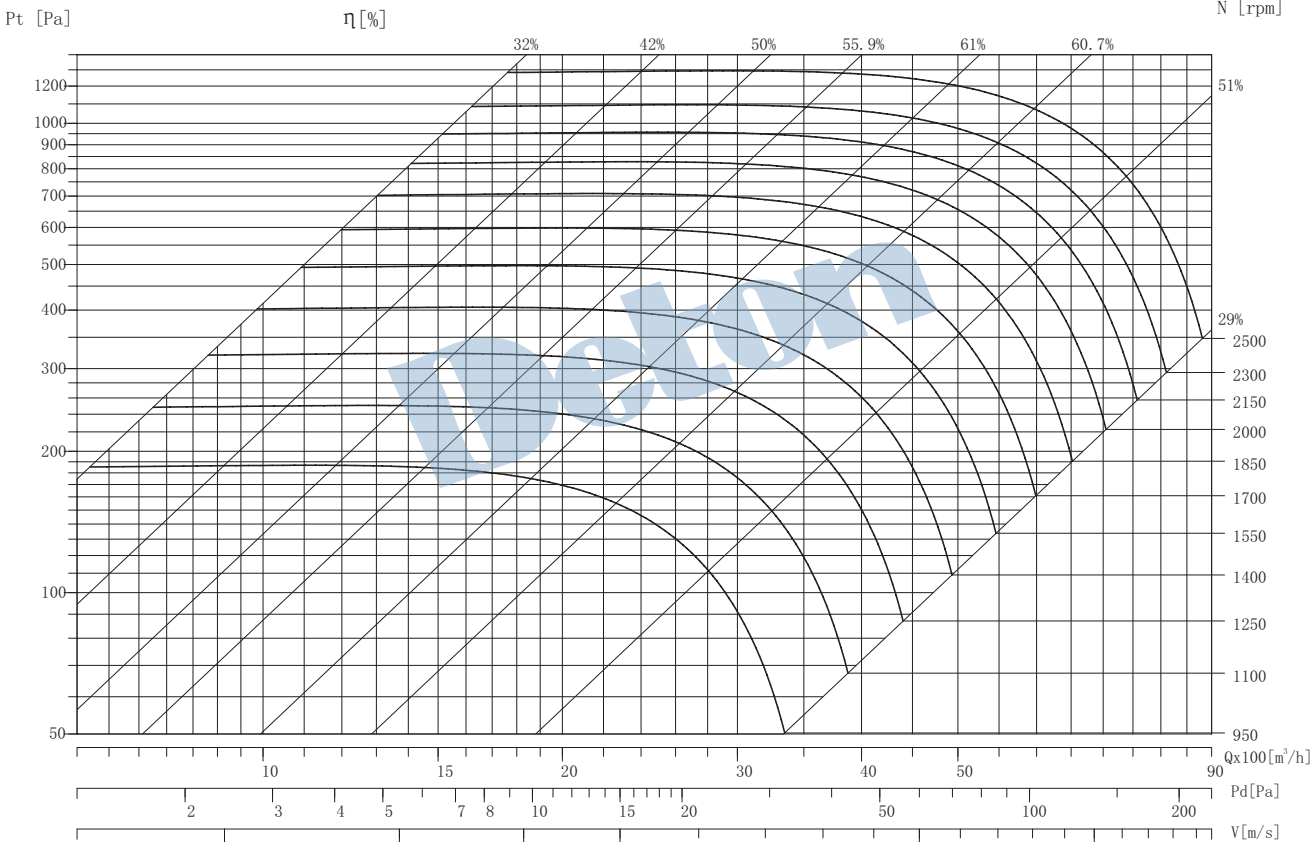


Performance shown is installation type B-free inlet, ducted outlet. Performance ratings do not include the effects of appurtenances in the airstream. Power ratings does not include drive losses.



# PDF400

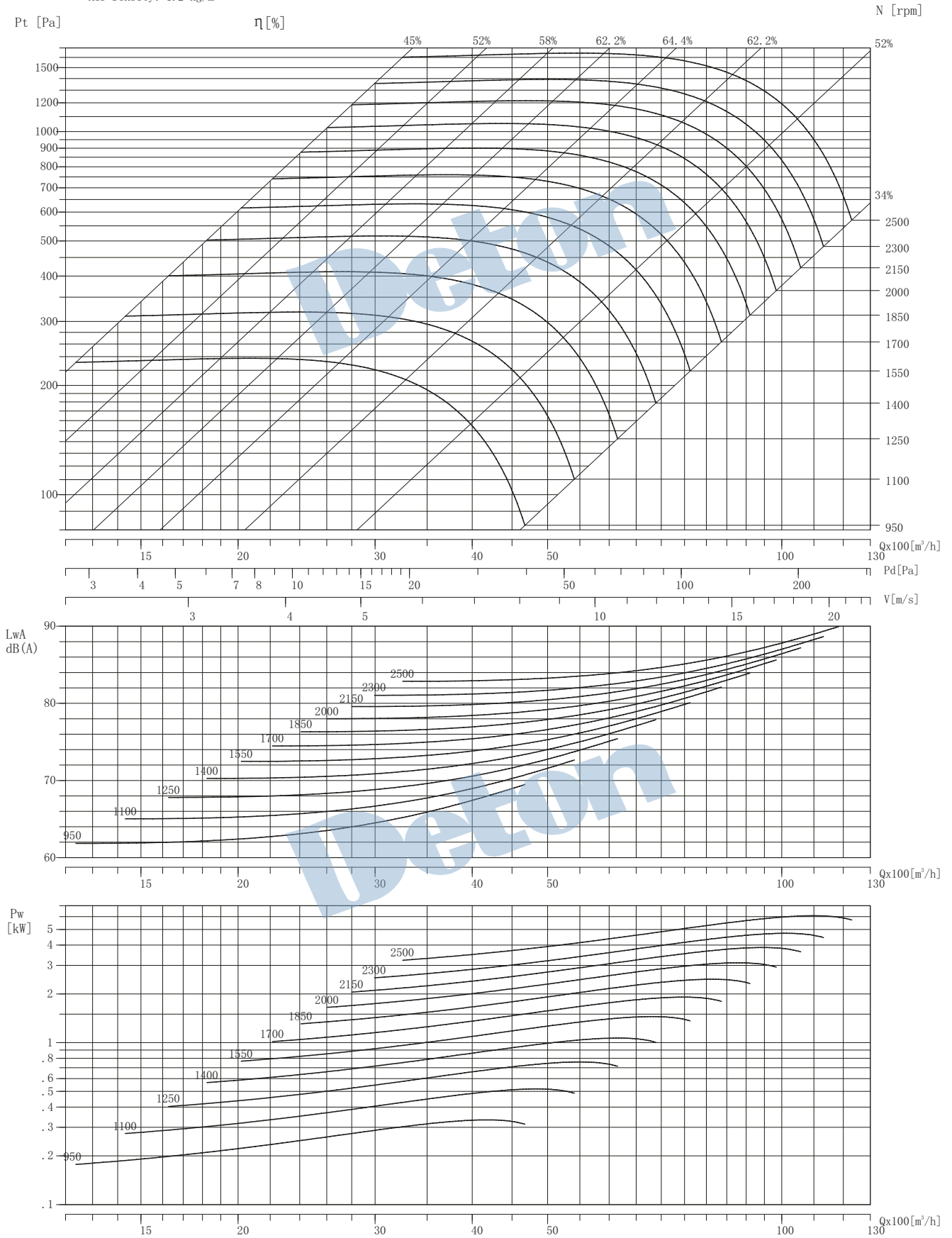
Air Density: 1.2 kg/m<sup>3</sup>



Performance shown is installation type B-free inlet, ducted outlet. Performance ratings do not include the effects of appurtenances in the airstream. Power ratings does not include drive losses.

# PDF450

Air Density: 1.2 kg/m<sup>3</sup>

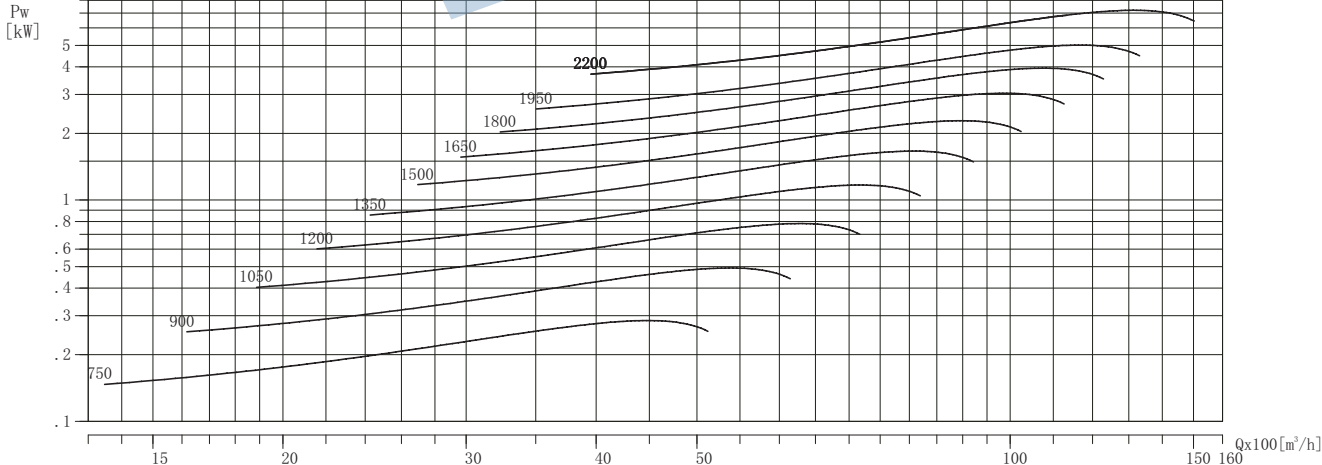
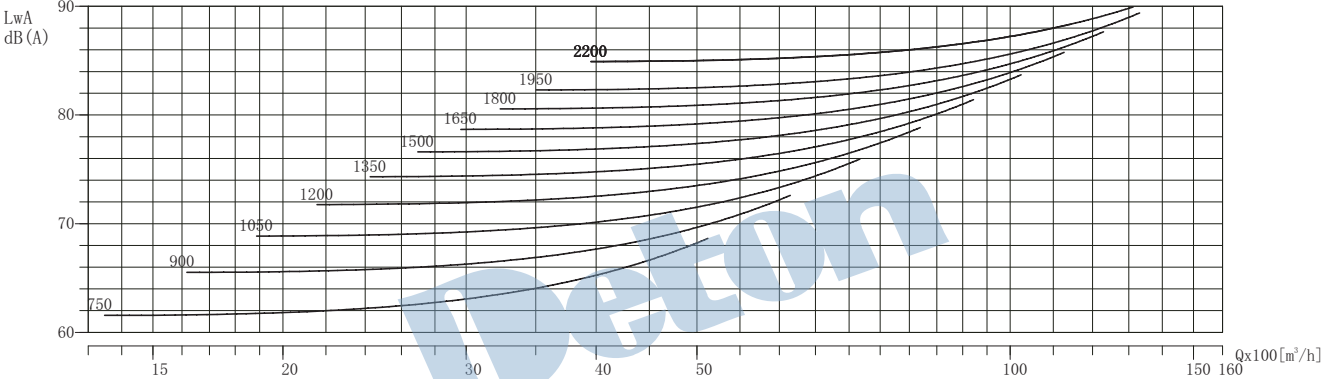
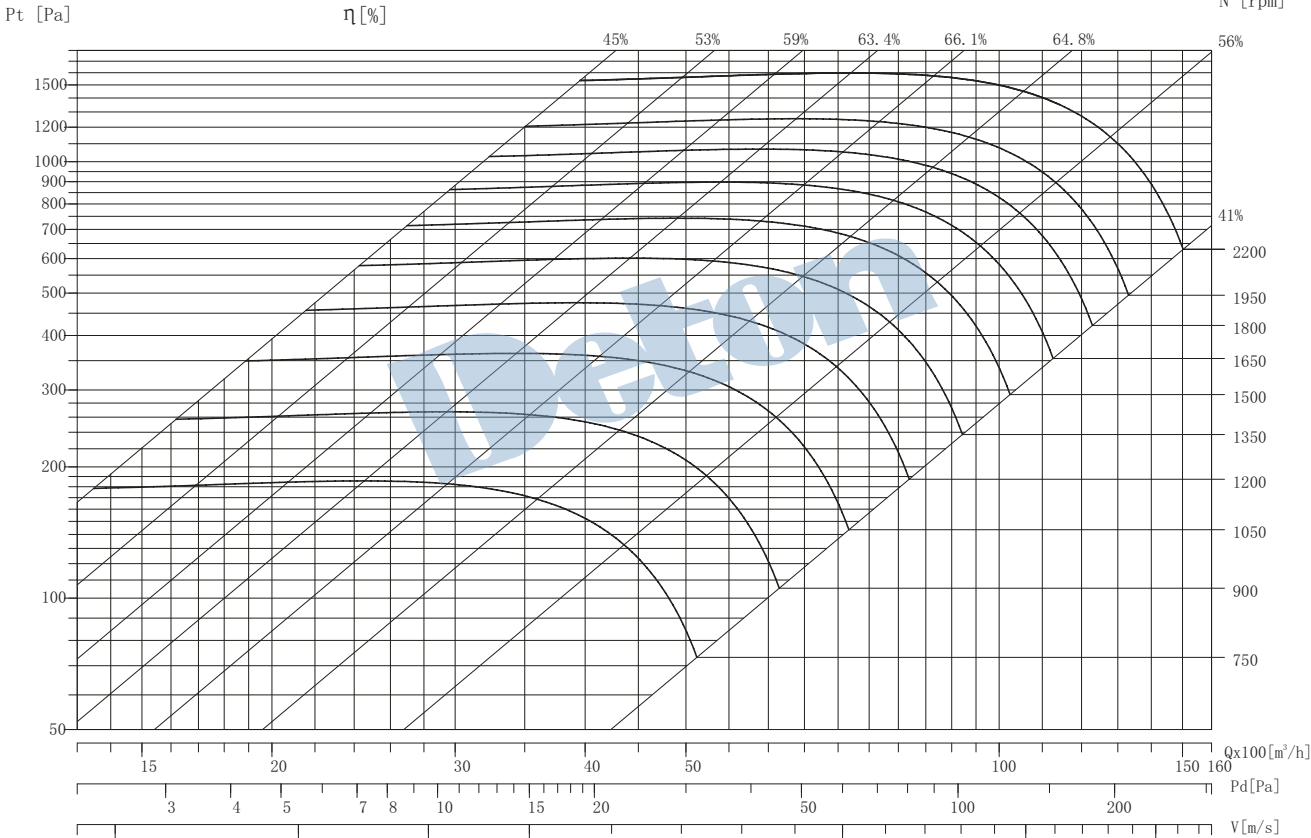


Performance shown is installation type B-free inlet, ducted outlet. Performance ratings do not include the effects of appurtenances in the airstream. Power ratings does not include drive losses.



# PDF500

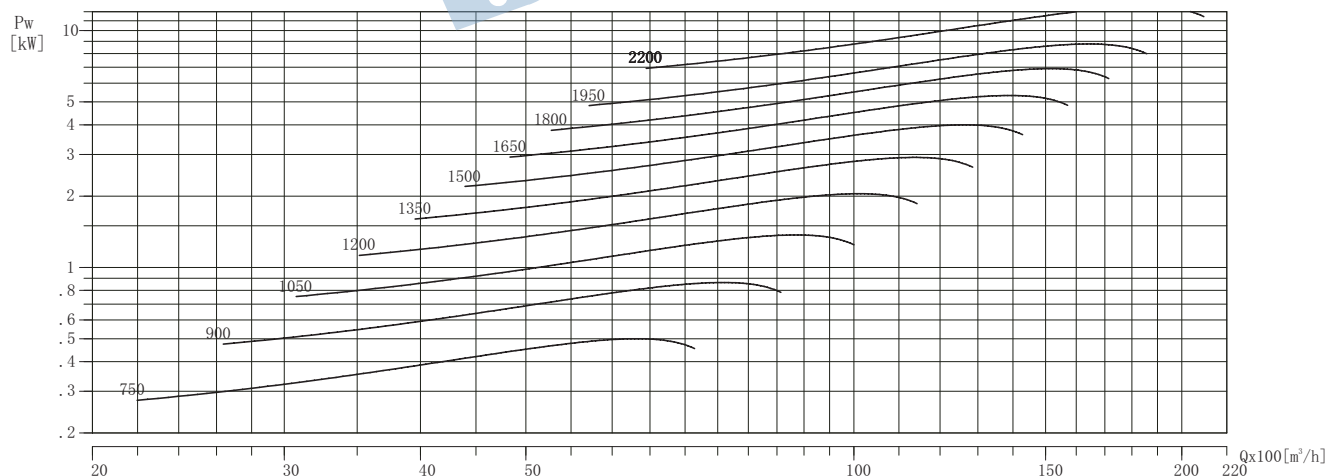
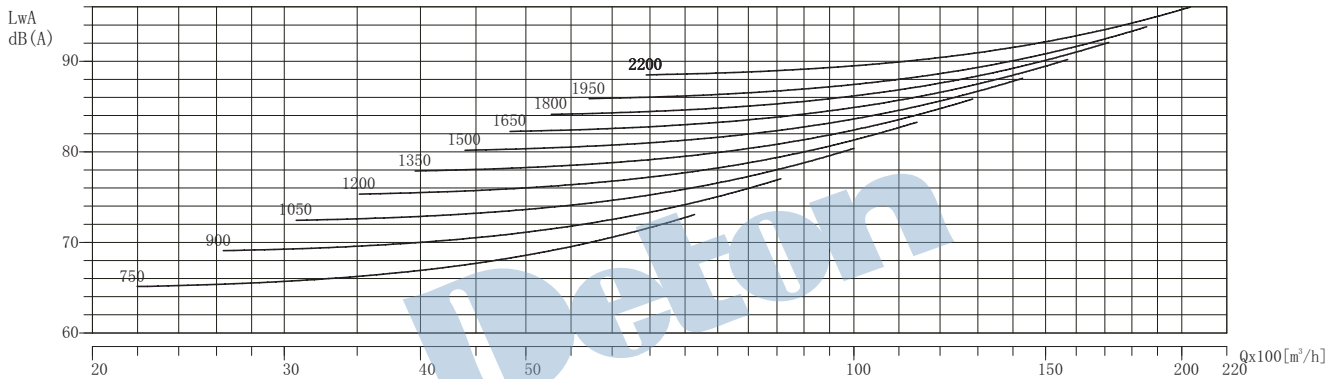
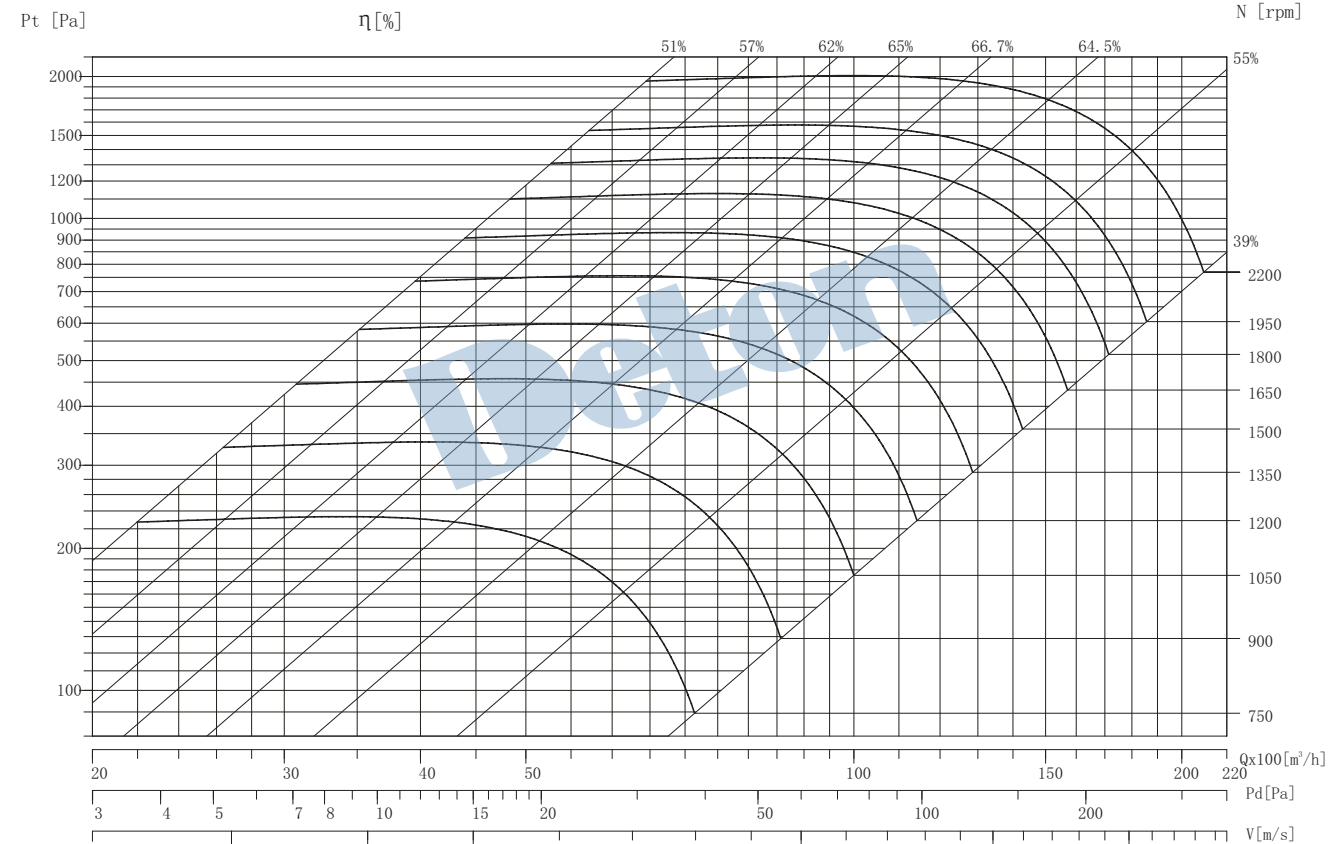
Air Density: 1.2 kg/m<sup>3</sup>



Performance shown is installation type B-free inlet, ducted outlet. Performance ratings do not include the effects of appurtenances in the airstream. Power ratings does not include drive losses.

# PDF560

Air Density: 1.2 kg/m<sup>3</sup>



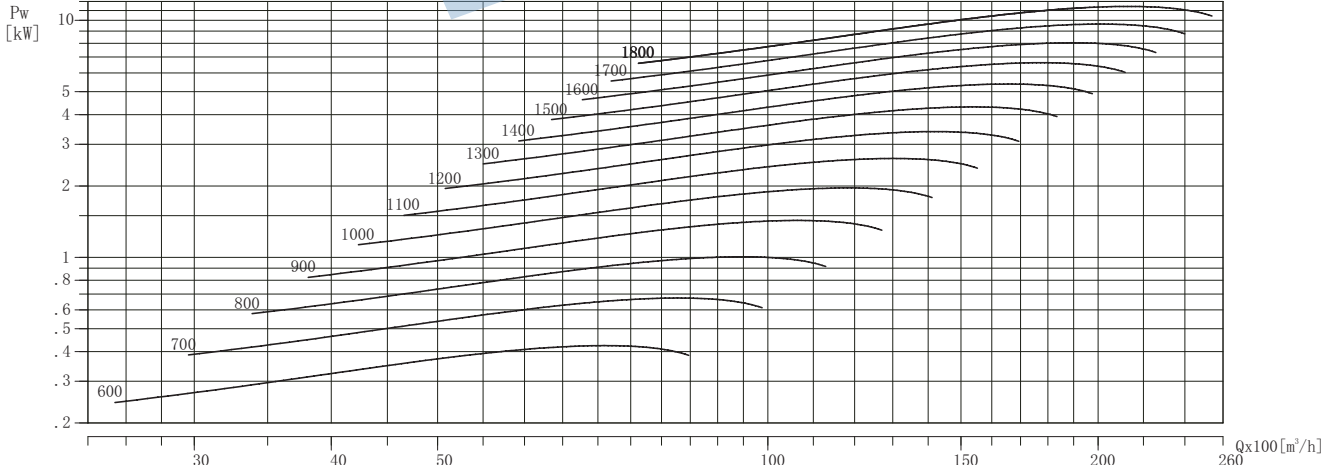
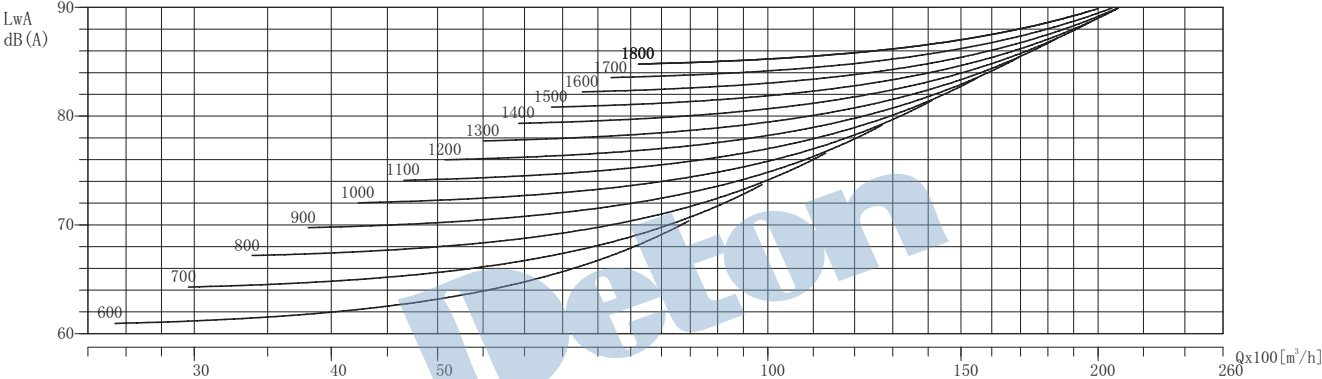
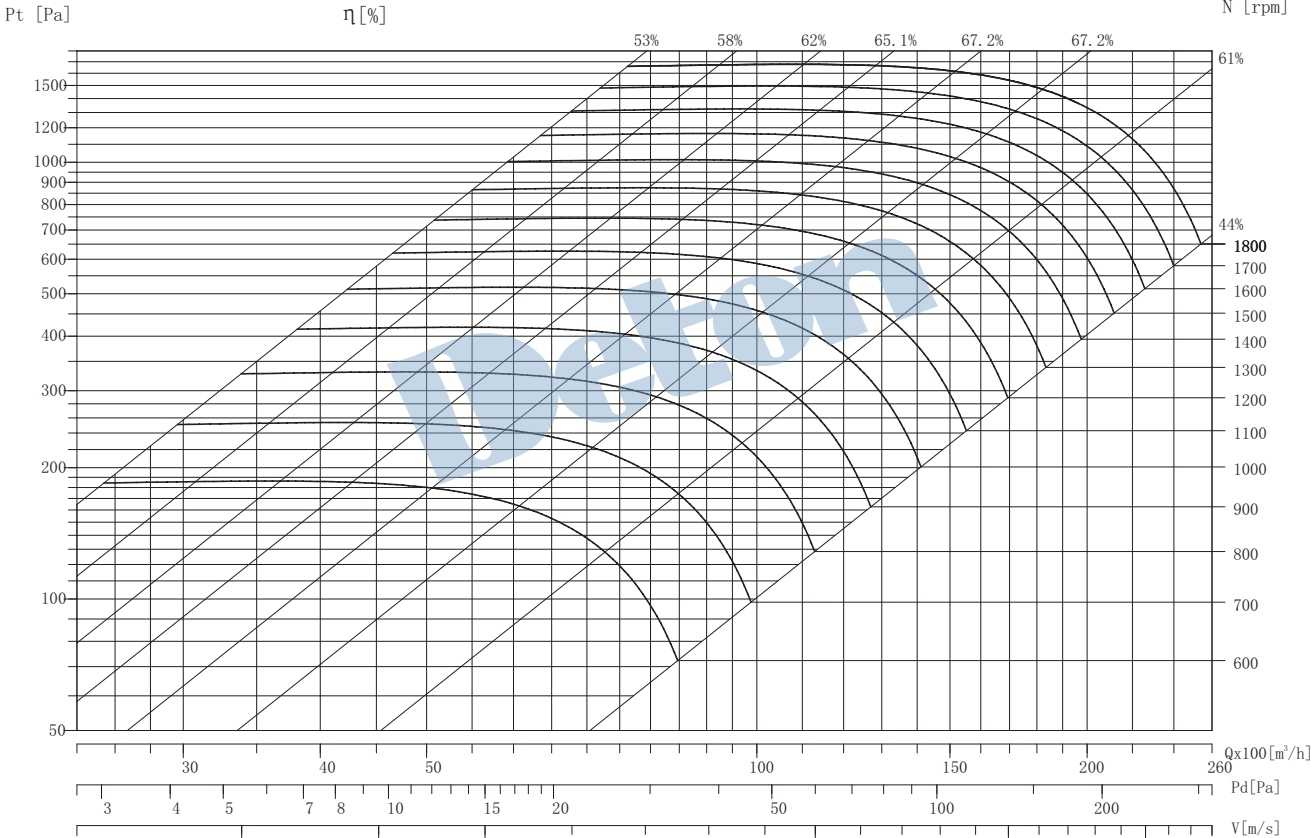
Performance shown is installation type B-free inlet, ducted outlet. Performance ratings do not include the effects of appurtenances in the airstream. Power ratings does not include drive losses.





# PDF630

Air Density: 1.2 kg/m<sup>3</sup>

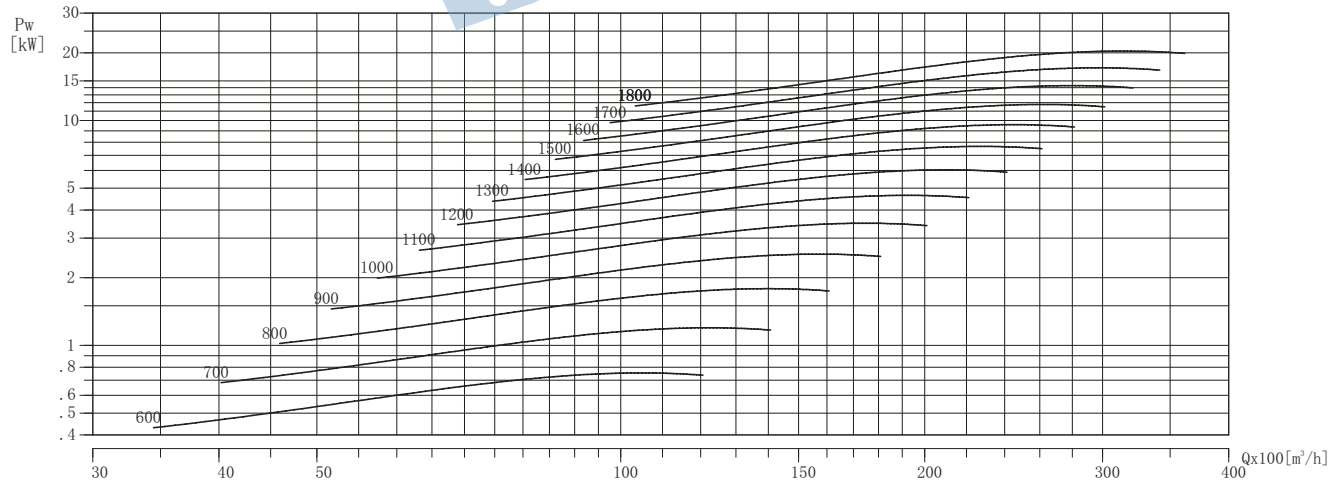
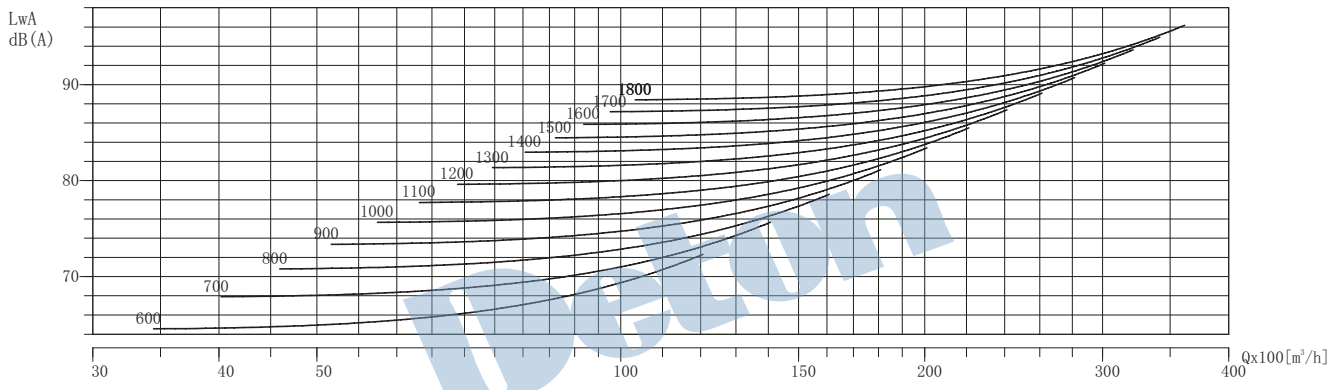
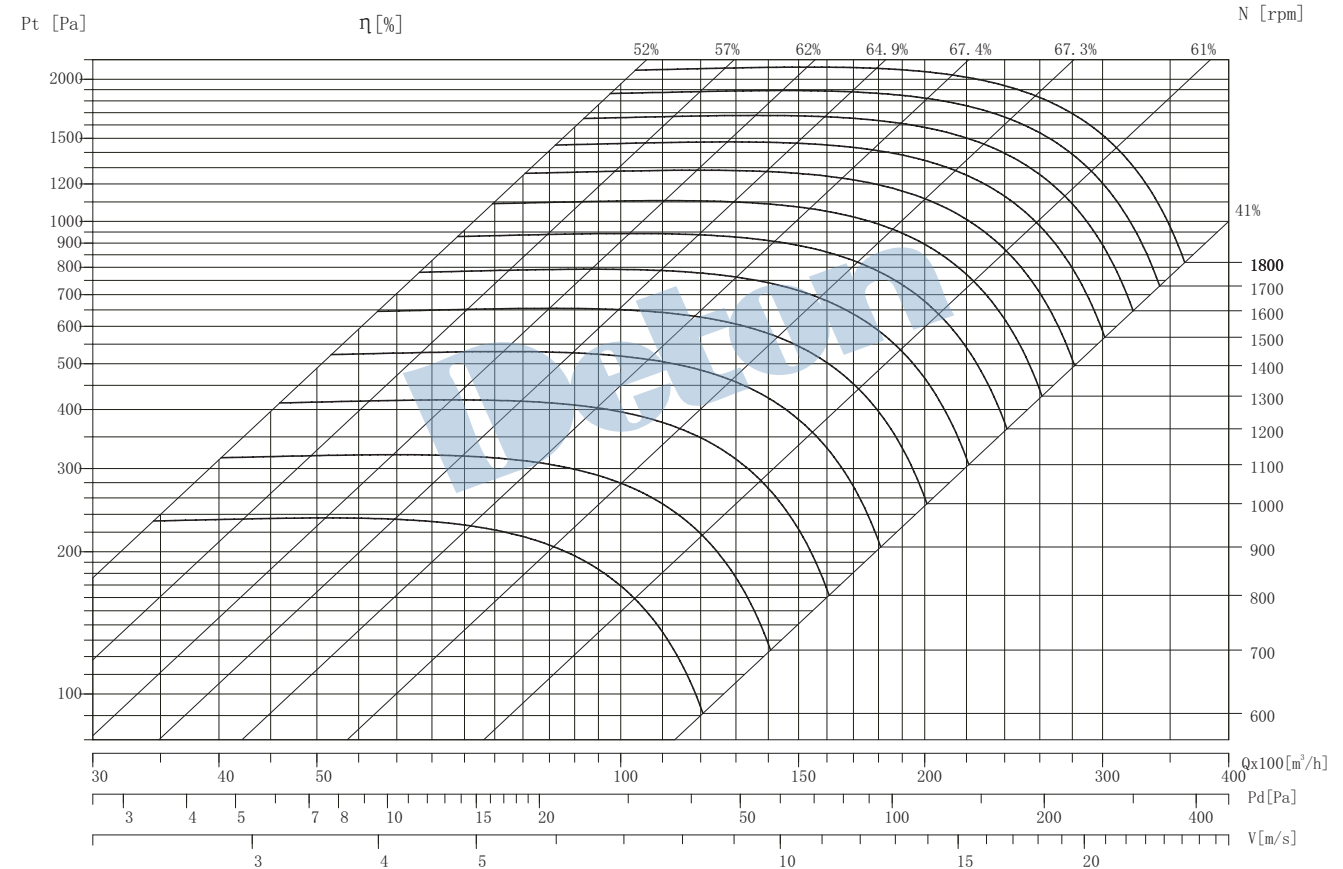


Performance shown is installation type B-free inlet, ducted outlet. Performance ratings do not include the effects of appurtenances in the airstream. Power ratings does not include drive losses.

PDF Plug

# PDF710

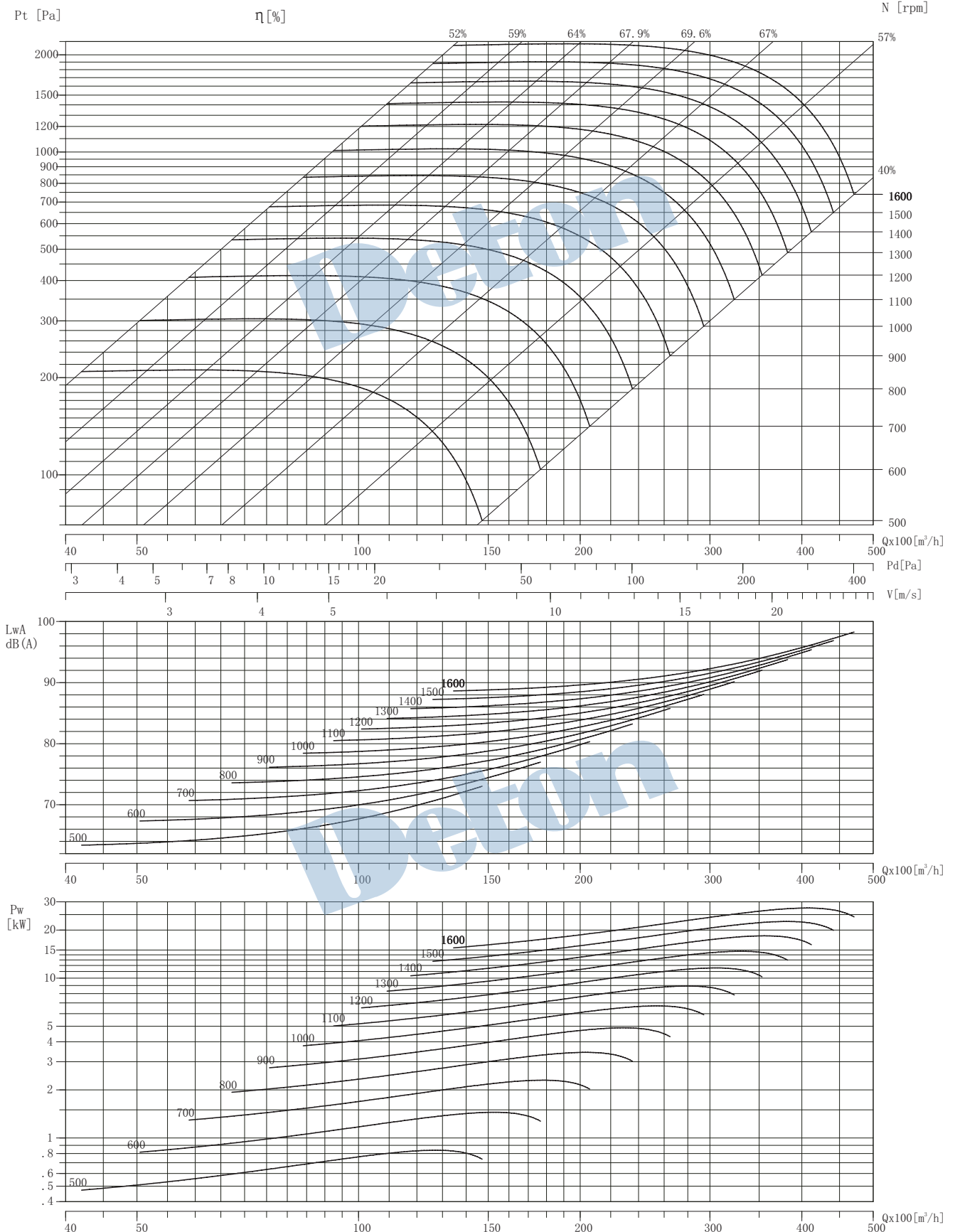
Air Density: 1.2 kg/m<sup>3</sup>



Performance shown is installation type B-free inlet, ducted outlet. Performance ratings do not include the effects of appurtenances in the airstream. Power ratings does not include drive losses.

# PDF800

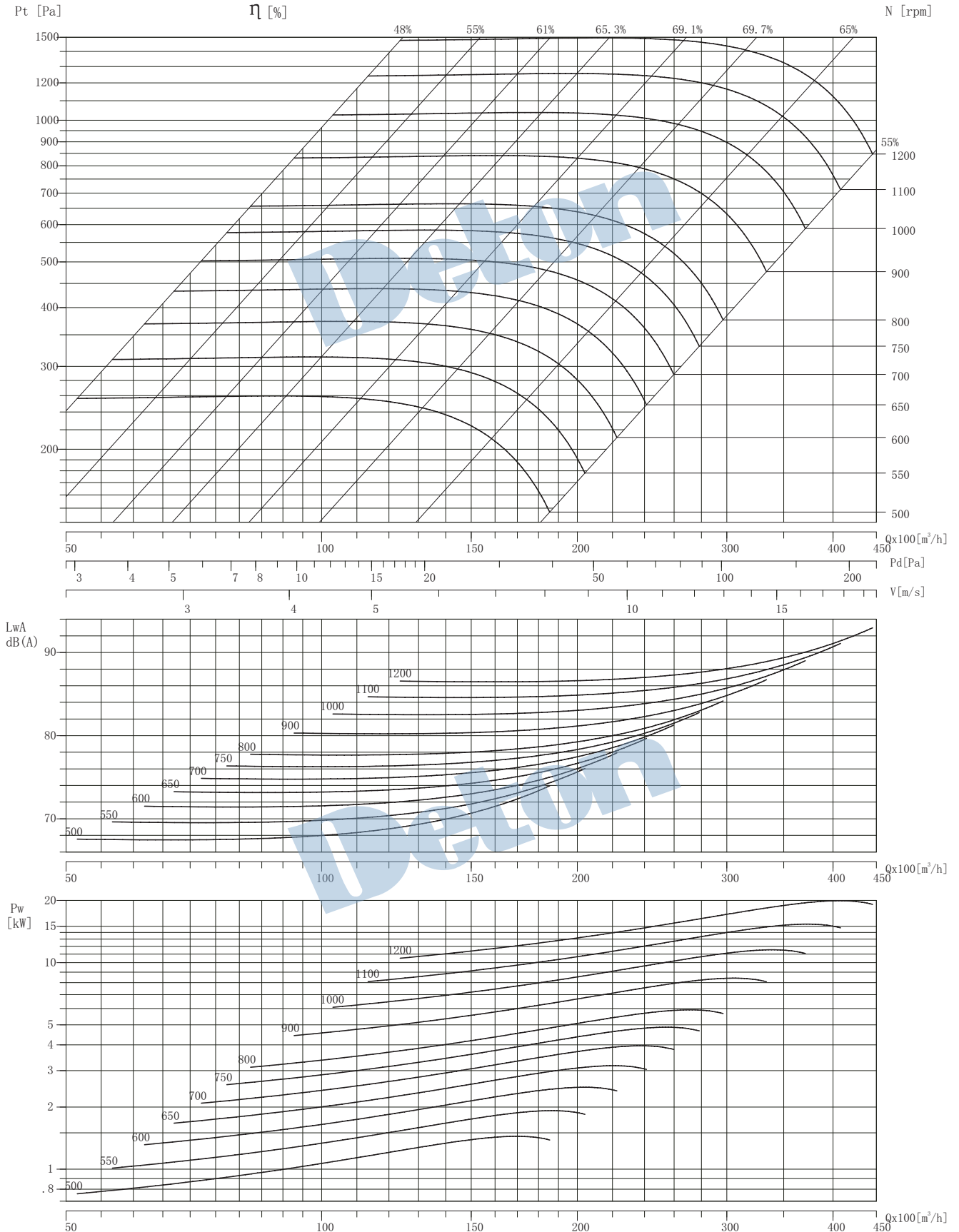
Air Density: 1.2 kg/m<sup>3</sup>



Performance shown is installation type B-free inlet, ducted outlet. Performance ratings do not include the effects of appurtenances in the airstream. Power ratings does not include drive losses.

# PDF900

Air Density: 1.2 kg/m<sup>3</sup>

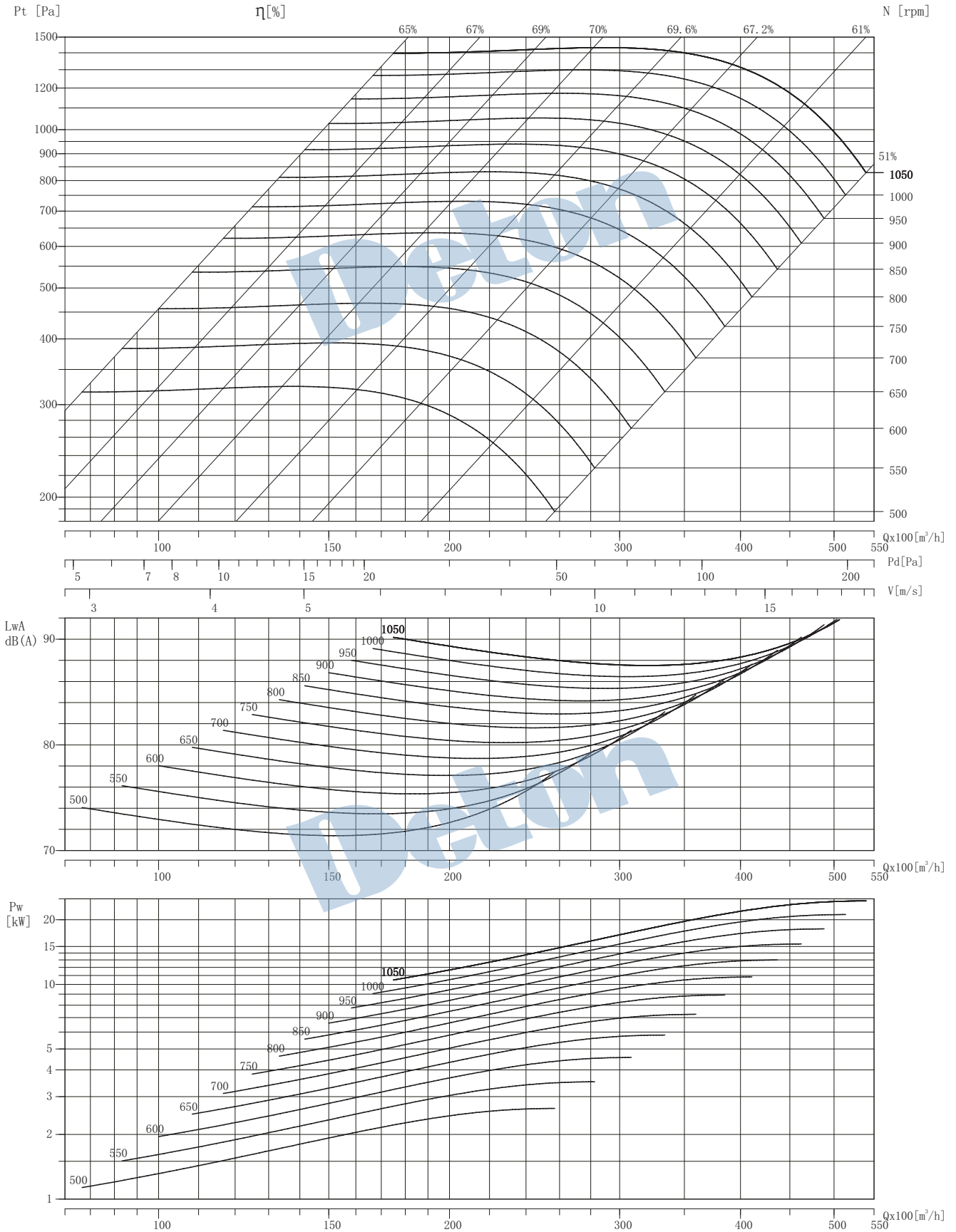


Performance shown is installation type B-free inlet, ducted outlet. Performance ratings do not include the effects of appurtenances in the airstream. Power ratings does not include drive losses.



# PDF1000

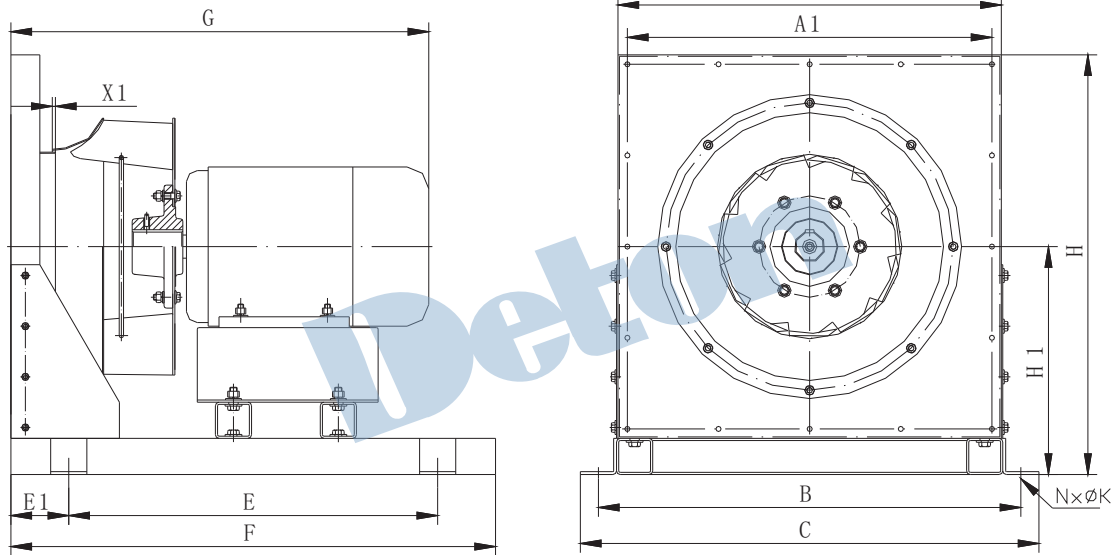
Air Density: 1.2 kg/m<sup>3</sup>



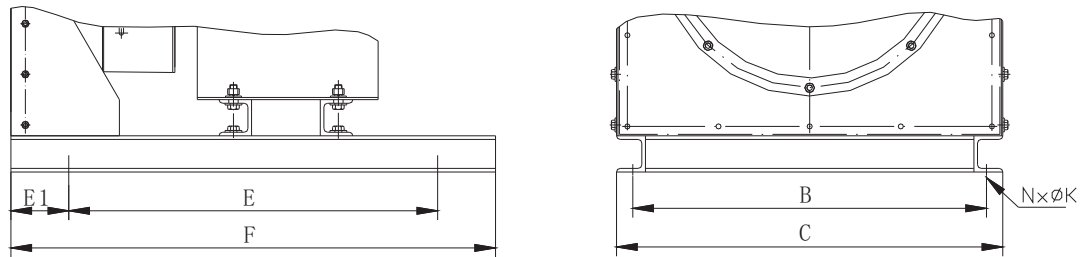
Performance shown is installation type B-free inlet, ducted outlet. Performance ratings do not include the effects of appurtenances in the airstream. Power ratings does not include drive losses.

### PDF dimension

PDF315~500



PDF560~1000



[mm]

型号 Model	A	A1	B	C	E	E1	F	G	H	H1	N × ØK	X1
PDF315	450	424	504	554	410	80	570	437	500	275	4 × Ø11	3.6
PDF355	530	504	584	634	510	80	670	557	58	315	4 × Ø11	4.3
PDF400	530	504	584	634	510	80	670	606	580	315	4 × Ø11	4.8
PDF450	640	614	694	744	630	80	790	690	690	370	4 × Ø11	6.3
PDF500	640	614	694	744	630	80	790	639	690	370	4 × Ø13	5.8
PDF560	800	774	764	804	740	80	900	676	863	463	4 × Ø16	7.3
PDF630	800	774	764	804	740	80	900	745	863	463	4 × Ø16	8.7
PDF710	950	924	910	954	940	80	1100	883	1030	555	4 × Ø18	10.2
PDF800	950	924	910	954	940	80	1100	1019	1030	555	4 × Ø18	10.5
PDF900	1150	1124	1106	1154	1190	80	1350	1010	1250	675	4 × Ø20	11.5
PDF1000	1150	1124	1106	1154	1190	80	1350	1055	1250	675	4 × Ø20	13.5

说明：所有尺寸允许偏差±4mm

Note: Overall dimension tolerance allow ±4mm .