



Deton

TDF-SWC单进风空调风机

后倾叶轮、单进风
带式传动

TDF-SWC Series
SWSI, Backward Blades
Belt Driven
CENTRIFUGAL FAN

Deton

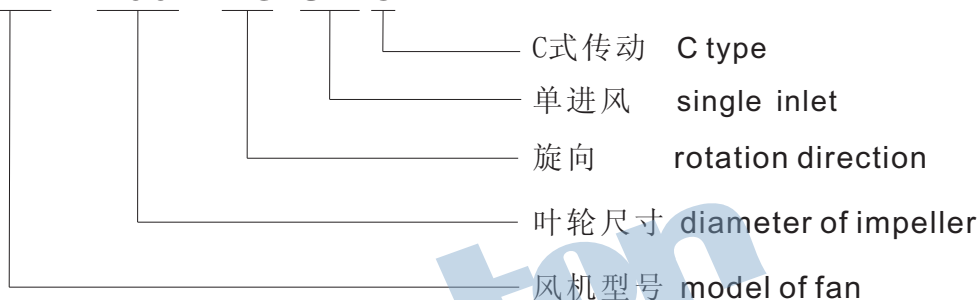


广东肇庆德通有限公司
GuangDong zhaqing DETON Co., Ltd.

JUNE 2013

产品命名方式 Designation of Products

TDF - 400 - LG-SWC



运转极限 Operational limits

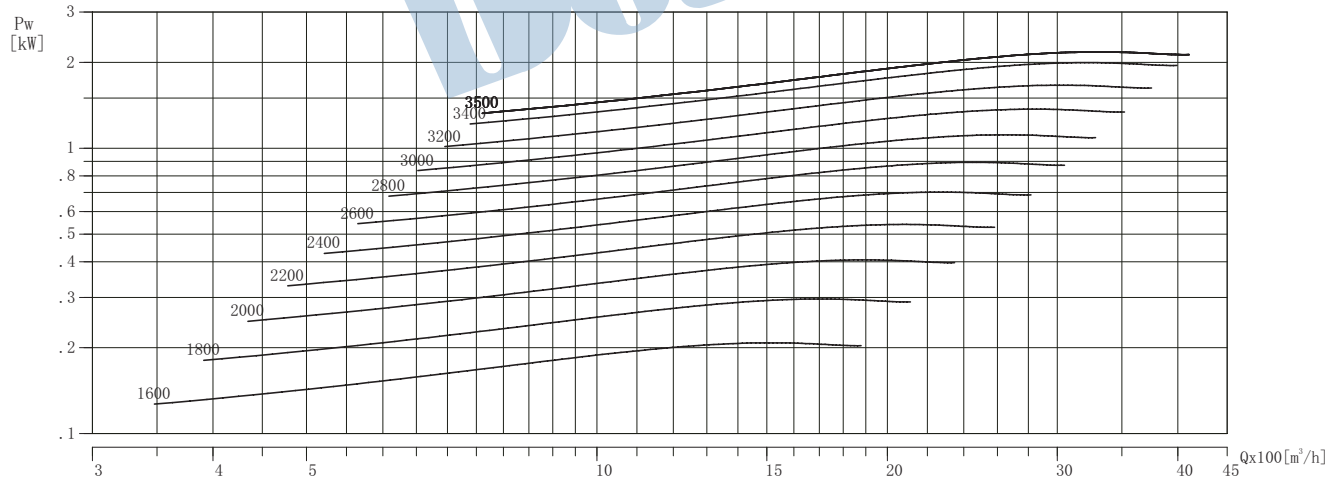
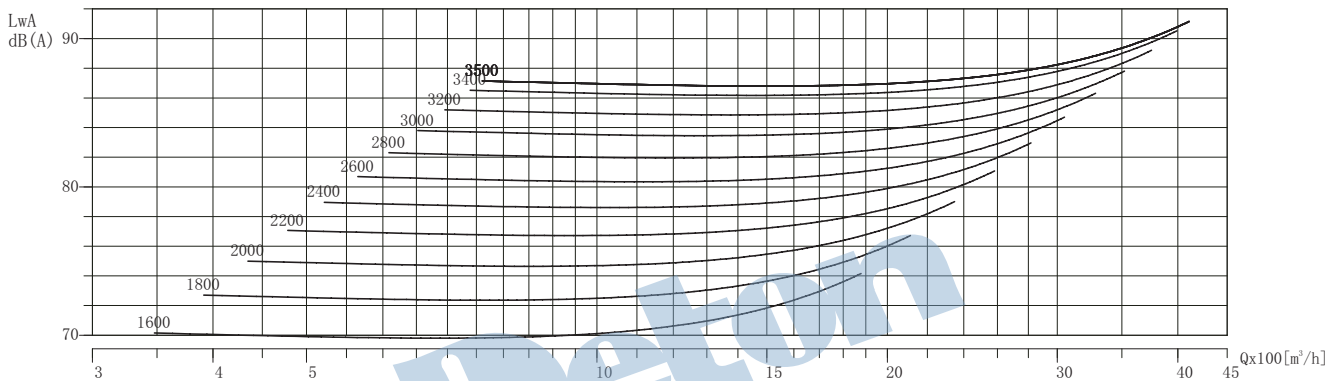
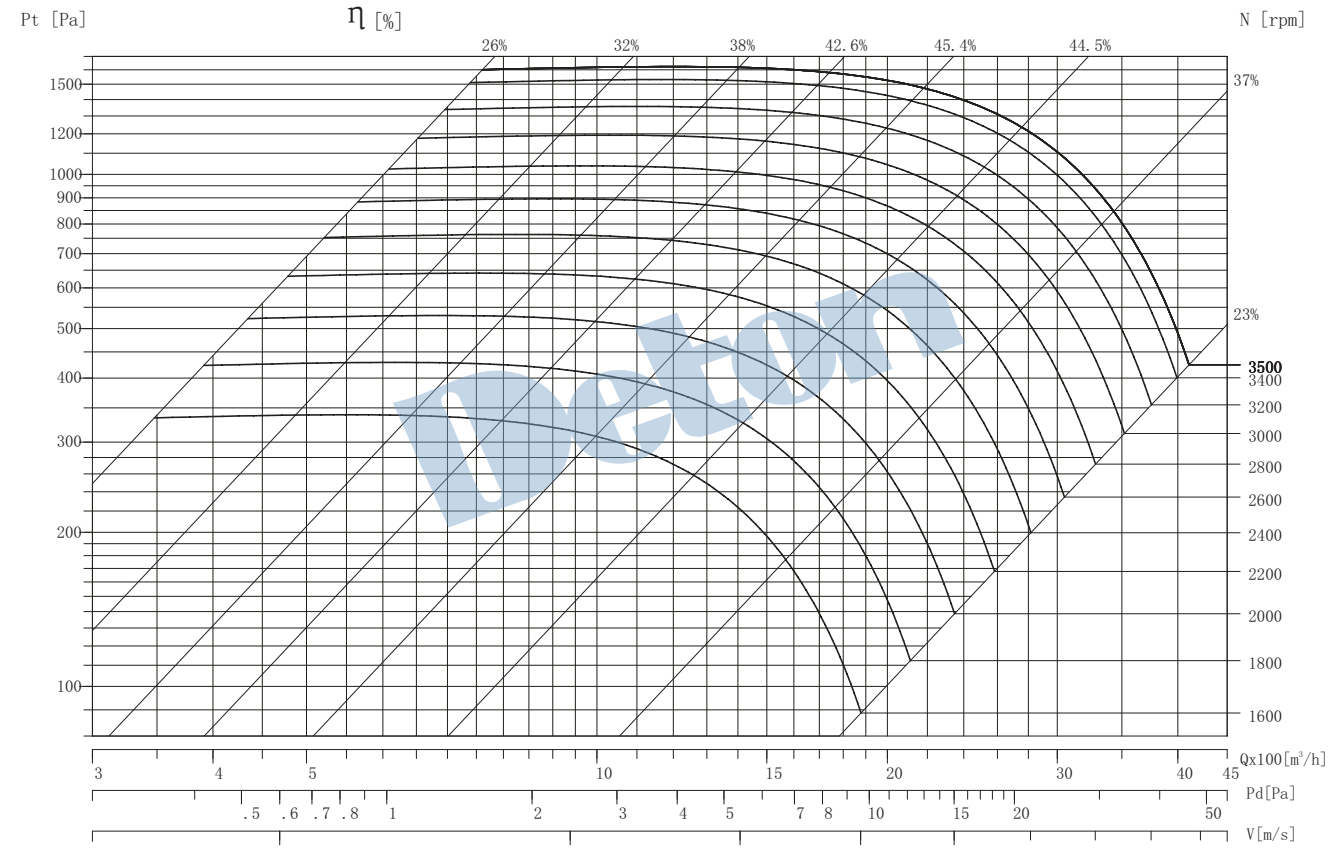
		280	315	355	400	450	500	560	630	710	800	900	1000
最大输入功率 Max.Power	kW	2.5	4	5.5	7.5	11	15	18.5	22	25	25	27	30
最大转速 Max.Speed	rpm	3500	3300	3200	3100	2900	2600	2200	1900	1800	1300	1100	1000
介质温度/最低-20℃ Temp. range/min.-20℃	Max.℃	80	80	80	80	80	80	80	80	80	80	80	80

结构形式 Type of structure



TDF280-SWC

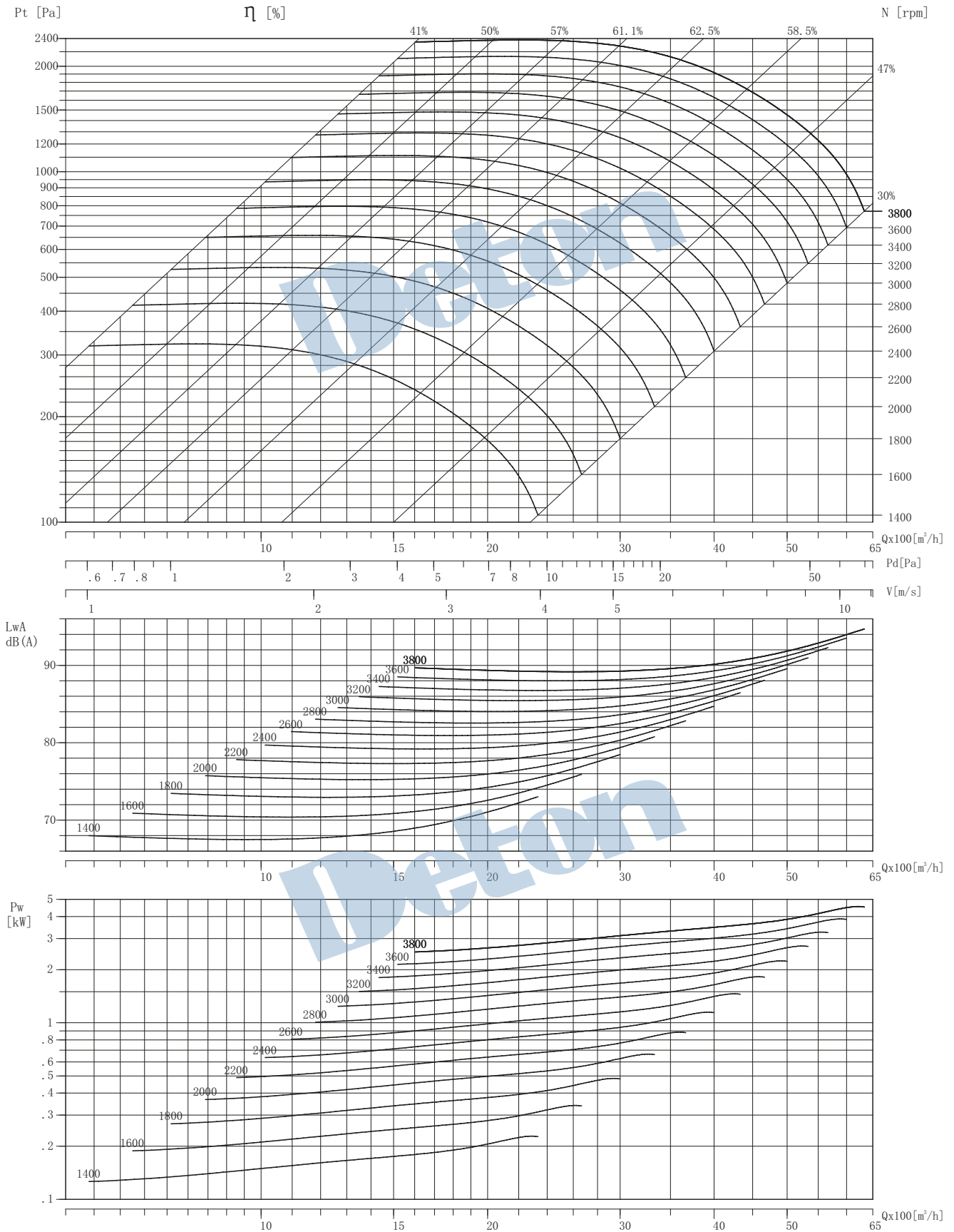
Air Density: 1.2 kg/m³



Performance shown is installation type B-free inlet, ducted outlet. Performance ratings do not include the effects of appurtenances in the airstream. Power ratings does not include drive losses.

TDF315-SWC

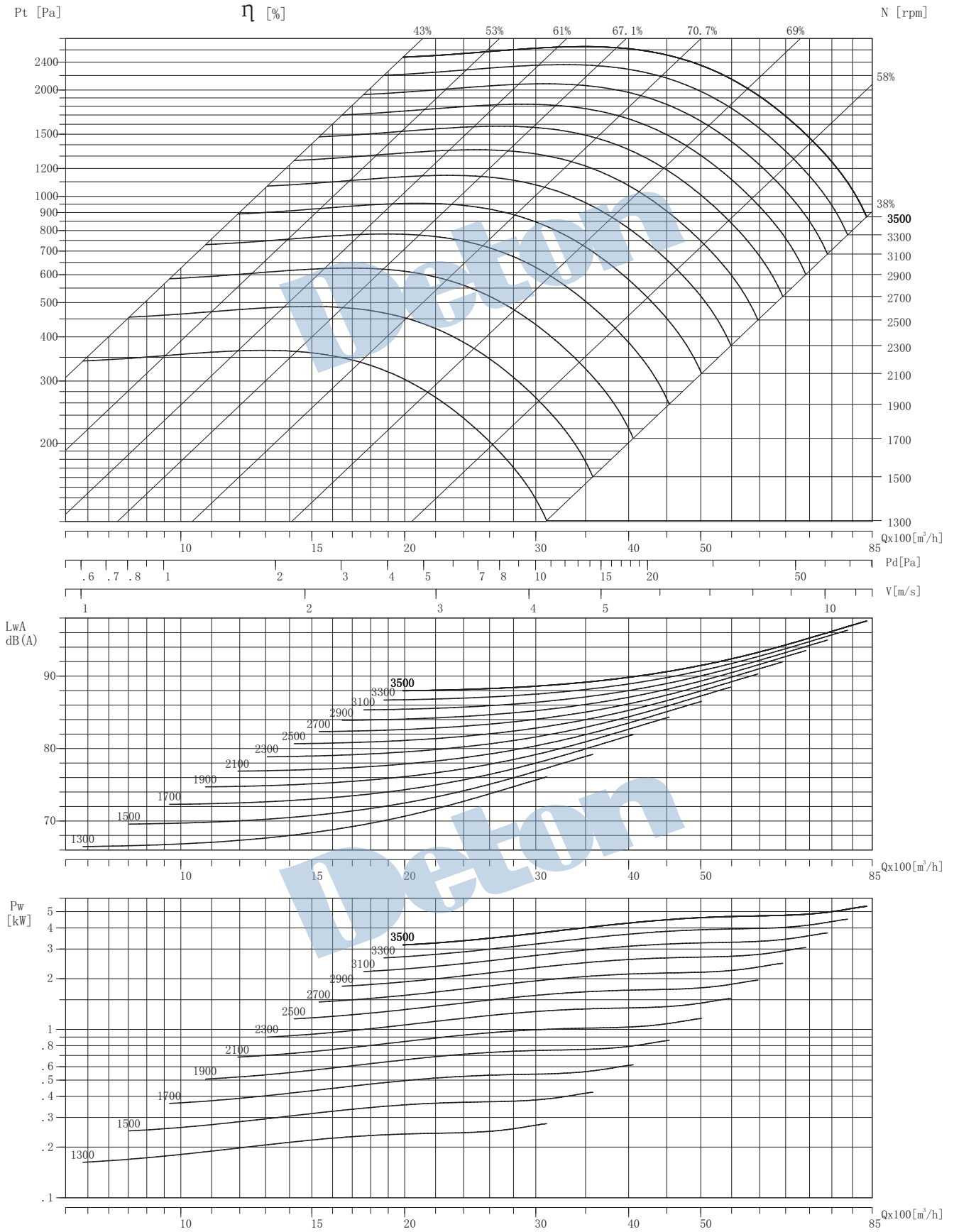
Air Density: 1.2 kg/m³



Performance shown is installation type B-free inlet, ducted outlet. Performance ratings do not include the effects of appurtenances in the airstream. Power ratings does not include drive losses.

TDF355-SWC

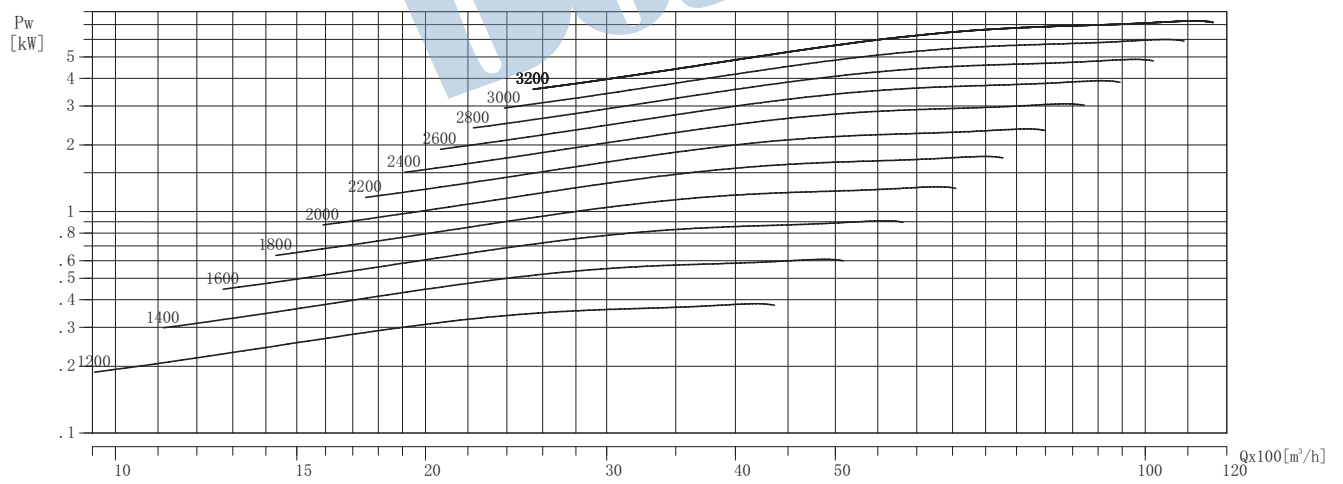
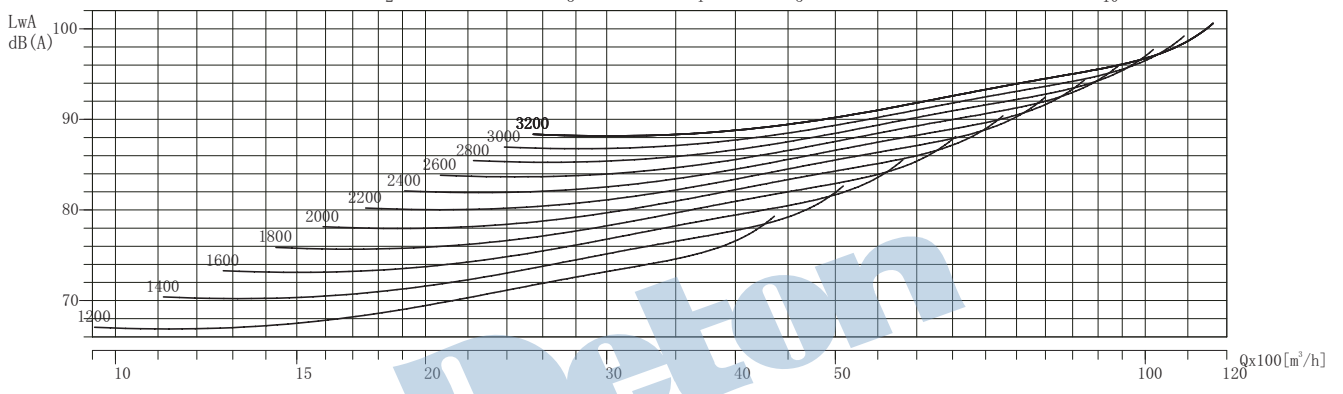
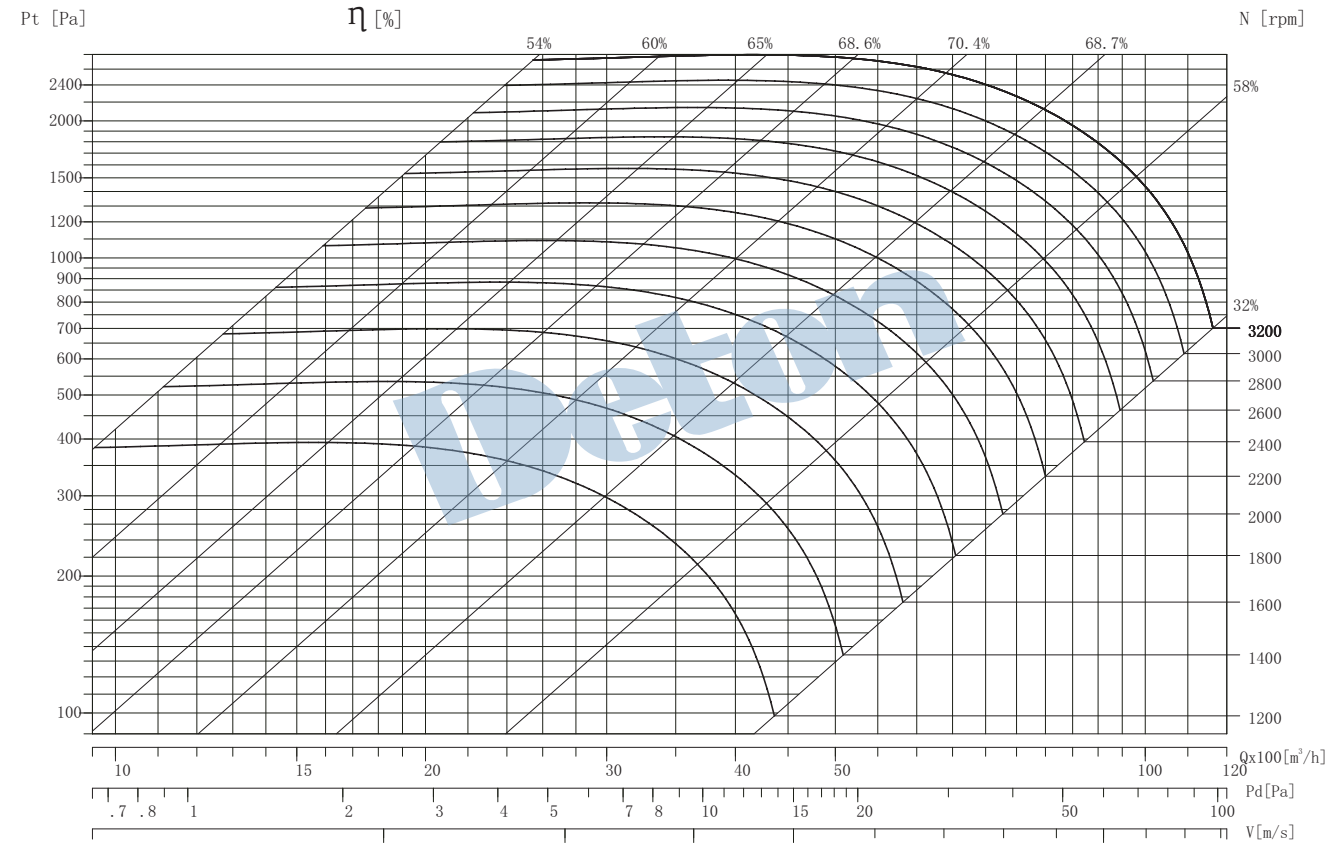
Air Density: 1.2 kg/m³



Performance shown is installation type B-free inlet, ducted outlet. Performance ratings do not include the effects of appurtenances in the airstream. Power ratings does not include drive losses.

TDF400-SWC

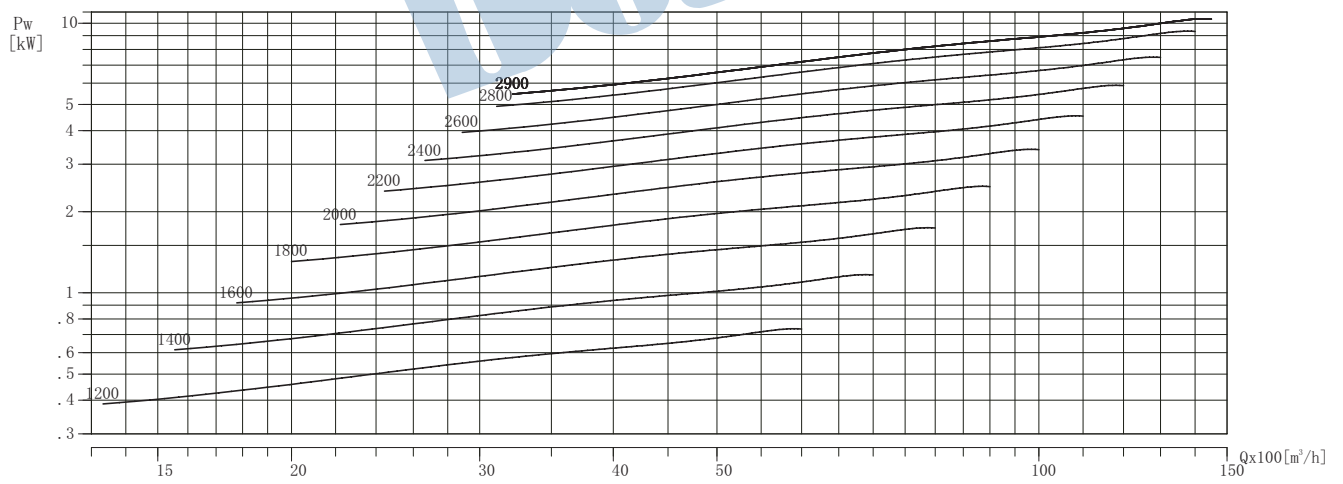
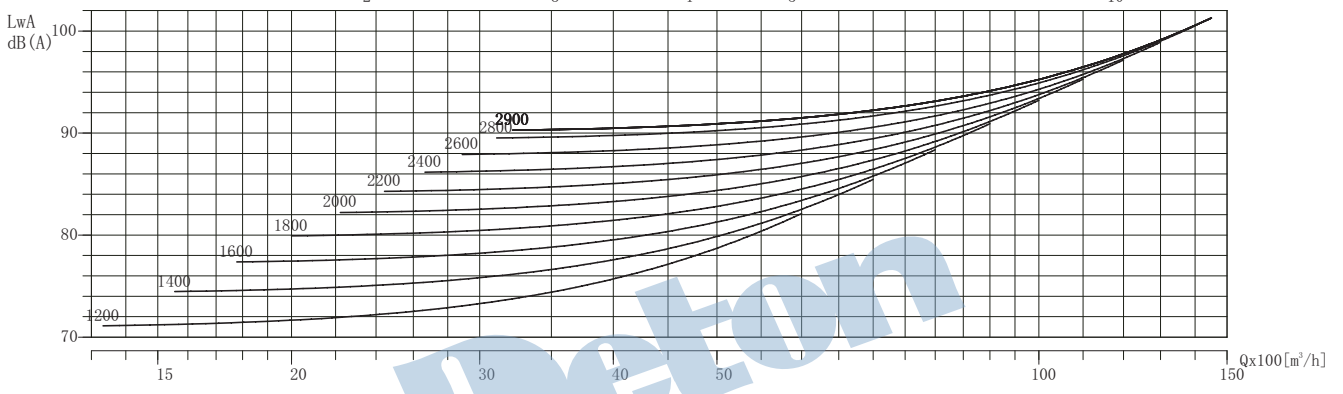
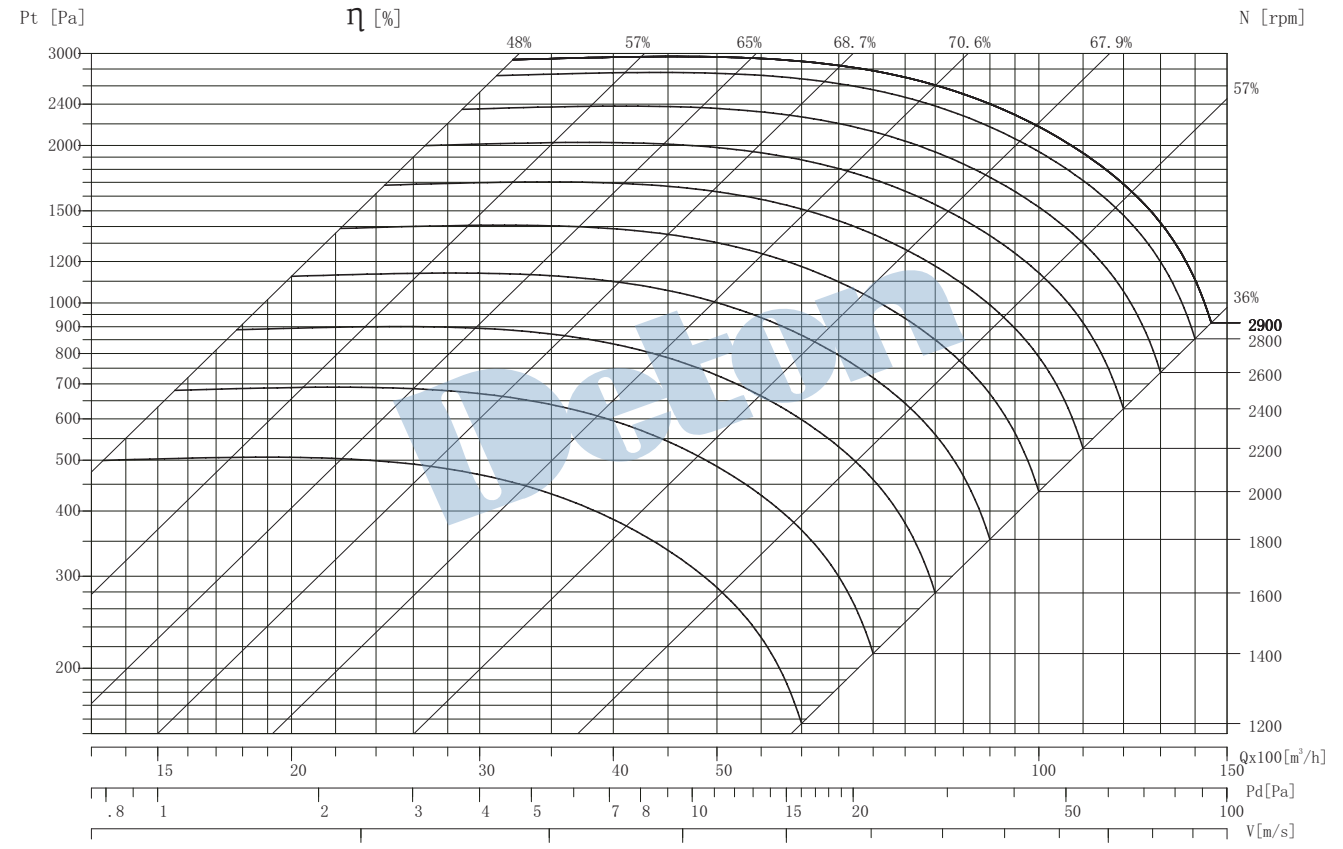
Air Density: 1.2 kg/m³



Performance shown is installation type B-free inlet, ducted outlet. Performance ratings do not include the effects of appurtenances in the airstream. Power ratings does not include drive losses.

TDF450-SWC

Air Density: 1.2 kg/m³

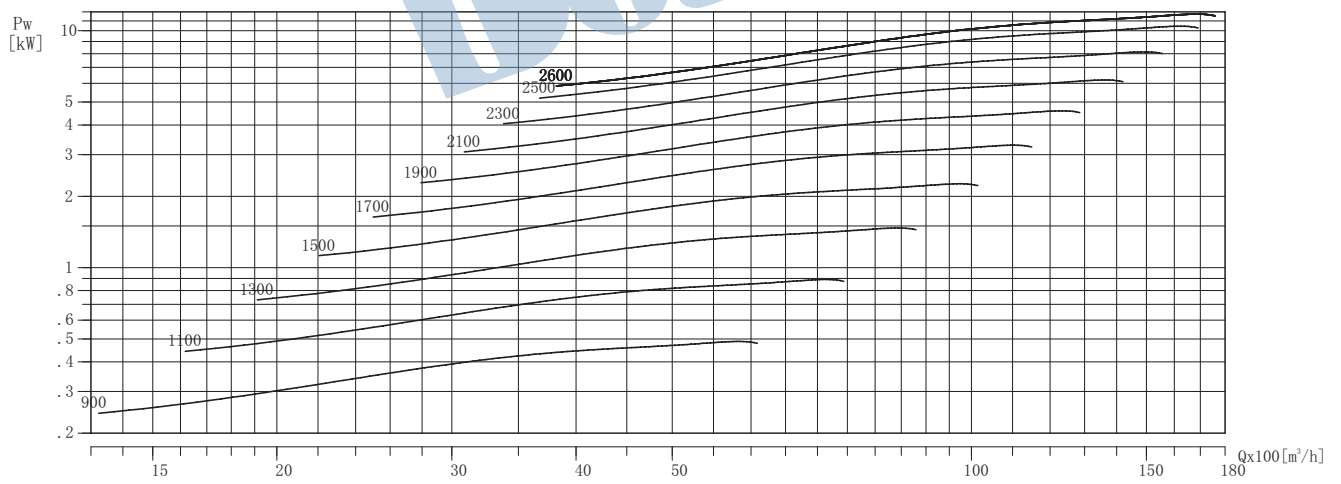
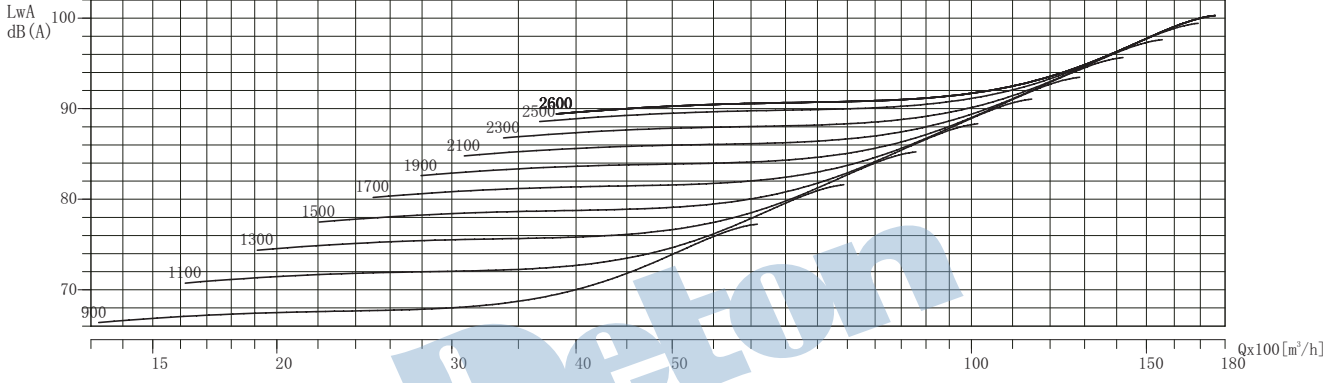
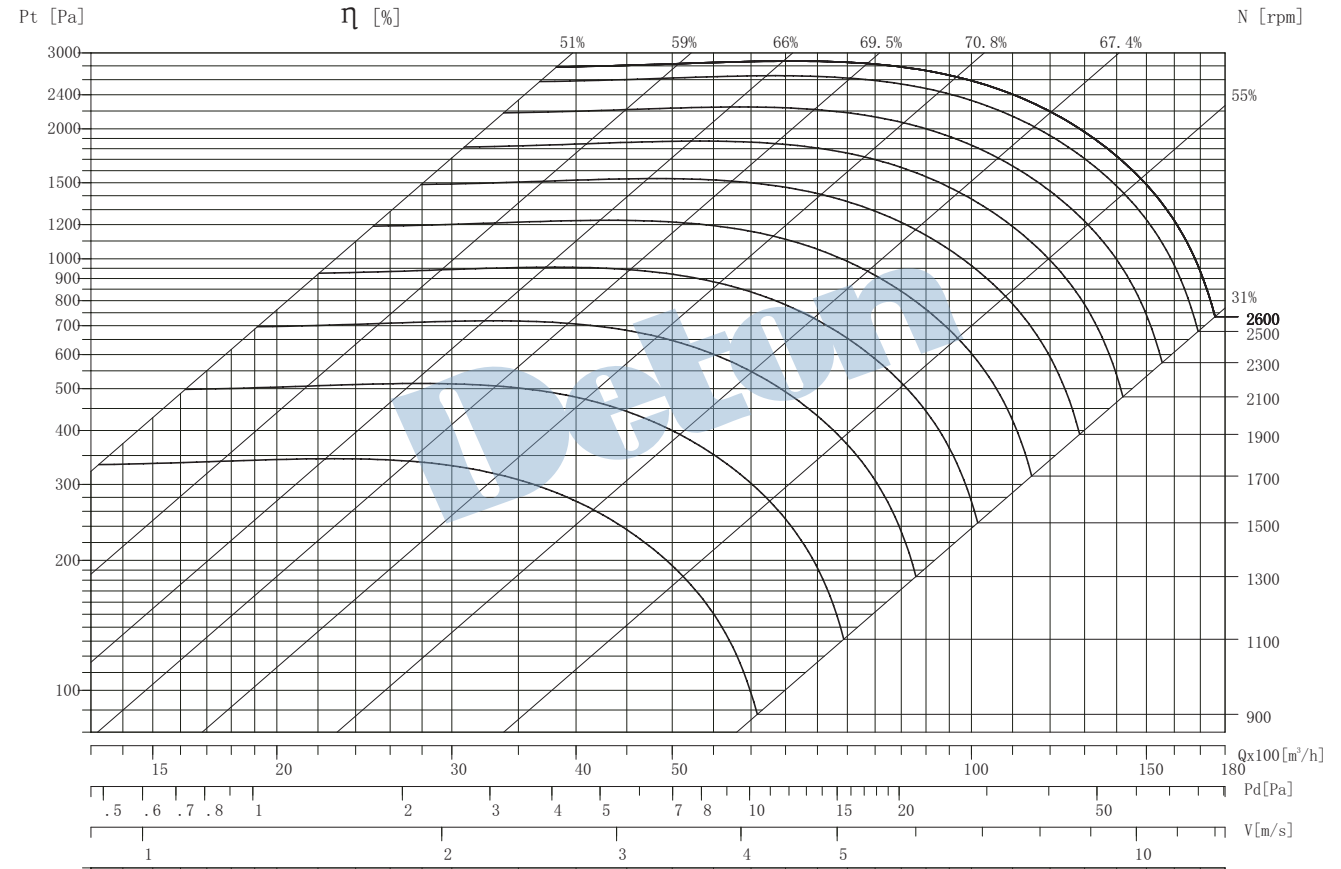


Performance shown is installation type B-free inlet, ducted outlet. Performance ratings do not include the effects of appurtenances in the airstream. Power ratings does not include drive losses.



TDF500-SWC

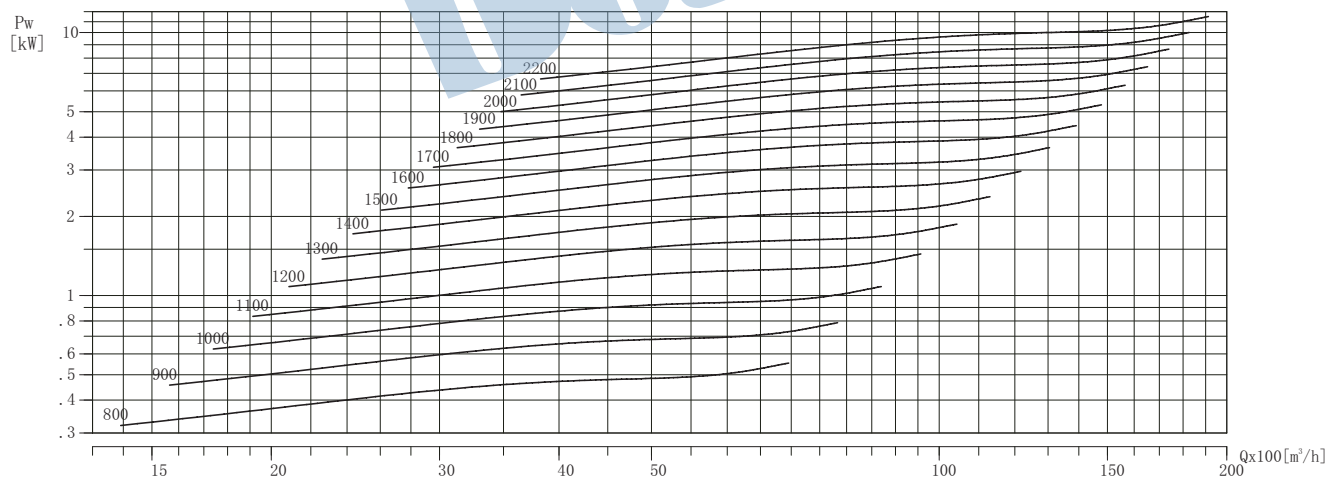
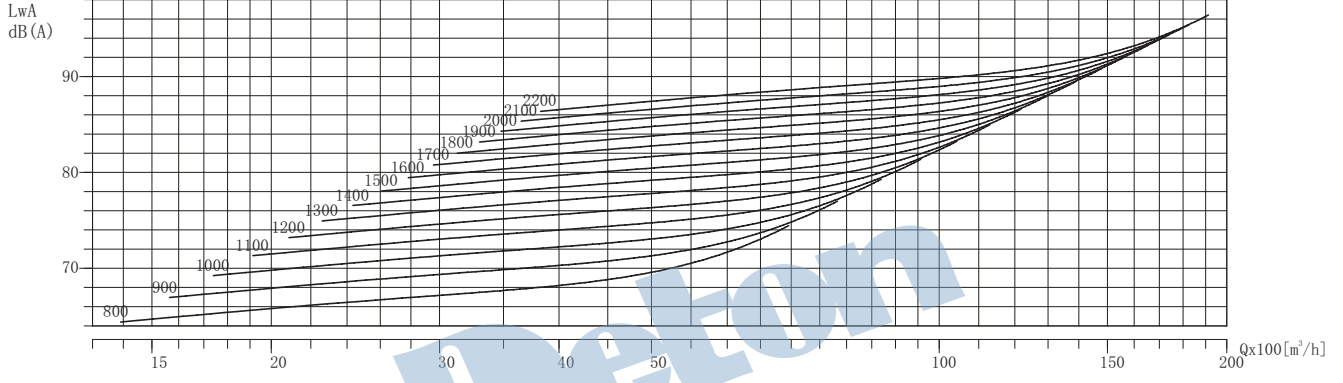
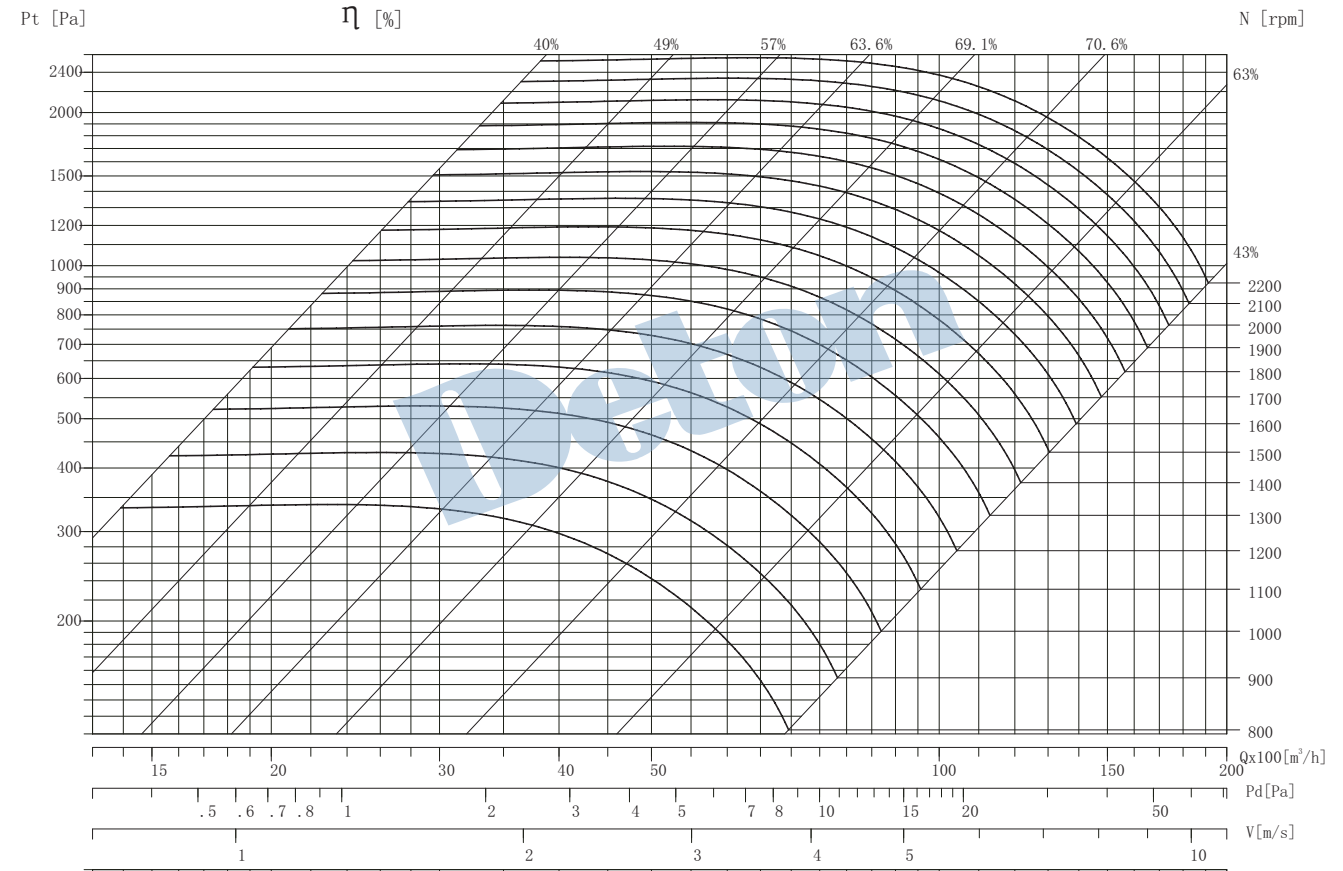
Air Density: 1.2 kg/m³



Performance shown is installation type B-free inlet, ducted outlet. Performance ratings do not include the effects of appurtenances in the airstream. Power ratings does not include drive losses.

TDF560-SWC

Air Density: 1.2 kg/m³

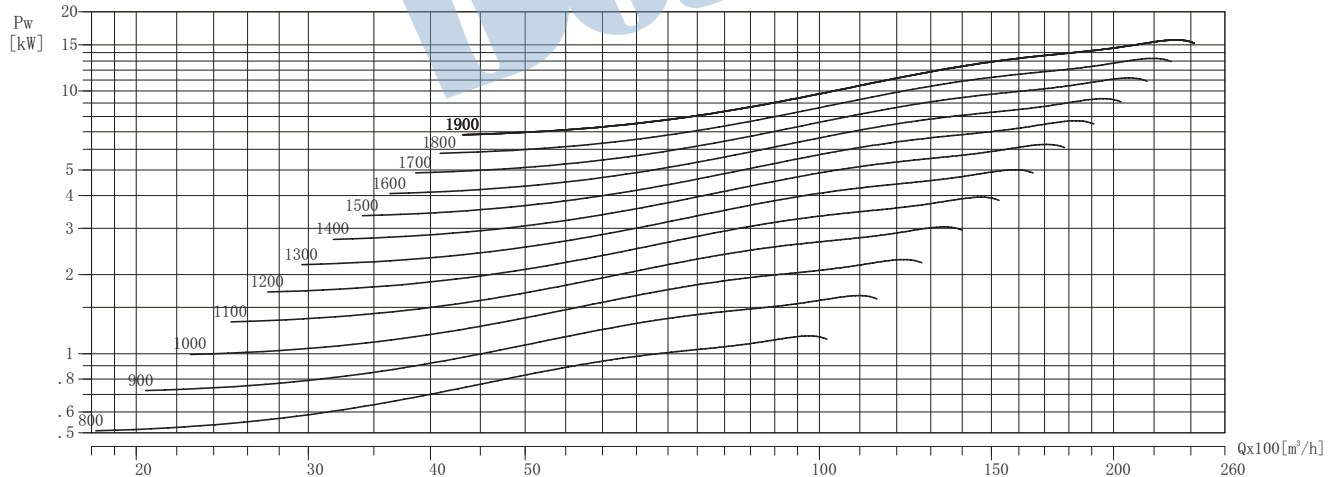
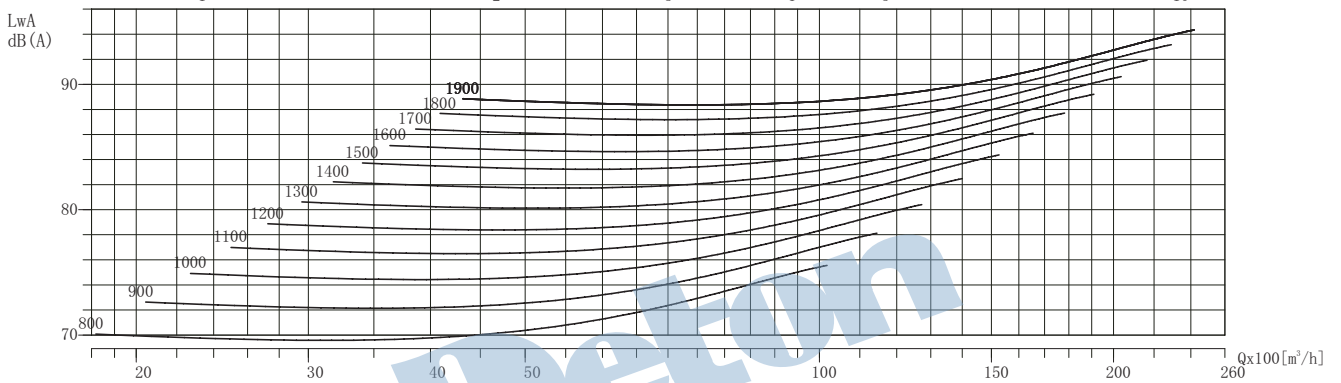
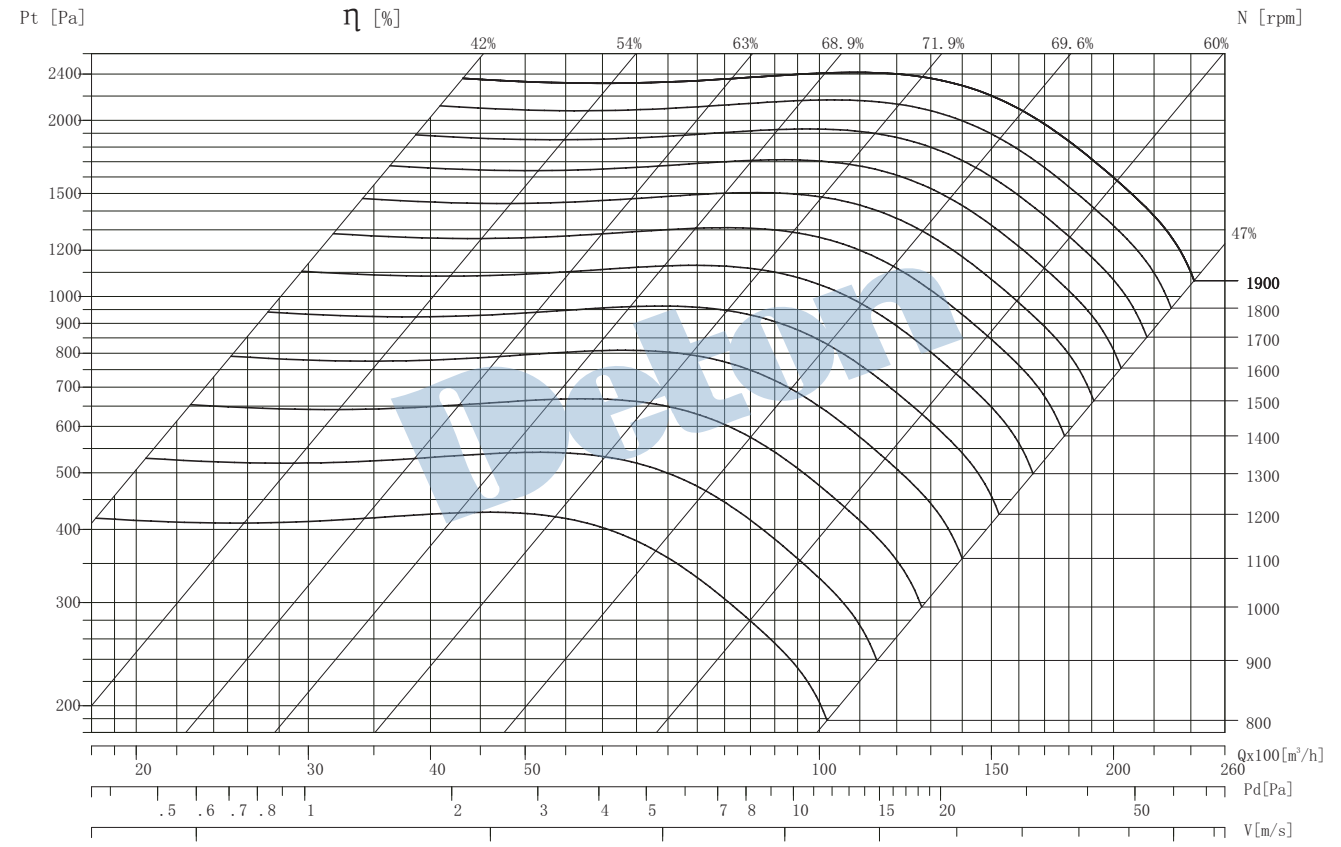


Performance shown is installation type B-free inlet, ducted outlet. Performance ratings do not include the effects of appurtenances in the airstream. Power ratings does not include drive losses.



TDF630-SWC

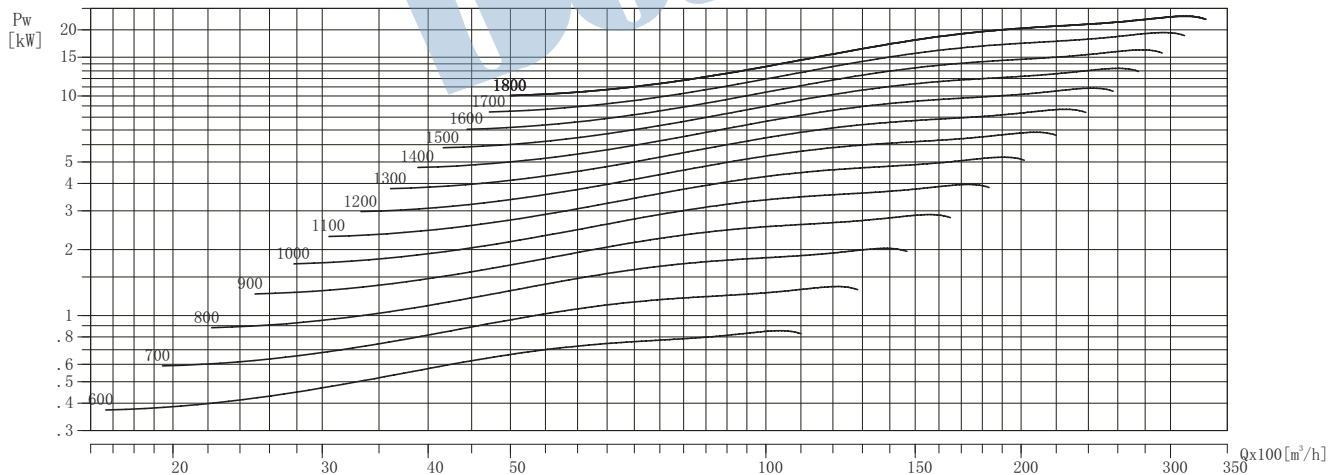
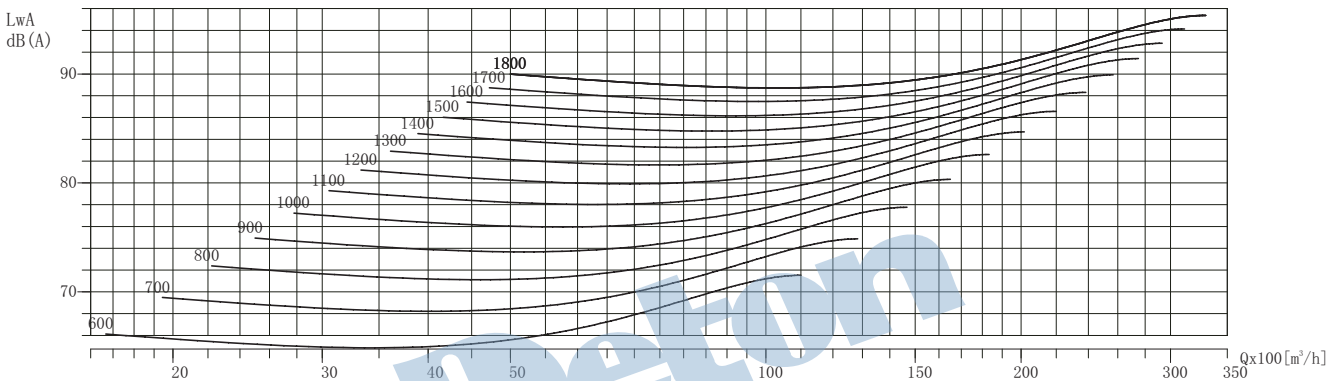
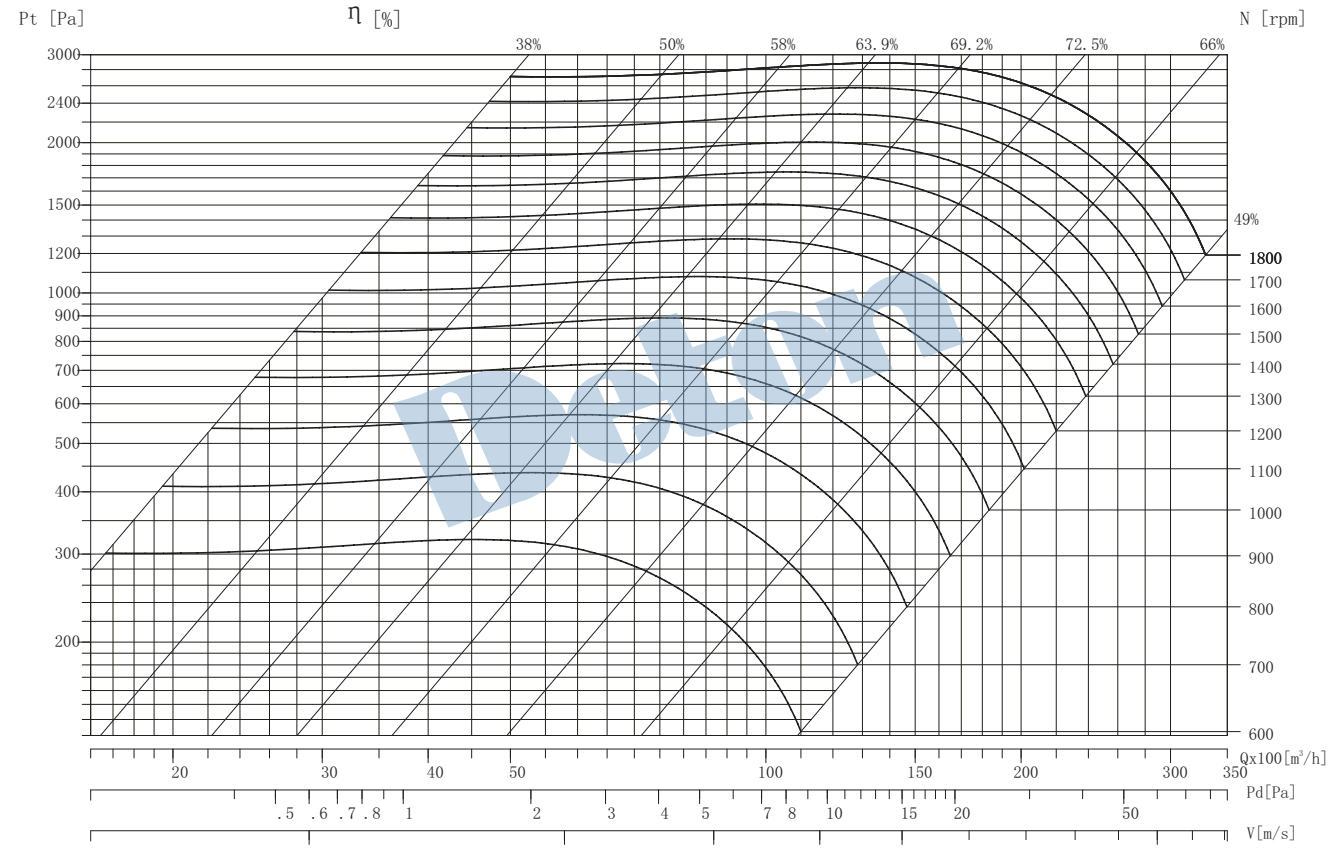
Air Density: 1.2 kg/m³



Performance shown is installation type B-free inlet, ducted outlet. Performance ratings do not include the effects of appurtenances in the airstream. Power ratings does not include drive losses.

TDF710-SWC

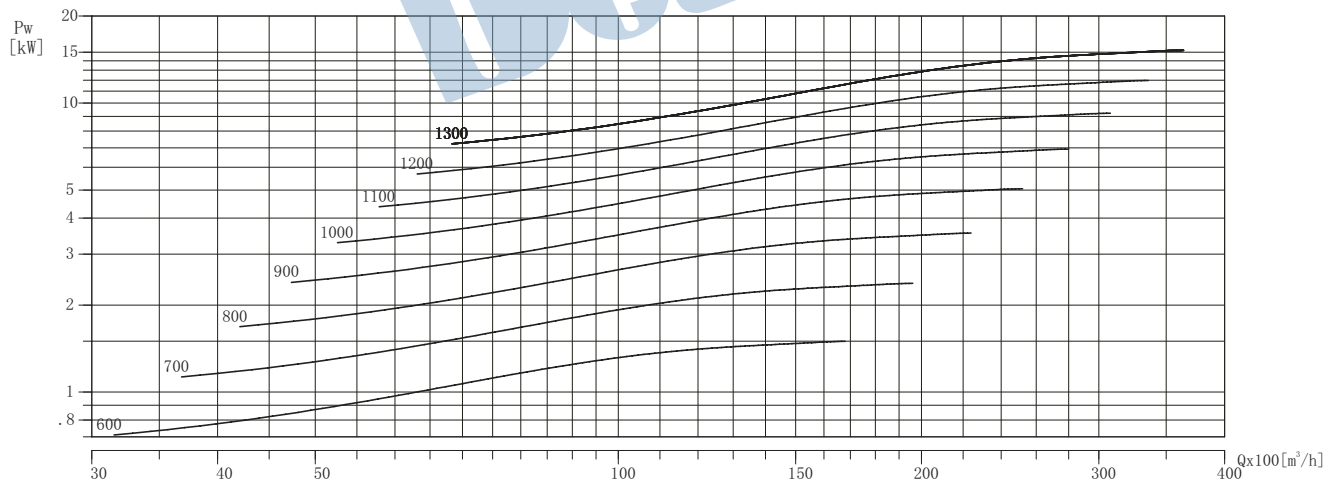
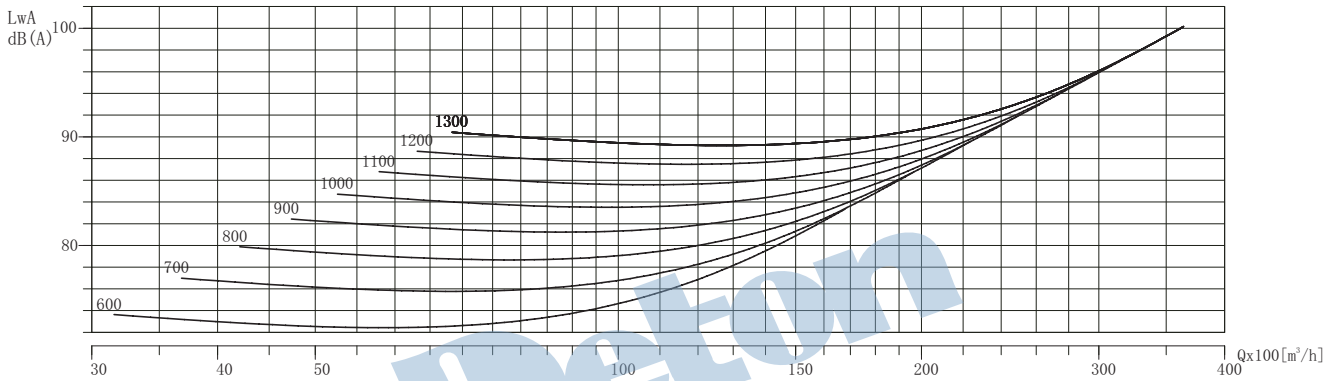
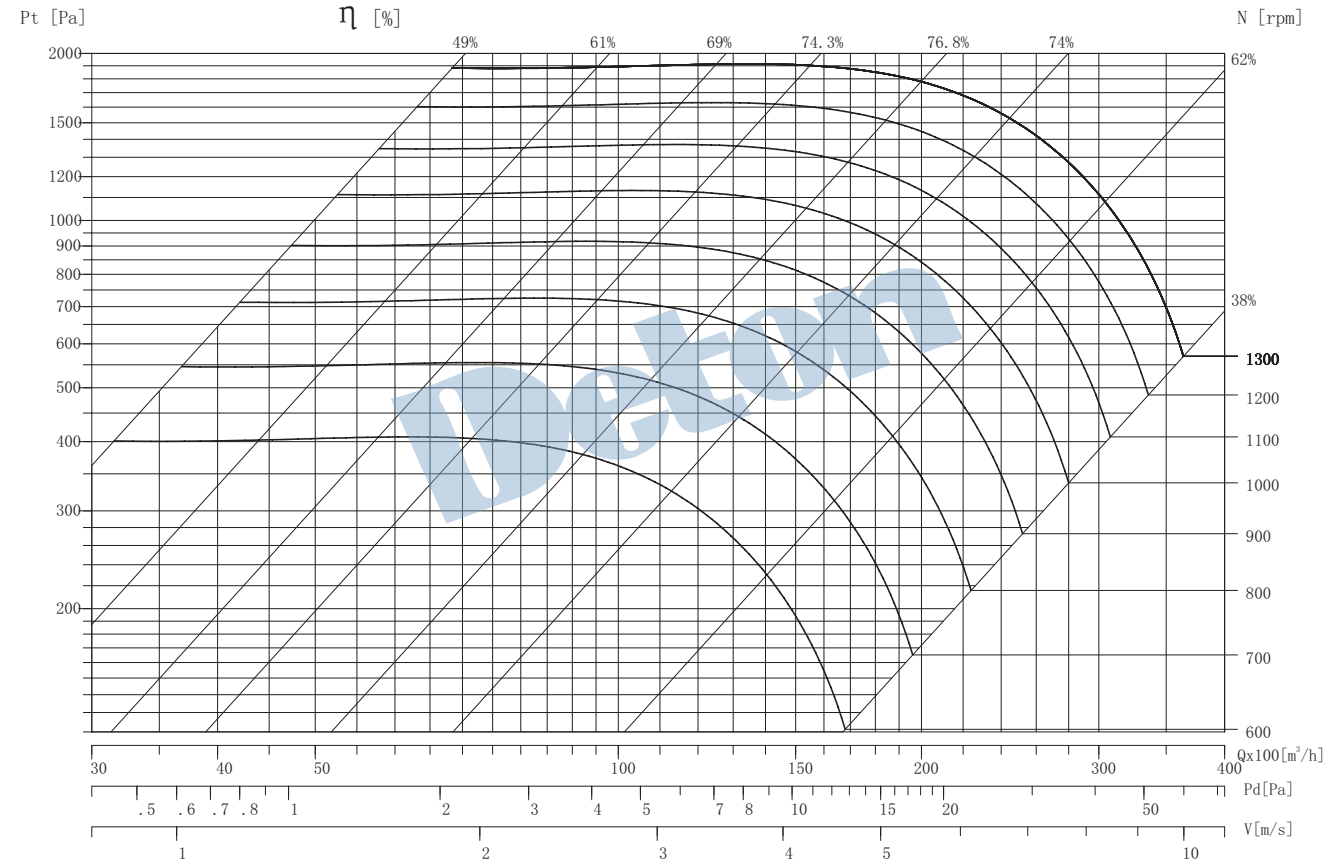
Air Density: 1.2 kg/m³



Performance shown is installation type B-free inlet, ducted outlet. Performance ratings do not include the effects of appurtenances in the airstream. Power ratings does not include drive losses.

TDF800-SWC

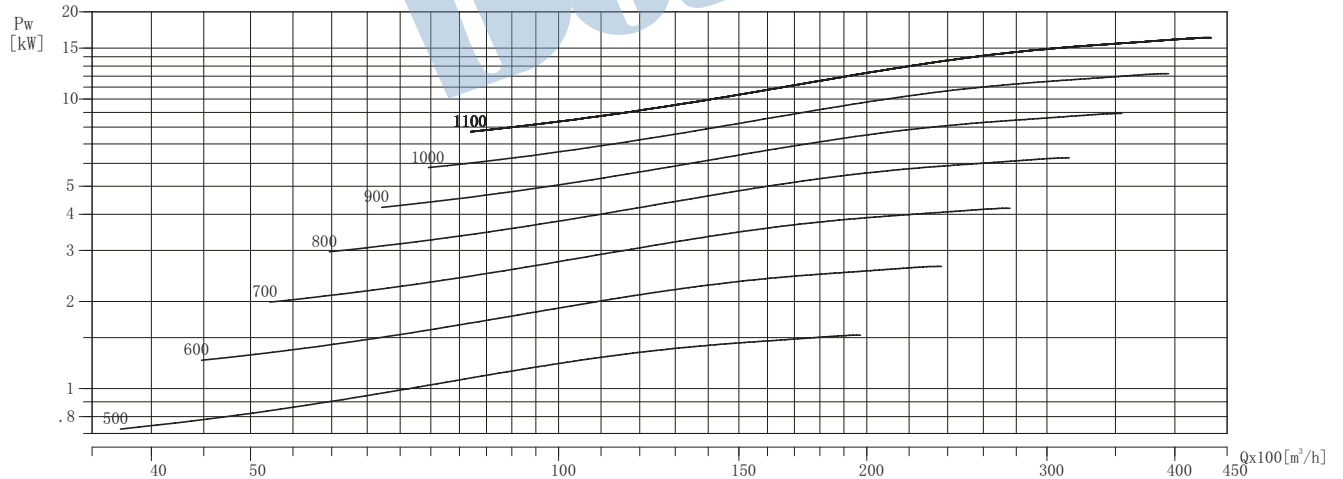
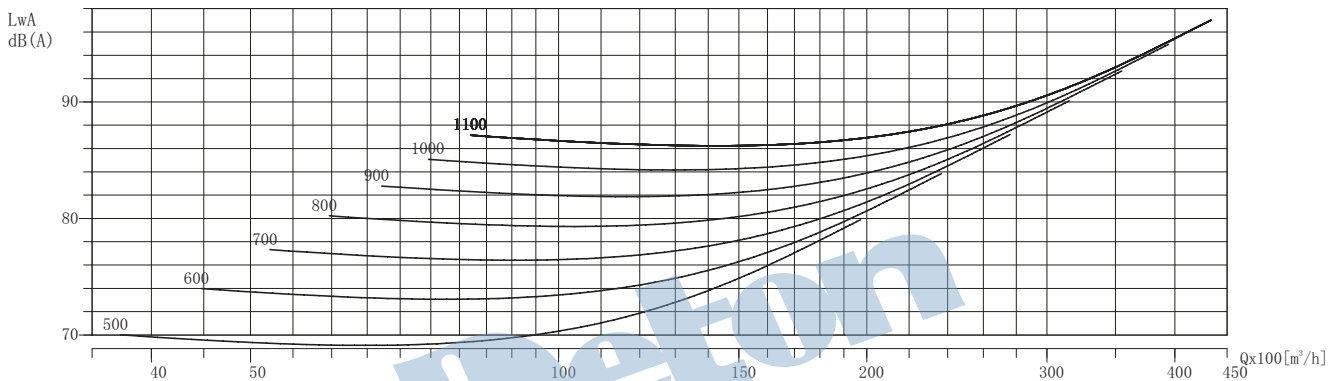
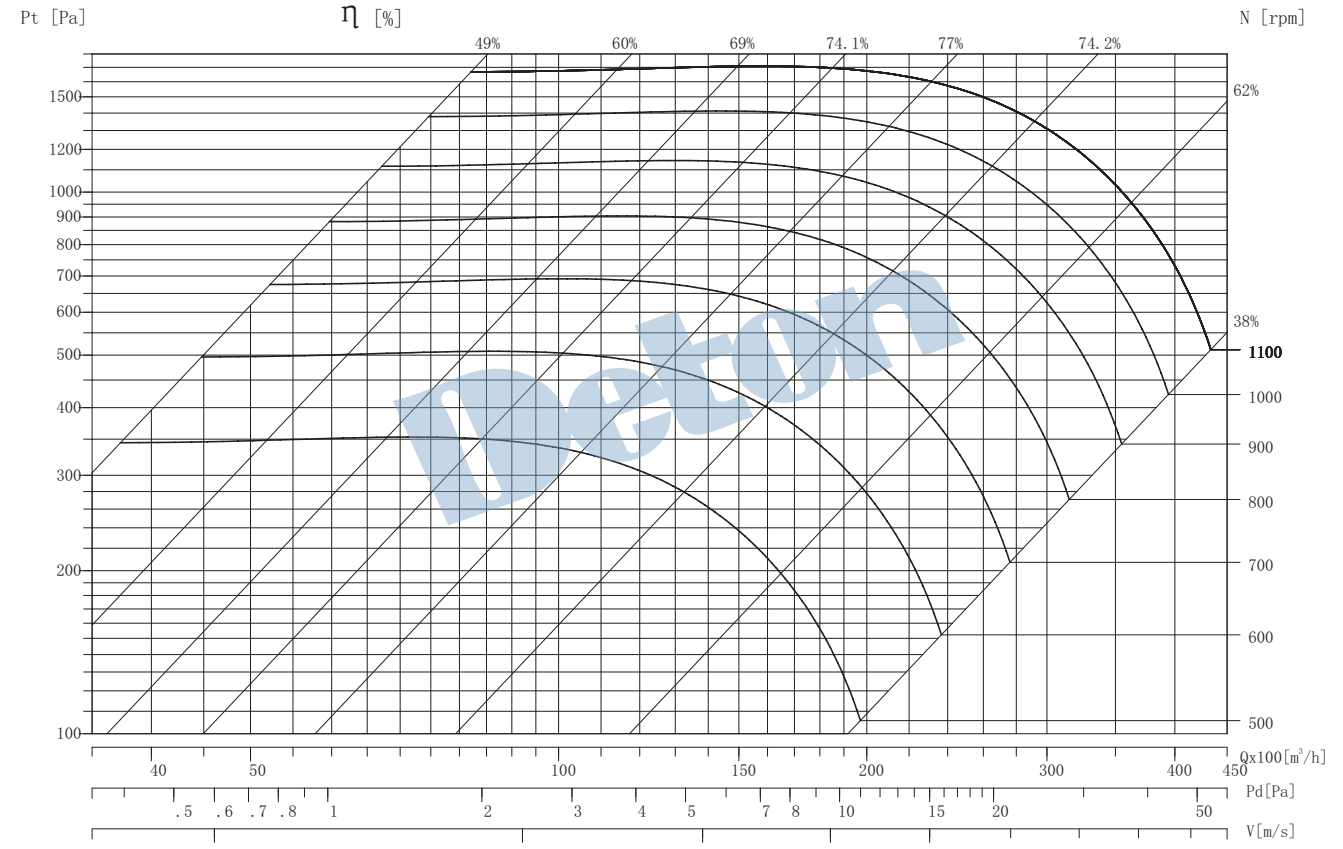
Air Density: 1.2 kg/m³



Performance shown is installation type B-free inlet, ducted outlet. Performance ratings do not include the effects of appurtenances in the airstream. Power ratings does not include drive losses.

TDF900-SWC

Air Density: 1.2 kg/m³

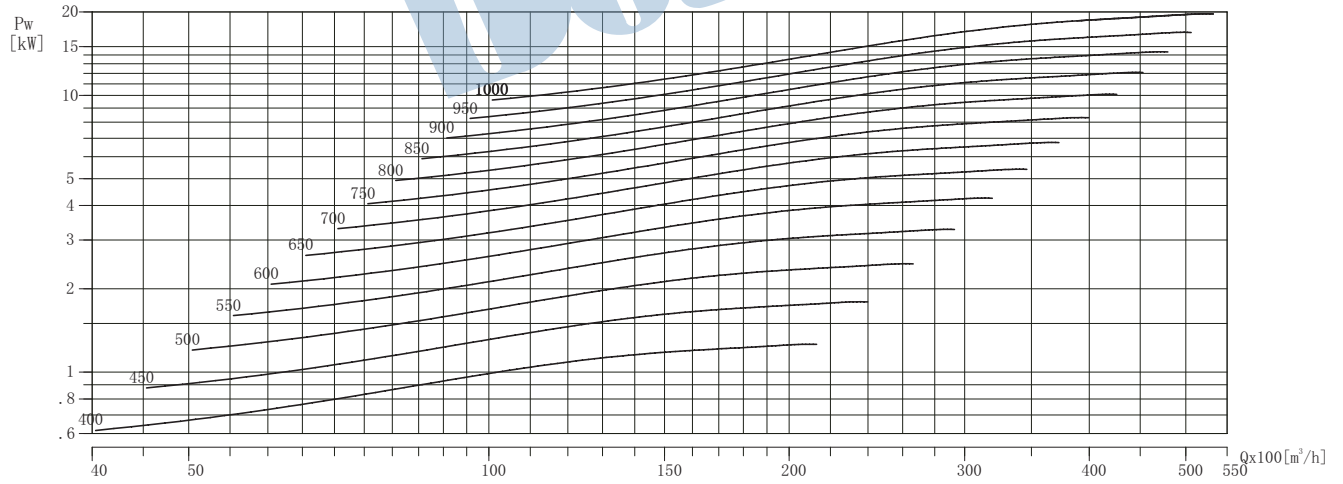
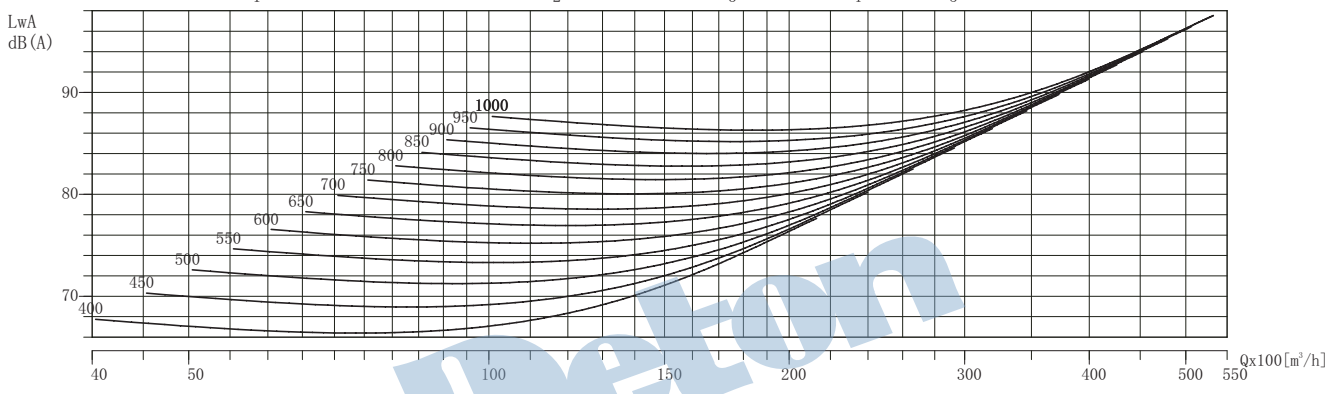
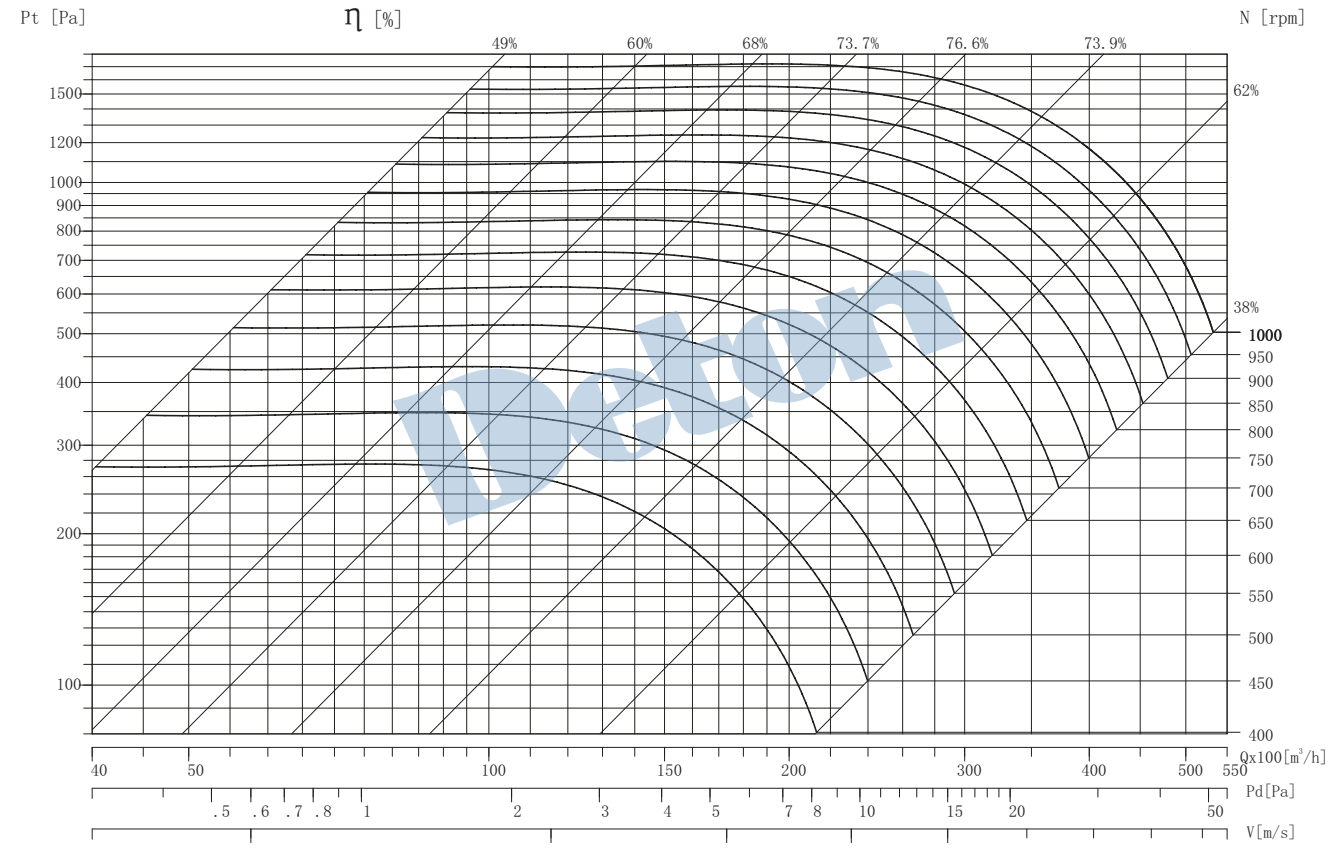


Performance shown is installation type B-free inlet, ducted outlet. Performance ratings do not include the effects of appurtenances in the airstream. Power ratings does not include drive losses.



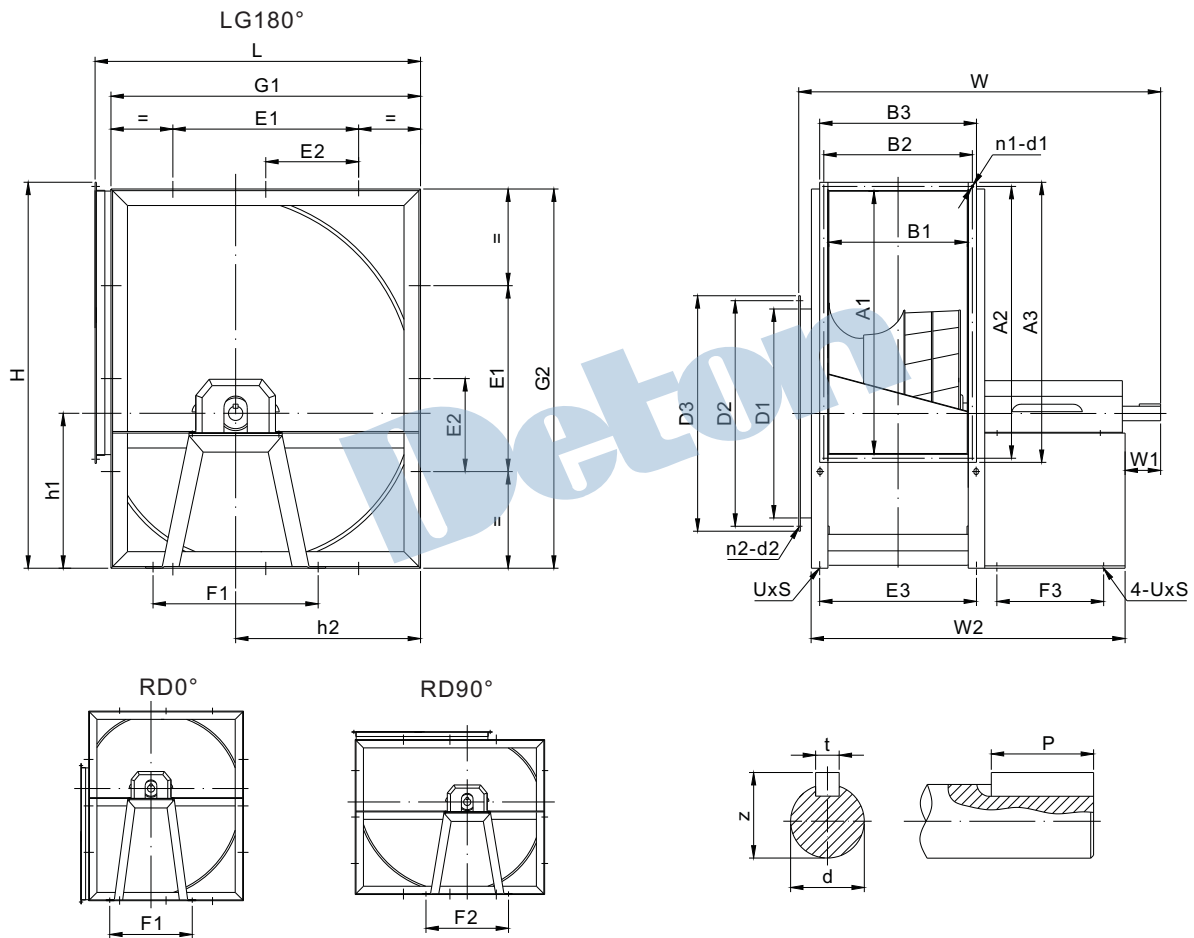
TDF1000-SWC

Air Density: 1.2 kg/m³



Performance shown is installation type B-free inlet, ducted outlet. Performance ratings do not include the effects of appurtenances in the airstream. Power ratings does not include drive losses.

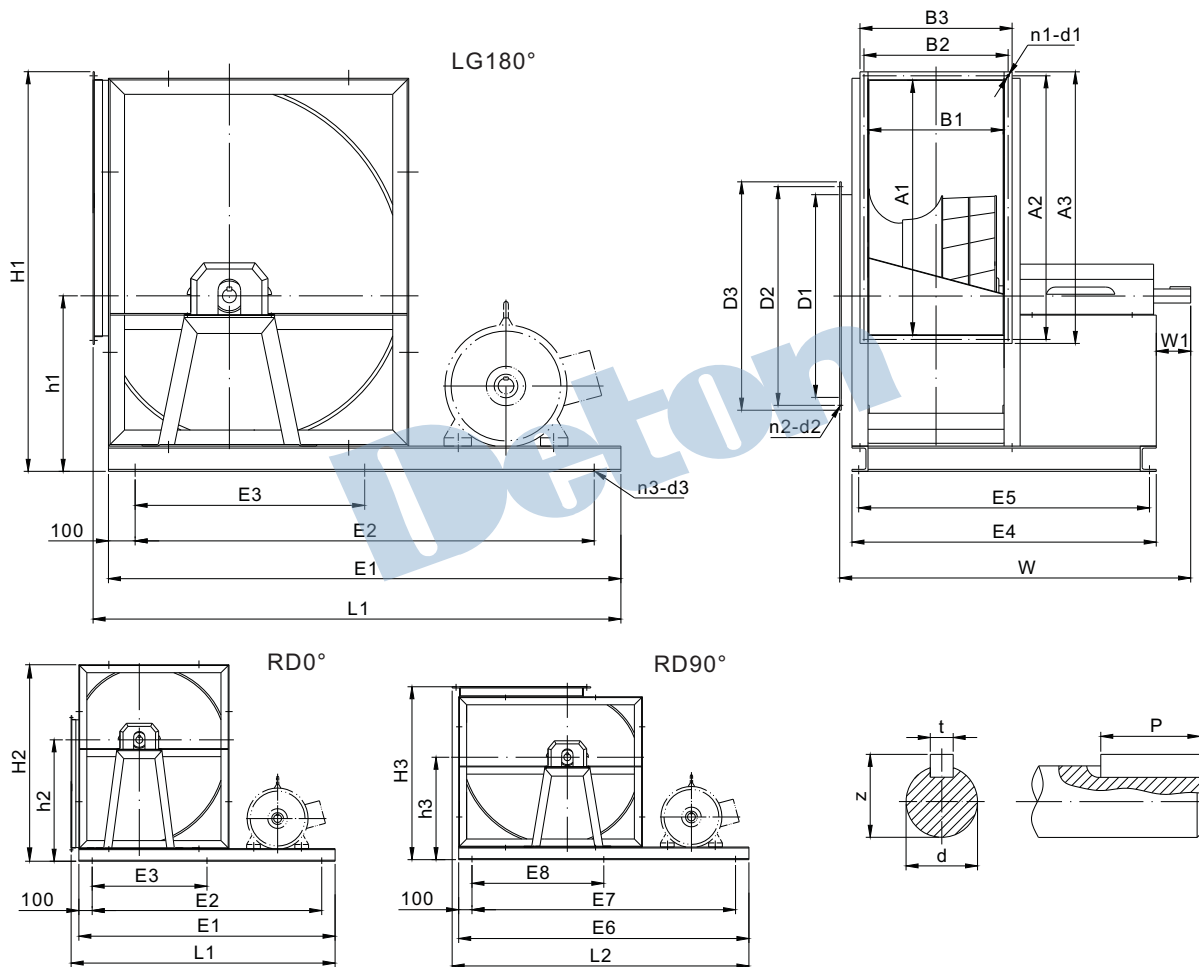
TDF-SWC dimension (Without basic frame)



Model	A1	A2	A3	B1	B2	B3	n1-d1	D1	D2	D3	n2-d2	E1	E2	E3	U×S
TDF280-SWC	361	391	421	205	235	265	8-Φ9	Φ286	Φ314	Φ332	6-Φ10	280	/	235	11×16
TDF315-SWC	404	434	464	230	260	290	8-Φ9	Φ320	Φ356	Φ380	6-Φ10	280	/	260	13×18
TDF355-SWC	452	482	512	252	282	312	8-Φ9	Φ362	Φ397	Φ420	8-Φ10	315	/	292	13×18
TDF400-SWC	506	536	566	280	310	340	8-Φ9	Φ410	Φ438	Φ464	8-Φ10	355	/	320	13×18
TDF450-SWC	568	598	628	309	339	369	8-Φ9	Φ457	Φ490	Φ520	8-Φ10	400	/	349	13×18
TDF500-SWC	638	668	698	340	370	400	8-Φ9	Φ506	Φ546	Φ570	8-Φ10	450	/	380	13×18
TDF560-SWC	714	744	774	382	412	442	10-Φ9	Φ570	Φ600	Φ636	8-Φ12	500	250	432	13×18
TDF630-SWC	800	830	860	425	455	485	10-Φ9	Φ640	Φ680	Φ710	8-Φ12	560	280	475	13×18
TDF710-SWC	898	928	958	478	508	538	12-Φ9	Φ705	Φ762	Φ800	12-Φ13	630	315	528	17×22
TDF800-SWC	1006	1036	1066	535	565	595	12-Φ9	Φ805	Φ860	Φ900	12-Φ13	710	355	585	17×22
TDF900-SWC	1130	1160	1190	600	630	660	18-Φ9	Φ905	Φ966	Φ1006	12-Φ13	800	400	650	17×22
TDF1000-SWC	1266	1296	1326	673	703	733	18-Φ9	Φ1005	Φ1074	Φ1110	12-Φ13	900	450	733	17×22

Model	F1	F2	F3	G1	G2	H	h1	h2	L	W	W1	W2	d	t	z	P
TDF280-SWC	318	308	208	432	518	543	211	251	466	616	62	524	25	8	28.3	40
TDF315-SWC	282	292	220	480	578	605	235	282	518	655	62	563	25	8	28.3	40
TDF355-SWC	351	389	240	548	654	678	265	318	578	721	70	632	30	8	33.3	50
TDF400-SWC	371	403	240	612	736	761	299	360	650	751	70	660	30	8	33.3	50
TDF450-SWC	385	407	300	681	827	852	336	404	726	838	88	729	35	10	38.3	70
TDF500-SWC	402	402	300	750	918	943	375	448	800	877	86	760	35	10	38.3	70
TDF560-SWC	444	444	300	844	1030	1053	420	502	892	965	90	854	40	12	43.3	70
TDF630-SWC	510	460	330	945	1157	1181	472	564	998	1009	90	898	40	12	43.3	70
TDF710-SWC	510	510	390	1075	1302	1325	530	636	1120	1140	110	1008	45	14	48.5	90
TDF800-SWC	630	584	394	1180	1468	1491	599	714	1254	1211	110	1070	45	14	48.5	90
TDF900-SWC	717	648	456	1319	1648	1670	670	804	1408	1356	120	1205	55	16	59	90
TDF1000-SWC	760	760	456	1450	1810	1831	735	884	1540	1434	120	1296	55	16	59	90

TDF-SWC dimension (Include basic frame)



Model	A1	A2	A3	B1	B2	B3	n1-d1	D1	D2	D3	n2-d2	H1	H2	H3	h1	h2	h3
TDF280-SWC	361	391	421	205	235	265	8-Φ9	Φ286	Φ314	Φ332	6-Φ10	593	568	516	261	357	301
TDF315-SWC	404	434	464	230	260	290	8-Φ9	Φ320	Φ356	Φ380	6-Φ10	655	628	568	285	393	332
TDF355-SWC	452	482	512	252	282	312	8-Φ9	Φ362	Φ397	Φ420	8-Φ10	728	704	628	315	439	368
TDF400-SWC	506	536	566	280	310	340	8-Φ9	Φ410	Φ438	Φ464	8-Φ10	811	786	700	349	487	410
TDF450-SWC	568	598	628	309	339	369	8-Φ9	Φ457	Φ490	Φ520	8-Φ10	902	877	776	386	541	454
TDF500-SWC	638	668	698	340	370	400	8-Φ9	Φ506	Φ546	Φ570	8-Φ10	1006	981	863	438	606	511
TDF560-SWC	714	744	774	382	412	442	10-Φ9	Φ570	Φ600	Φ636	8-Φ12	1116	1093	955	483	673	565
TDF630-SWC	800	830	860	425	455	485	10-Φ9	Φ640	Φ680	Φ710	8-Φ12	1244	1220	1061	535	748	627
TDF710-SWC	898	928	958	478	508	538	12-Φ9	Φ705	Φ762	Φ800	12-Φ13	1405	1382	1200	610	852	716
TDF800-SWC	1006	1036	1066	535	565	595	12-Φ9	Φ805	Φ860	Φ900	12-Φ13	1571	1548	1334	679	949	794
TDF900-SWC	1130	1160	1190	600	630	660	18-Φ9	Φ905	Φ966	Φ1006	12-Φ13	1770	1748	1508	770	1078	904
TDF1000-SWC	1266	1296	1326	673	703	733	18-Φ9	Φ1005	Φ1074	Φ1110	12-Φ13	1931	1910	1640	835	1175	984

Model	L1	L2	W	W1	E1	E2	E3	E4	E5	E6	E7	E8	n3-d3	d	t	z	P
TDF280-SWC	834	910	616	62	800	600	/	524	494	885	685	/	4-Φ14	25	8	28.3	40
TDF315-SWC	938	1027	655	62	900	700	/	563	533	1000	800	/	4-Φ14	25	8	28.3	40
TDF355-SWC	1030	1124	721	70	1000	800	/	632	602	1100	900	/	4-Φ14	30	8	33.3	50
TDF400-SWC	1138	1225	751	70	1100	900	/	655	625	1200	1000	/	4-Φ14	30	8	33.3	50
TDF450-SWC	1245	1385	838	88	1200	1000	/	724	694	1360	1160	/	4-Φ14	35	10	38.3	70
TDF500-SWC	1330	1475	877	86	1280	1080	/	760	720	1450	1250	/	4-Φ14	35	10	38.3	70
TDF560-SWC	1448	1623	965	90	1400	1200	600	850	810	1600	1400	700	6-Φ14	40	12	43.3	70
TDF630-SWC	1595	1773	1009	90	1540	1340	670	896	853	1750	1550	775	6-Φ14	40	12	43.3	70
TDF710-SWC	1763	1973	1140	110	1700	1500	750	1006	963	1950	1750	875	6-Φ18	45	14	48.5	90
TDF800-SWC	1924	2123	1211	110	1850	1650	825	1068	1025	2100	1900	950	6-Φ18	45	14	48.5	90
TDF900-SWC	2039	2322	1356	120	1950	1750	875	1208	1160	2300	2100	1050	6-Φ18	55	16	59	90
TDF1000-SWC	2150	2441	1434	120	2060	1860	930	1290	1243	2420	2220	1110	6-Φ18	55	16	59	90